

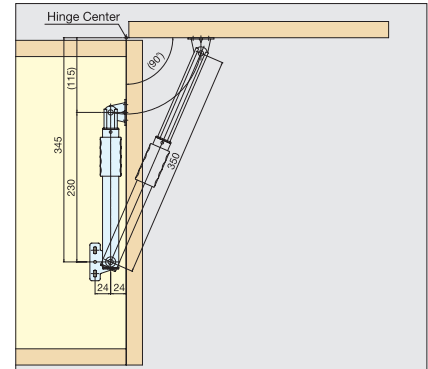
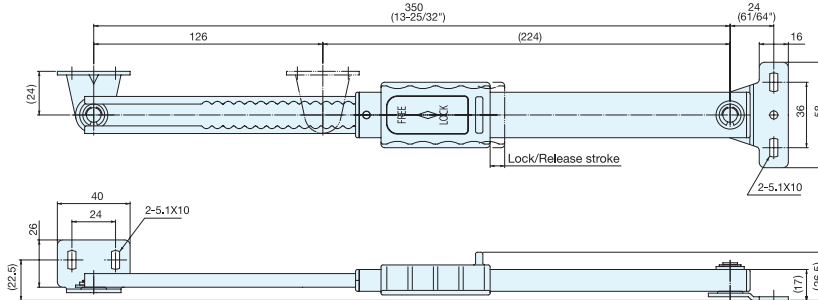
MULTI-ANGLE LID STAY (W/LOCK)



L-FS350A



- Locks lid in multiple positions by manually sliding lock lever.
- Slide back lever to lock/unlock.
- Ideal for vibration or shock applications.
- Can be installed individually or in pairs.
- Non-Handed: Can be installed on left or right side.



*Lid stay must be installed parallel to the sidewall.

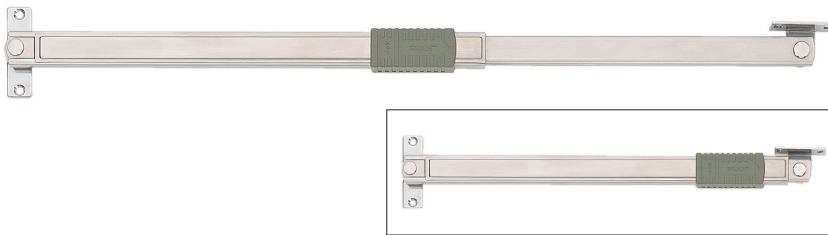
Item No.	Load Capacity (kg)	Weight (g)	Box (pcs)	Carton (pcs)
L-FS350A	25 (55 lbs)	325	5	50

Material	Finish/Color
304 Stainless Steel	Satin
Polyacetal	Dark Grey

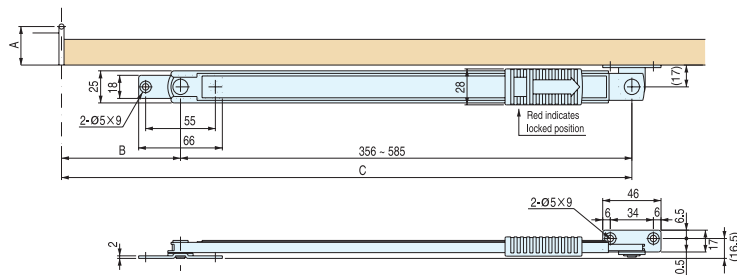
MULTI-ANGLE LID STAY



U-3005



- Locks lid in multiple positions by manually sliding lock lever.
- Slide back lever to lock/unlock.
- Ideal for vibration or shock applications.
- Can be installed individually or in pairs.
- Non-Handed : Can be installed on left or right side.
- Door opening angle: 100° maximum
- Recommended door size
Height - Max. 2,000 mm (78-3/4")
Width - 600~910 mm (23-5/8"~35-53/64")
Thickness - 25~45 mm (1"~1-3/4")
- Weight - Max. 20 kg (44 lbs)



A, B and C dimensions are for 90° door opening angle.

A	30 (1-11/64")	35 (1-3/8")	40 (1-37/64")	45 (1-49/64")	50 (1-31/32")
B	160 (6-19/64")	160 (6-19/64")	160 (6-19/64")	160 (6-19/64")	155 (6-3/32")
C	525 (20-49/64")	520 (20-15/32")	515 (20-9/32")	510 (20-5/64")	505 (19-7/8")

Item No.	Weight (g)	Box (pcs)	Carton (pcs)
U-3005	338	6	60

Material	Finish/Color
304 Stainless Steel	Satin
Polyacetal	-