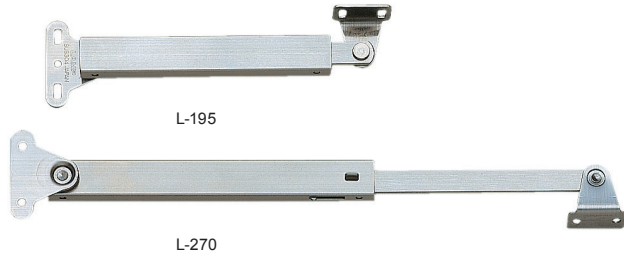


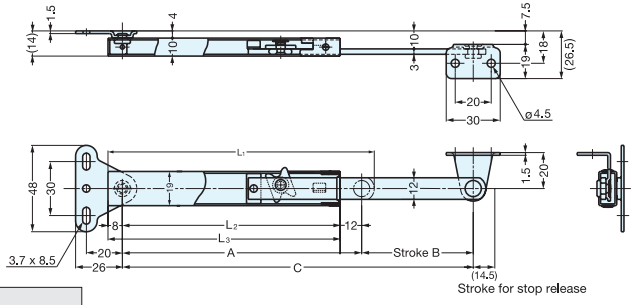
LID STAY



L

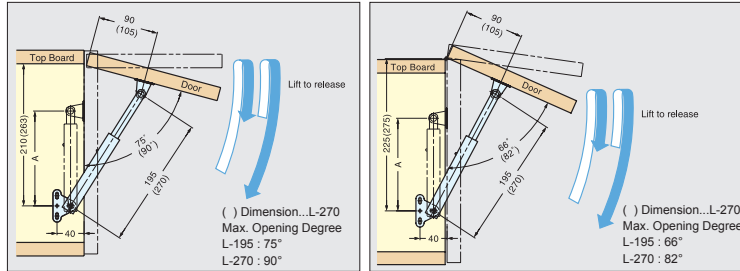


- Holds lid or panel in fully opened position.
- Lift up lid to release.
- Can be installed individually or in pairs.
- Non-Handed : Can be installed on left or right side.
- Load Capacity : 15 kg (33 lbs)/each.



With Concealed Hinge

With Piano/Butt Hinge



*Lid stay must be installed parallel to the sidewall.

Material	Finish
304 Stainless Steel	Satin

Item No.	L ₁	L ₂	L ₃	(A)	(B)	C	Door Height (mm)	Weight (g)	Box (pcs)	Carton (pcs)
L-195	148 (5-53/64")	121	129	133 (5-15/64")	62	195 (7-43/64")	250~350 (9-27/32"~13-25/32")	125	10	100
L-270	185 (7-9/32")	158	166	170 (6-11/16")	100	270 (10-5/8")	320~500 (12-19/32"~19-11/16")	150		

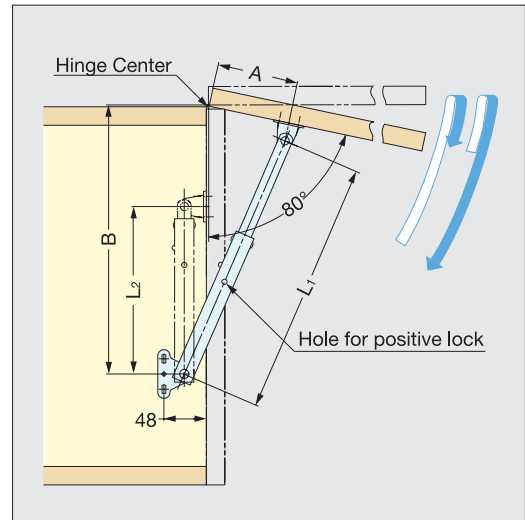
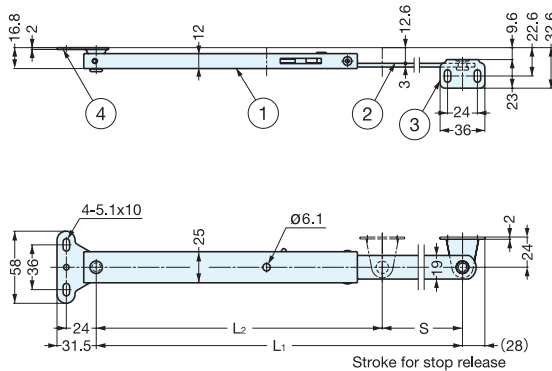
LID STAY



LB



- Holds lid or panel in fully opened position.
- Lift up lid to release.
- Can be installed individually or in pairs.
- Non-Handed : Can be installed on left or right side.



No	Part Name	Material	Finish
①	Housing	304 Stainless Steel	Satin
②	Arm		
③	Housing Bracket		
④	Arm Bracket		

Item No.	L ₁	L ₂	S	A	B	Load Capacity (kg)	Box (pcs)	Carton (pcs)
LB-200	200 (7- 7/8")	(155) (6-3/32")	45	56	219	30 (66 lbs)	10	40
LB-350	350 (13-25/32")	(230) (9-3/64")	120	128	364	25 (55 lbs)		20
LB-500	500 (19-11/16")	(305) (12-1/64")	195	195	510	20 (44 lbs)		