

SELF OPENING STAY



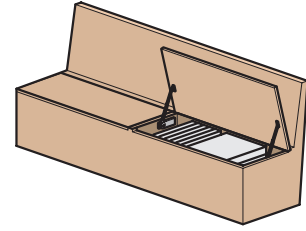
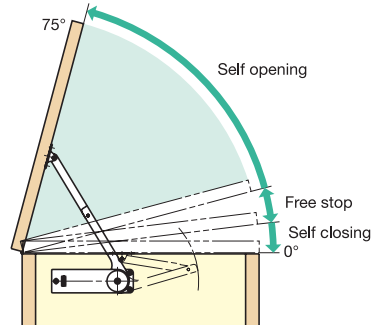
HDS-20S

LID SUPPORTS

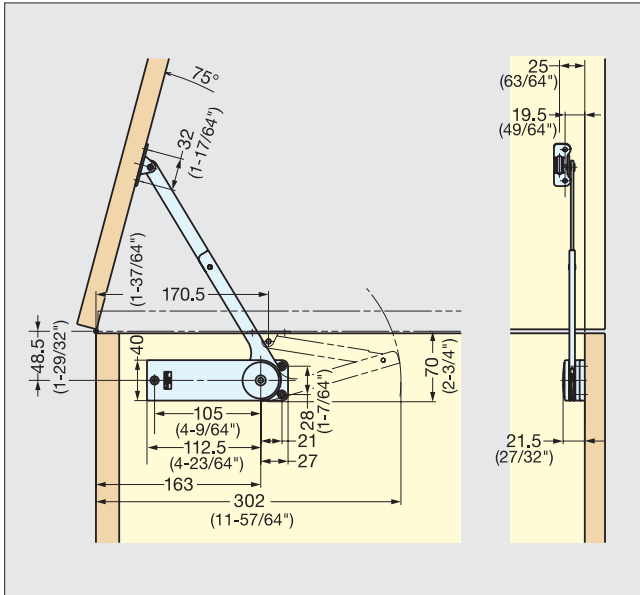
SELF OPENING STAYS



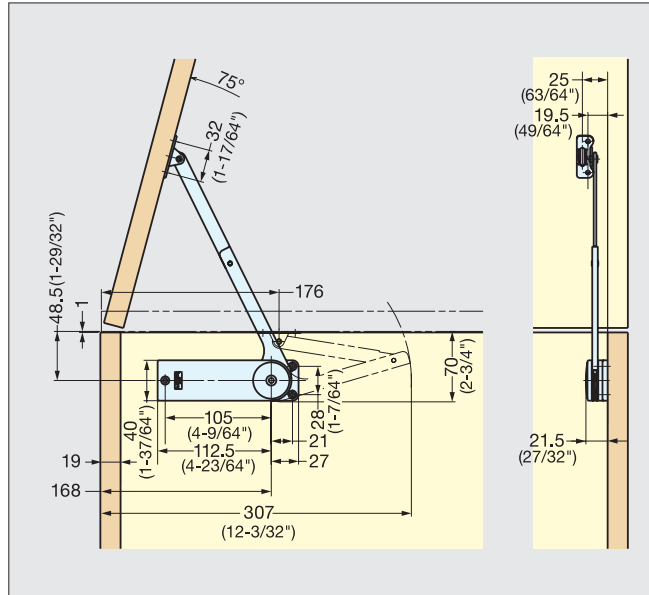
- Lid will self open past the free stop angle.
- For TOP-OPENING FLAP DOOR used with piano, butt or concealed hinges.
- HDS-20S is designed to hold door in fully opened position.
- Used in pairs.
- Torque Calculation:
 $\text{Torque} = \text{Door Height} \times 1/2 \times \text{Door Weight}$
 H-Type : 70~110 kg·cm (61~95 lbs·in)/pair
 S-Type : 111~150 kg·cm (96~130 lbs·in)/pair



With Piano/Butt Hinge



With Concealed Hinge



Item No.		Type	Torque (kg·cm/pair)	Weight (g)	Box (pcs)	Carton (pcs)
Left	Right					
HDS-20S/HL-BL	HDS-20S/HR-BL	H	70~110 kg·cm (61~95.45 lbs·in)	300	40	200
HDS-20S/HL-WT	HDS-20S/HR-WT					
HDS-20S/SL-BL	HDS-20S/SR-BL	S	111~150 kg·cm (96~130 lbs·in)	300	40	200
HDS-20S/SL-WT	HDS-20S/SR-WT					

Material	Finish/Color
Steel	Nickel
Plastic	Black/White