

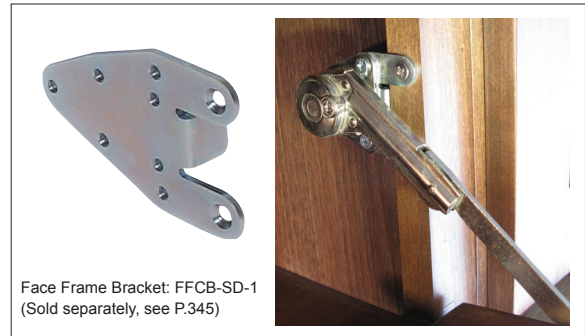
ADJUSTABLE SOFT-DOWN STAY



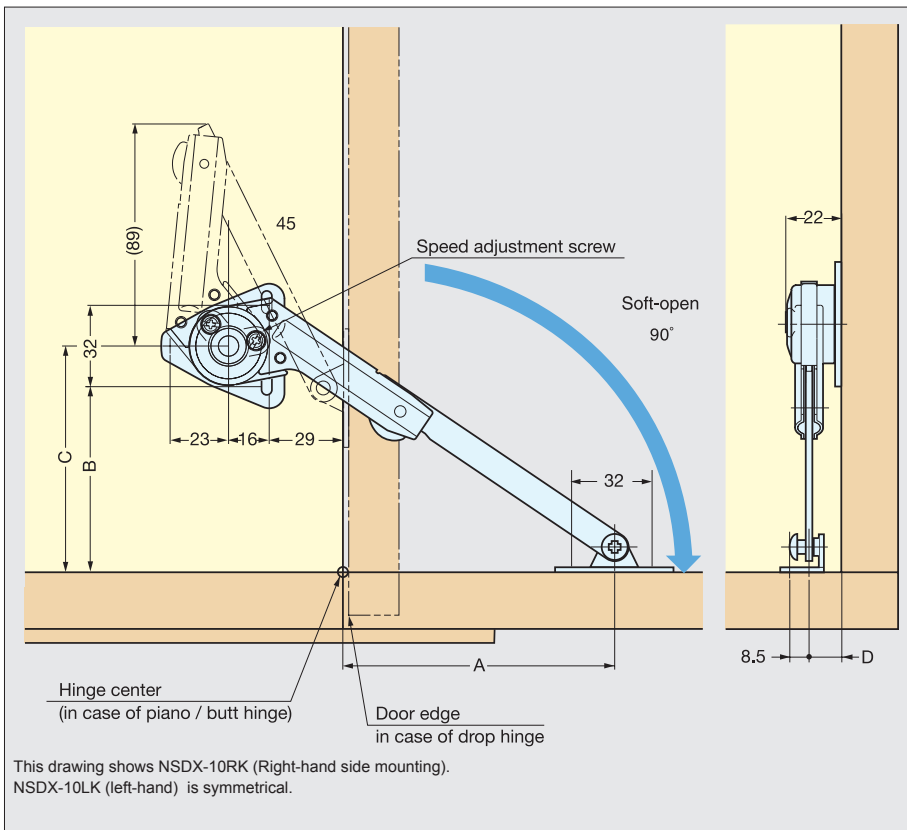
NSDX-10



- For DOWNWARD-OPENING FLAP DOOR used with piano, butt or drop Hinges (SDH-001, SDH-P, P.238).
- NSDX-10 is designed to hold door in closed position.
- Speed adjustment screw located on front for easy adjustment.
- Torque Calculation:
 $\text{Torque} = \text{Door Height} \times 1/2 \times \text{Door Weight}$
 Per Piece: 20~70 kg·cm (19~60 lbs·inch)
 Per Pair: 40~140 kg·cm (38~120 lbs·inch)

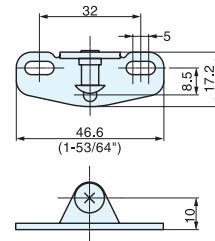


Face Frame Bracket: FFCB-SD-1
(Sold separately, see P.345)

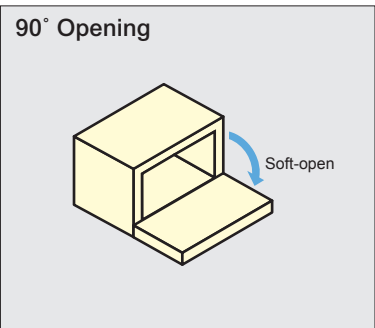


This drawing shows NSDX-10RK (Right-hand side mounting).
NSDX-10LK (left-hand) is symmetrical.

NSDX-SZ
(Included)
Mounting Plate for wooden door, screw-on type.



Arm Mounting Plate



Hinge Type	A	B	C	D
☆ Drop Hinge (SDH-001)	97	91	107	11
Piano/Butt Hinge	90	99	115	

☆ In case overlay 16 mm

Item No.	Weight (g)	Box (pcs)	Carton (pcs)
NSDX-10RK Right	181	20	80
NSDX-10LK Left			

Material	Finish
Zinc Alloy	Nickel
Steel	