

CONCEALED HINGE

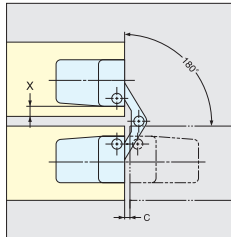
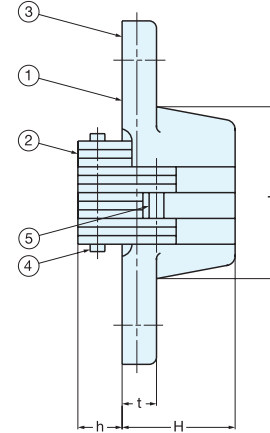
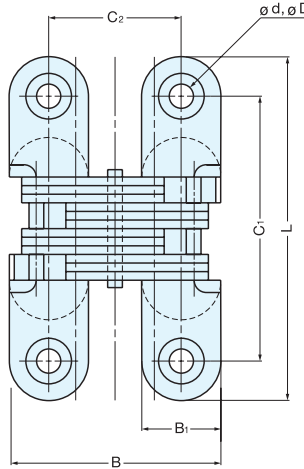
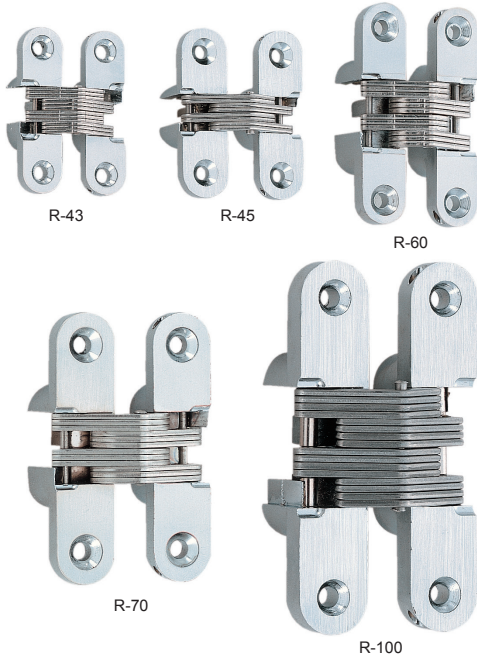


R SERIES

HINGES

CONCEALED HINGES

• Door size : Max. W450 × H700 × t21 mm
(W17-23/32" × H27-9/16" × t53/64")

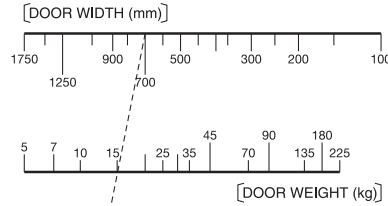


Distance between door edge and hinge must be less than the figures shown in column "X" of the dimension table below.

To determine the number of hinges required for each door:

• Using the chart to the right, locate the correct door width (upper scale) and door weight (lower scale). Draw a line connecting these 2 points to the chart below (point "a"). Then draw a vertical line through the lower chart to find the number and type of hinges required.

• Check door thickness requirements.



Item No.	No. of Hinges (pcs)
R- 43	3
R- 45	3
R- 60	3
R- 70	2
R-100	2

[In case of door width, 700 mm and door weight, 15 kg]

Item No.	Required Number Of Hinges (pcs)				"a"	Min. Door Thickness
R-43	2	3	4			13 mm
R-45	2	3	4			19 mm
R-60	2	3	4			19 mm
R-70	2	3	4			25 mm
R-100	2	3	4			29 mm

No.	Part Name	Material	Finish
①	Body	Zinc Alloy	Satin Chrome
②	Link Arm	304 Stainless Steel	Plain
③	Pin A	R-43~70: 304 Stainless Steel	
		R-100: Steel	
④	Pin B	R-70: 303 Stainless Steel	
		R-43-60, 100: Stainless Steel	
⑤	Pin C	R-43-60: 304 Stainless Steel	
		R-70: 303 Stainless Steel	
		R-100: Steel	
*	Roller	R-100: Steel	Nickel

Item No.	L	L ₁	B	B ₁	C ₁	C ₂	H	h	t	D	d	C	X	Arm (qty)	Weight (g)	Box (pcs)	Carton (pcs)	Screw
R-43	43 (1-11/16")	22	29.0 (1-9/64")	11.0	32	18.0	13.0	(5.0)	5.0	6.2	3.5	0.8	2.3	12	37	30	300	3.1 × 16
R-45	45 (1-25/32")	19	35.7 (1-13/32")	13.0	32	22.7	18.5	(6.0)	5.0	7.0	3.5	0.8	3.0	8	56	20	200	3.1 × 20
R-60	60 (2-23/64")	33	35.2 (1-25/64")	13.0	47	22.2	18.5	(6.5)	6.5	8.3	4.3	1.0	3.0	12	94	10	100	3.5 × 20
R-70	70 (2-3/4")	35	42.6 (1-43/64")	16.1	53	26.6	23.0	(9.0)	7.0	9.1	4.6	1.2	3.5	12	157	10	100	4.0 × 25
R-100	100 (3-15/16")	52	53.2 (2-3/32")	20.0	80	33.2	27.5	(9.5)	9.5	10.0	5.3	1.8	4.8	16	342	10	60	4.5 × 32