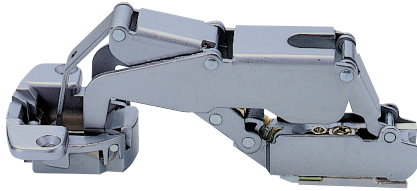


CONCEALED HINGE (18mm OVERLAY)



H160-34/18, H160-C34/18



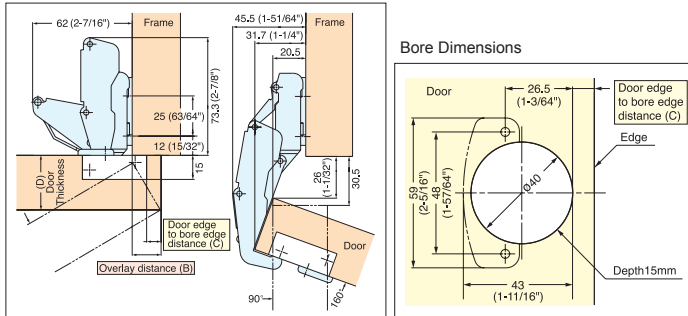
■ Door edge to bore edge distance (C) and Overlay distance (B) Table 1.

Door edge to bore edge distance (C)	5	6	7	8	9
Overlay distance (B)	14	15	16	17	18

■ Hinge side opening clearance chart Table 2.

Door thickness (D)	Door edge to bore edge distance (C)				
	5	6	7	8	9
33	0.2				
34	0.3	0.3	0.3	0.3	0.3
35	0.7	0.7	0.7	0.6	0.5
36	2.7	2.3	1.6	1.3	0.9
37	3.8	3.2	2.6	2.1	1.6
38	4.8	4.2	3.5	2.9	2.4
39	5.7	5.1	4.4	3.9	3.3
40	6.6	6.0	5.4	4.7	4.2
Hinge side O.C. (B)					

*Mounting Plate sold separately. See P.307



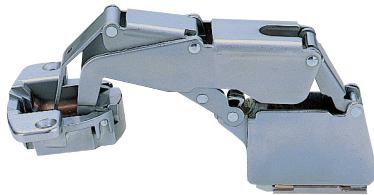
Item No.	Type	Weight (g)	Carton (pcs)
H160-34/18	Free Swinging	205	100
H160-C34/18	Self-Closing		

Material	Finish	Finish
Body	Steel	Satin Chrome
Cup	Zinc Alloy	

CONCEALED HINGE (INSET)



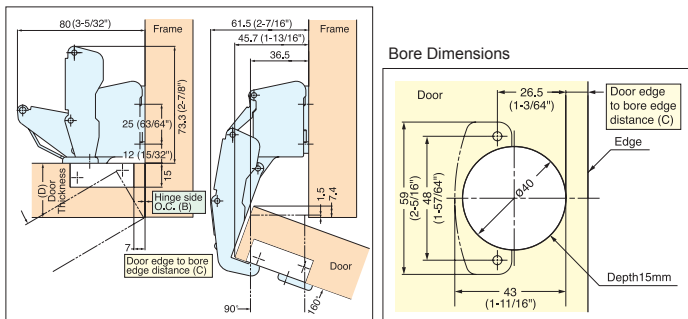
H160-34/0, H160-C34/0



■ Hinge side opening clearance chart

Door thickness (D)	Door edge to bore edge distance (C)				
	3	4	5	6	7
30	0.1				
31	0.1	0.1	0.1	0.1	0.1
32	0.2	0.2	0.2	0.2	0.2
33	0.2	0.2	0.2	0.2	0.2
34	0.3	0.3	0.3	0.3	0.3
35	0.9	0.9	0.9	0.8	0.8
36	3.4	3.1	2.8	2.2	1.6
Hinge side O.C. (B)					

*Mounting Plate sold separately. See P.307



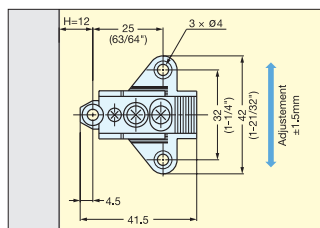
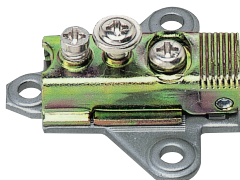
Item No.	Type	Weight (g)	Carton (pcs)
H160-34/0	Free Swinging	250	100
H160-C34/0	Self-Closing		

Material	Finish	Finish
Body	Steel	Satin Chrome
Cup	Zinc Alloy	

MOUNTING PLATE FOR H160 SERIES HINGES



100-04A-W-32



*Can be used with Face Frame Bracket FFCB-HG-1 (See P.344).

Item No.	Weight (g)	Carton (pcs)
100-04A-W-32	23	400
Part Name	Material	Finish
Body	Steel	Satin Chrome