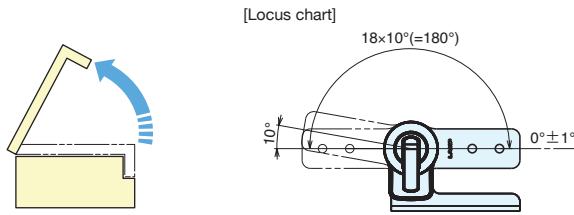


MULTI ANGLE LOCKING HINGE

HG-MA95B

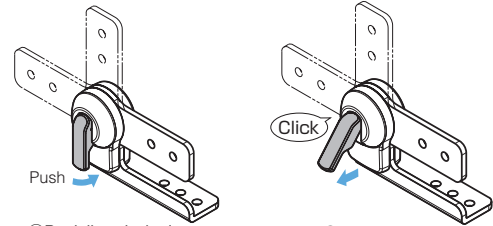


- Easily adjusts the flap angle by toggling the lever.
- Lock allows the hinge to be held in position from 0° to 180° in 10° increments.
- The flap is temporarily unlocked while the lever is pushed.
- The flap stays unlocked when the lever is lifted.
- Both hinge types can be used together.
- Medical equipment, analytical instruments, semiconductor equipment.



Holds in position at angles in 10° increments

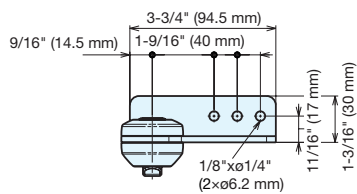
[Two ways to unlock]



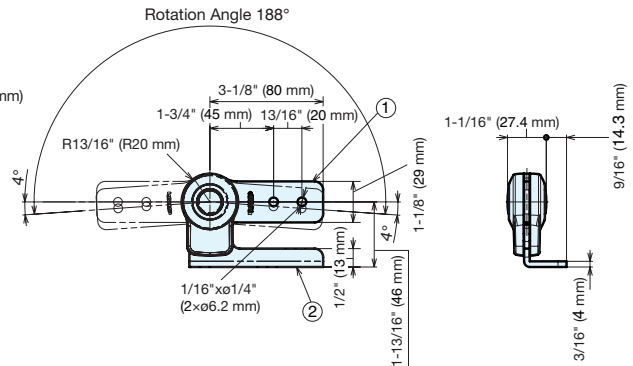
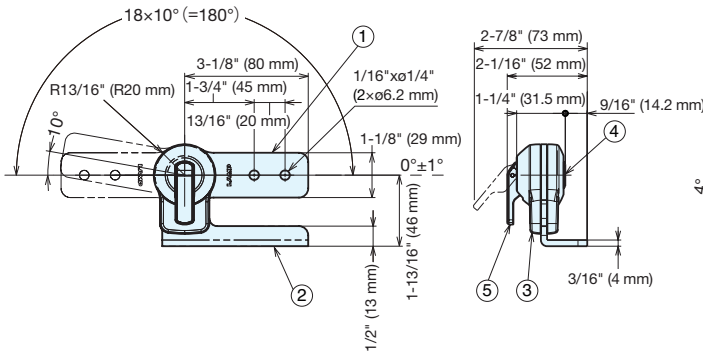
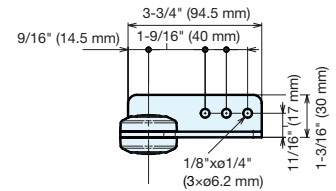
① Partially unlocked
The flap is temporarily unlocked while the lever is pushed.

② Fully unlocked
The flap stays unlocked when the lever is lifted.

[HG-MA95B-L]



[HG-MA95BF-L]



Left-handed shown. Right-handed is symmetrical.

No.	Part Name	Material	Finish
①	Bracket	Steel	Nickel
②	Base		
③	Plastic Cover	PC	Black
④	Pin	ABS	
⑤	Lever	PA	Light Gray

Item No.	Position	Type	Max Torque lb.in / pc	Weight (g)
HG-MA95B-R	Right-handed	With lever	398.3	305
HG-MA95B-L	Left-handed			305
HG-MA95BF-R	Right-handed	Without lever	-	305
HG-MA95BF-L	Left-handed			305