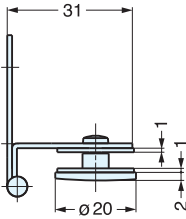


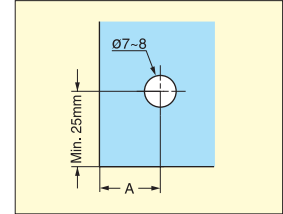
INSET GLASS DOOR LIFT-OFF HINGE



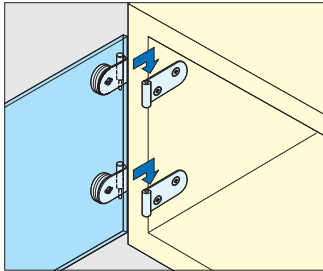
GH-36/NCR



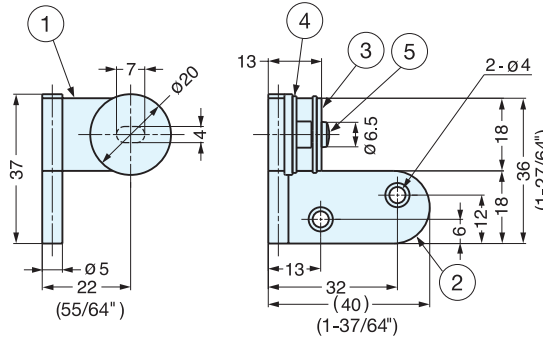
- Lift-off Hinge for glass/acrylic doors.
- Door thickness: 4-6 mm
- Door size: Max. W450 × H700 (W17-3/4" × H27-9/16")
- Door weight: Max. 4 kg/pair (8.8 lbs/pair)



Cut Out Dimension



Installation



Glass Thickness (mm)	A (mm)
4	19
5	18
6	17

No.	Part Name	Material	Finish
①	Body	Steel	Chrome
②			
③	Plate	Brass	
④	Washer	PVC	Clear
⑤	Screw	Steel	Nickel

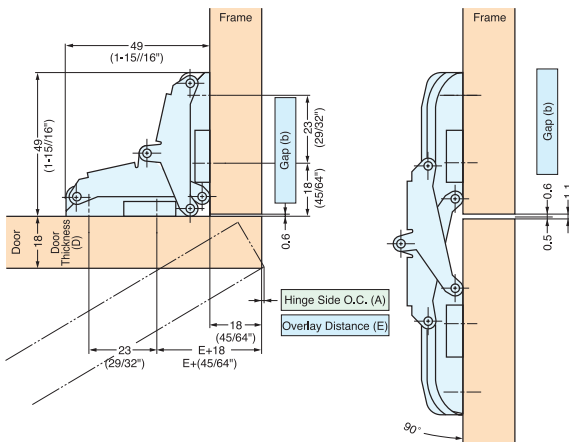
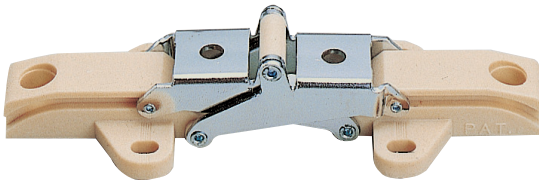
Item No.	Weight (g)	Box (pcs)	Carton (pcs)
GH-36/NCRL GH-36/NCRR	24.5	100	400

CONCEALED HINGE



T-90-200

- Concealed hinge for either inset or overlay installation.



■ Door Thickness (D) and Gap (b) Table 1.

Door thickness (D)	15	16	17	18
Gap (b)	0.2	0.3	0.5	0.6

■ Hinge side opening clearance chart Table 2.

Door thickness (D)	Overlay distance (E)			
	15	16	17	18
15	1.1	0.5	0	0
16	2.0	1.4	0.8	0.2
17	2.9	2.3	1.7	1.1
18	3.8	3.2	2.6	2.0

Hinge side O.C. (A)

Item No.	Weight (g)	Box (pcs)
T-90-200	45	200

Part Name	Material	Finish
Arm	Polyamide	Ivory
Body	Steel	Chrome