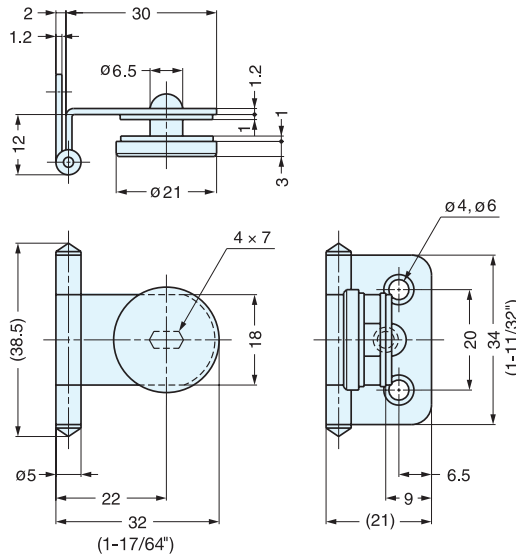
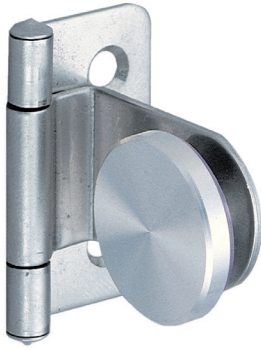


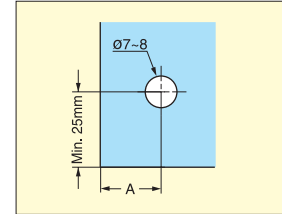
# INSET GLASS DOOR HINGE



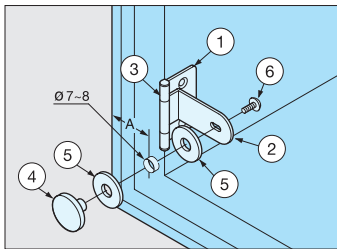
# GH-34/0/S



- Hinge for glass/acrylic doors.
- Door thickness: 4~6 mm
- Door size: Max. W450 × H700 (W17-3/4" × H27-9/16")
- Door weight: Max. 4 kg/pair (8.8 lbs/pair)



Cut Out Dimension



Installation

Glass Thickness (mm)	A (mm)
4	19
5	18
6	17

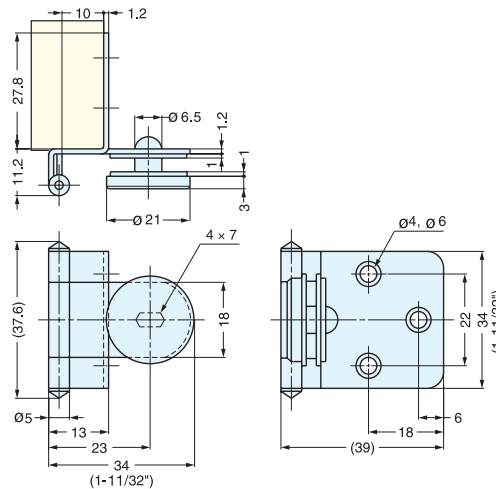
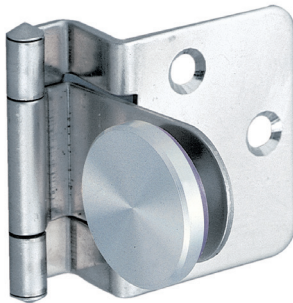
No.	Part Name	Material	Finish
①	Body	304 Stainless Steel	Plain
②	Arm		
③	Hinge Pin	Aluminum	Anodized
④	Plate	PVC	Clear
⑤	Washer	304 Stainless Steel	Plain
⑥	Screw		

Item No.	Weight (g)	Box (pcs)	Carton (pcs)
GH-34/0/S	15	150	900

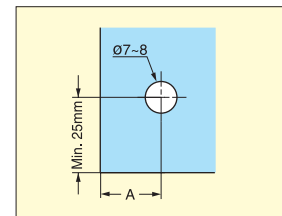
# HALF OVERLAY GLASS DOOR HINGE



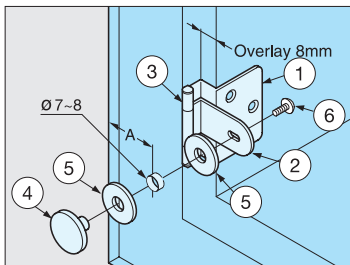
# GH-34/8/S



- Half overlay.
- Hinge for glass/acrylic doors.
- Door thickness: 4~6 mm
- Door size: Max. W450 × H700 (W17-3/4" × H27-9/16")
- Door weight: Max. 4 kg/pair (8.8 lbs/pair)



Cut Out Dimension



Installation

Glass Thickness (mm)	A (mm)	Overlay (mm)
4	19	8
5	18	7
6	17	6

No.	Part Name	Material	Finish
①	Body	304 Stainless Steel	Plain
②	Arm		
③	Hinge Pin	Aluminum	Anodized
④	Plate	PVC	Clear
⑤	Washer	304 Stainless Steel	Plain
⑥	Screw		

Item No.	Weight (g)	Box (pcs)	Carton (pcs)
GH-34/8/S	21	100	600