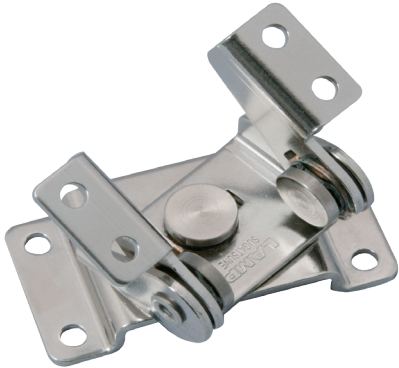


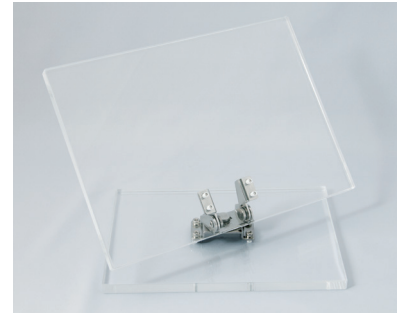
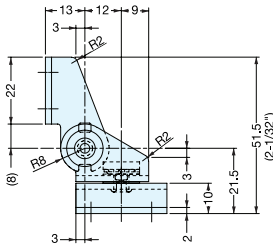
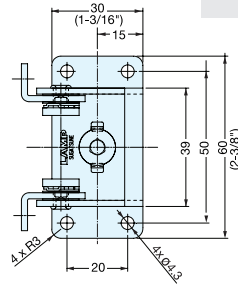
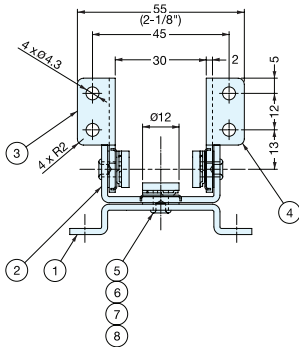
# TORQUE HINGE (DUAL AXIS)



## HG-T30S15



- Dual Axis: Free stop between 0°~200° (Tilting) and 360° (swiveling).
- Provides torque stability in both directions.
- Suitable for monitor screens.
- Successfully passed 20,000 open/close private cycle tests.



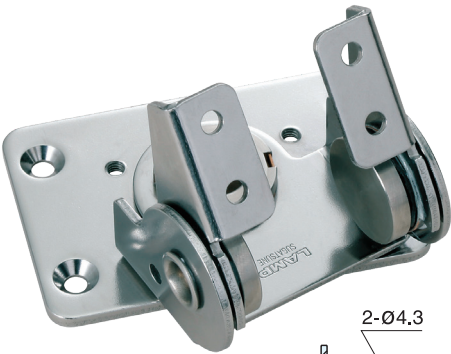
Item No.	Torque per piece (tilting)	Torque per piece (swiveling)
HG-T30S15	26.5 lbs-in ± 20%	13.0 lbs-in ± 20%

No.	Part Name	Material	Finish
①	Body	430 Stainless Steel	Polished
②	Base		
③	Bracket	303 Stainless Steel	Plain
④			
⑤	Shaft	303 Stainless Steel	Plain
⑥	Press Washer	Phosphor Bronze	Polished
⑦	Pin		-
⑧	Washer	Steel	Plain

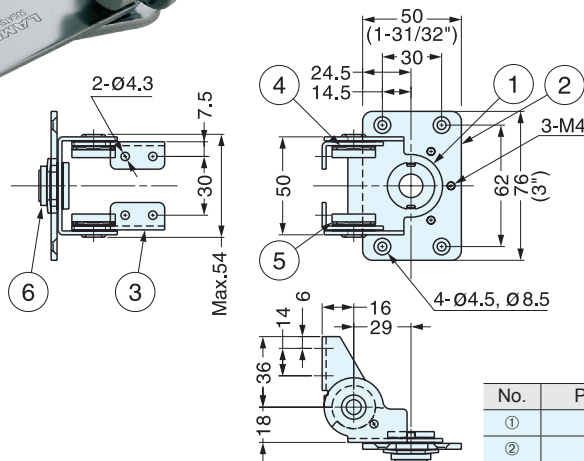
# TORQUE HINGE (DUAL AXIS)



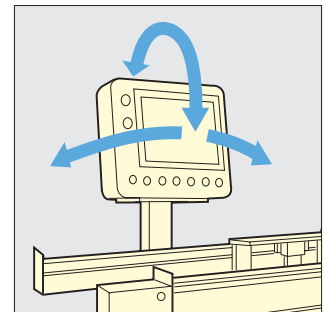
## HG-T70S30



- Dual Axis: free stop at any angle in tilt & swivel.
- Provides torque stability in both directions.
- Suitable for monitor screens.



Dual AXIS Torque Hinge



Item No.	Torque per piece (tilting)	Torque per piece (swiveling)
HG-T70S30	62 lbs-in ± 20%	26.6 lbs-in ± 20%

No.	Part Name	Material	Finish
①	Body	430 Stainless Steel	Polished
②	Base		
③	Bracket	Steel/ Phosphor Bronze	Plain
④	Spring Washer		
⑤	Shaft	303 Stainless Steel	
⑥	Washer	430 Stainless Steel	Polished