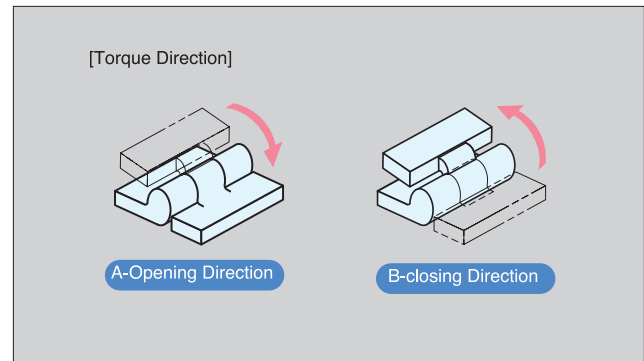
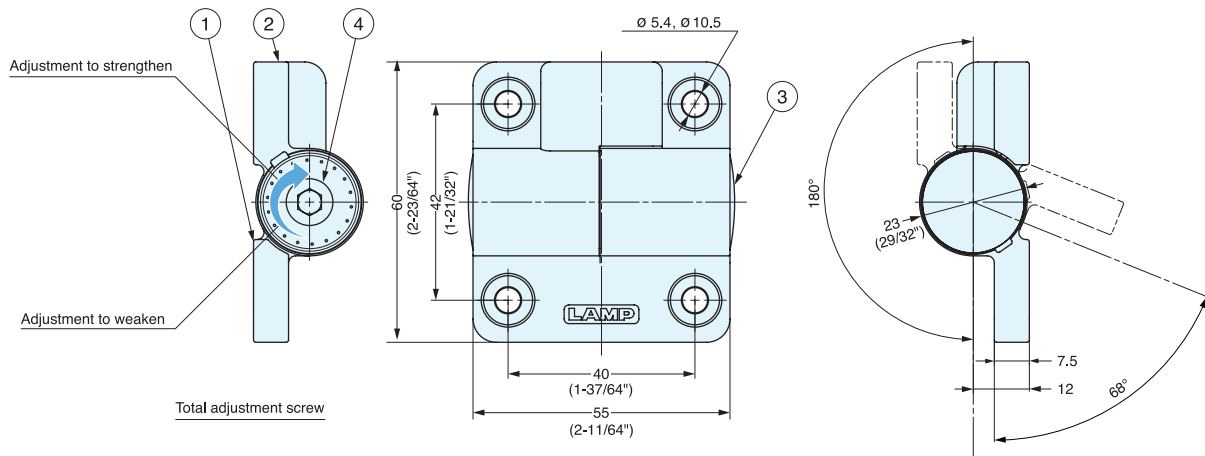
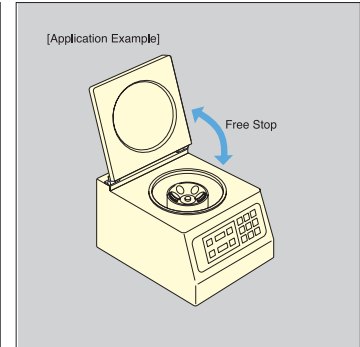
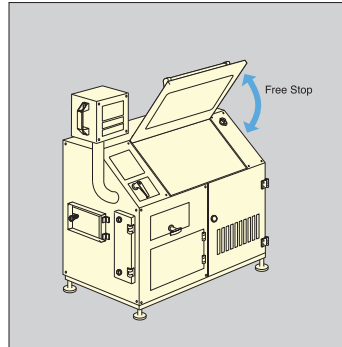
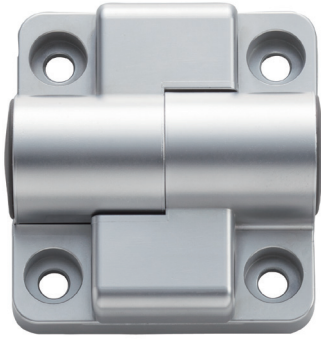




# 1-WAY TORQUE HINGE (ADJUSTABLE)

# HG-TQJ100

- Friction in one direction only.
- Torque strength adjustable.
- 2 versions available for friction torque at "opening" direction (type - A) and at closing direction (type - B).



Item No.	Torque Direction	Torque per piece (kgf-cm)
HG-TQJ100-A	Opening	0~102 (0~88.7 lbs-in)
HG-TQJ100-B	Closing	

No.	Part Name	Material	Finish
①	Bracket A	Zinc Alloy	Satin Chrome
②	Bracket B		
③	Cover Cap	Polypropylene	Dark Grey
④	Torque adjustment screw	Steel	-