

# DETENT HINGE



# HG-MPS2

HINGES

DETENT HINGES

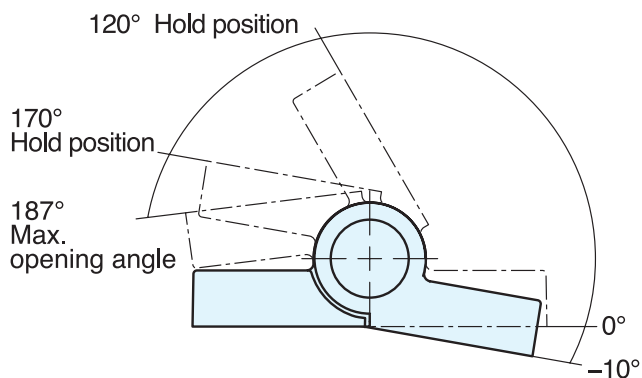
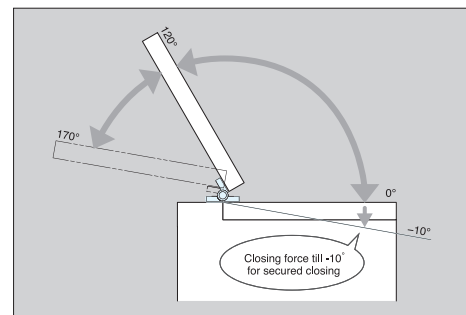
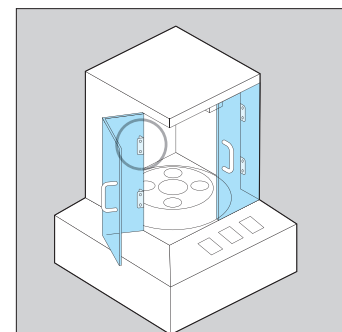
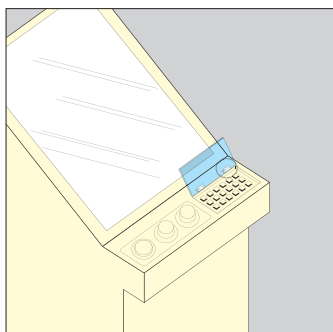
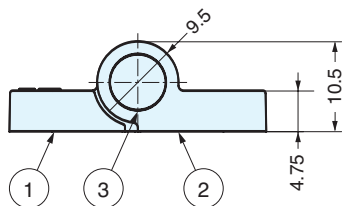
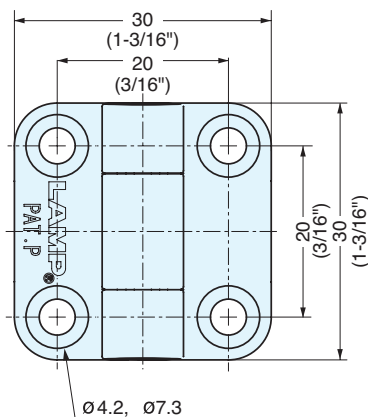


White



Black

- Plastic hinge holds doors at 3 different positions (-10°, 120°, 170°).
- Door weight: Max 1.0kg/pair (2.2lbs/pair).
- Ideal for small equipment with light weight doors such as measuring devices, medical equipment, etc.
- Additional stopper recommended at 0° and 170°.



Item No.	Weight (g)	Box (pcs)	Carton (pcs)
HG-MPS2-BL	6.9	20	200
HG-MPS2-WT			

No.	Part Name	Material	Finish
①	Body A	PBT	White/Black
②	Body B		
③	Cap	ABS	