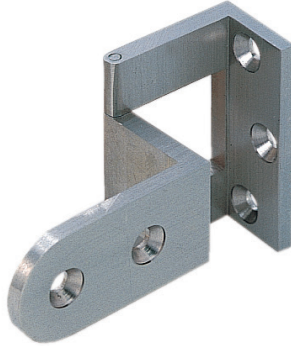


# OVERLAY DOOR ANGLE HINGE

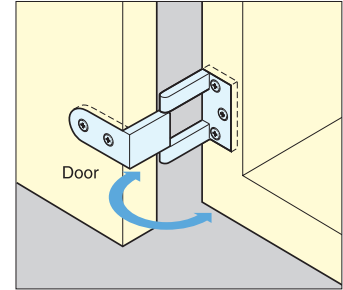
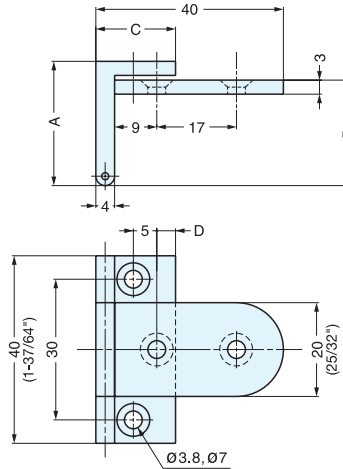


AHS

- Recommended Door Specifications:  
 Thickness: Recess Mount-for AHS-20, 22.5 mm (7/8"); for AHS-24, 27 mm (1-1/16")  
 Surface Mount-for AHS-20, 19.5 mm (3/4"); for AHS-24, 24 mm (1")  
 Width: Max. 450 mm (17-3/4")  
 Height: Max. 700 mm (27-9/16")  
 Weight: Max. 2.6 kg (5.7 lbs) per pair



AHS-24/SN



Material	Finish
Brass	Satin Nickel (SN)

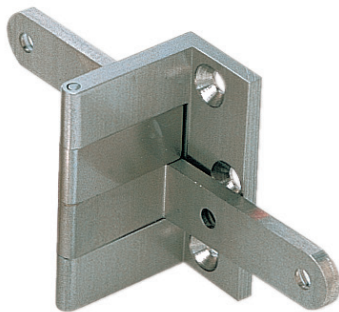
Item No.	A	B	C	D	Weight (g)	Box (pcs)	Carton (pcs)
AHS-20/SN	26.5 ( 1-3/64" )	22.5	17 (43/64")	4.0	61	20	360
AHS-24/SN	30.5 (1-13/64")	27.0	20 (25/32")	5.5	69		

# OVERLAY DOOR ANGLE HINGE

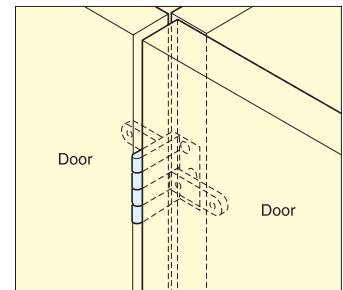
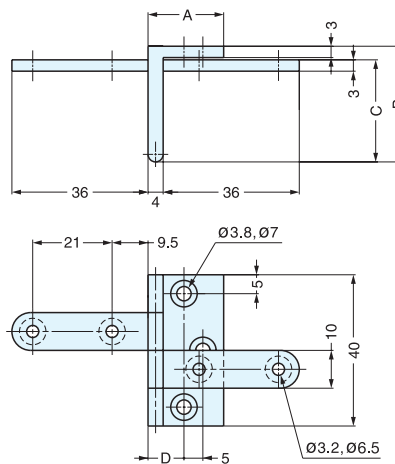


AHW

- Recommended Door Specifications:  
 Thickness: Recess Mount-for AHW-20, 22.5 mm (7/8"); for AHW-24, 27 mm (1-1/16")  
 Surface Mount-for AHW-20, 19.5 mm (3/4"); for AHW-24, 24 mm (1")  
 Width: Max. 450 mm (17-3/4")  
 Height: Max. 700 mm (27-9/16")  
 Weight: Max. 2.6 kg (5.7 lbs) per pair



AHW-24/SN



Material	Finish
Brass	Satin Nickel (SN)

Item No.	A	B	C	D	Weight (g)	Box (pcs)	Carton (pcs)
AHW-20/SN	17 (43/64")	26.5 ( 1-3/64" )	22.5	8.0	61	25	200
AHW-24/SN	20 (25/32")	30.5 ( 1-13/64" )	27.0	9.5	69	20	80