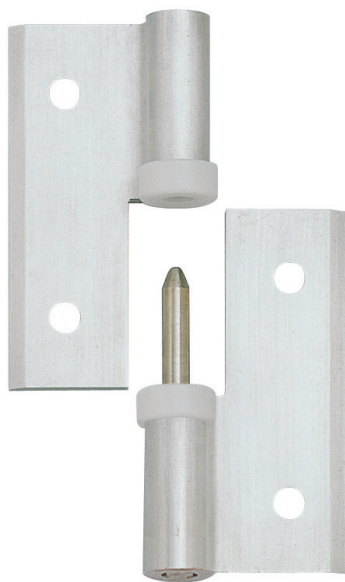


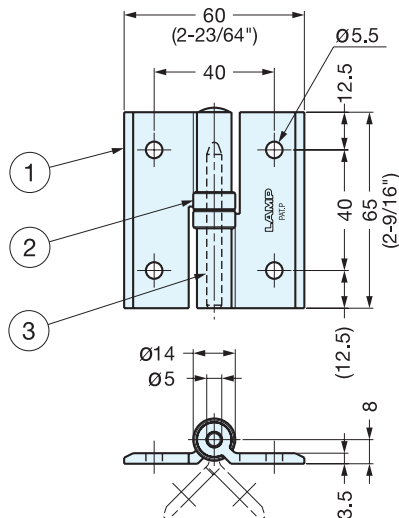
CLEAN ROOM HINGE (W/BUSHING)



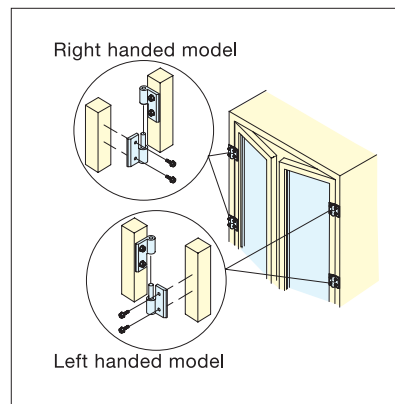
HG-CV65N



Left-Hand Opening



- No metal-to-metal contact.
- Polyacetalz bushings minimize particles.
- Ideal for clean room application.



Installation Example

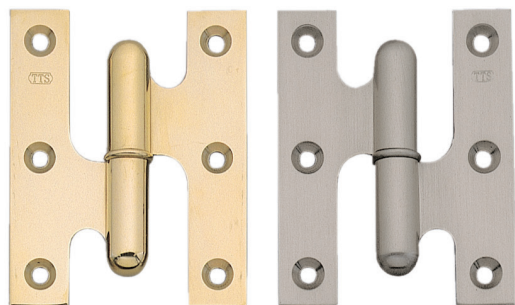
| Item No. | Type | Weight (g) | Box (pcs) | Carton (pcs) |
|-----------|------------|------------|-----------|--------------|
| HG-CV65NR | Right Hand | 49 | 20 | 200 |
| HG-CV65NL | Left Hand | | | |

| No. | Part Name | Material | Finish |
|-----|-----------|---------------------|----------|
| ① | Body | Aluminum | Anodized |
| ② | Bushing | Polyacetalz | White |
| ③ | Hinge Pin | 303 Stainless Steel | - |

LIFT-OFF HINGE

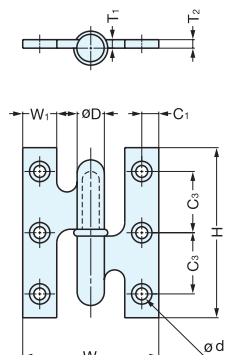


200 SERIES

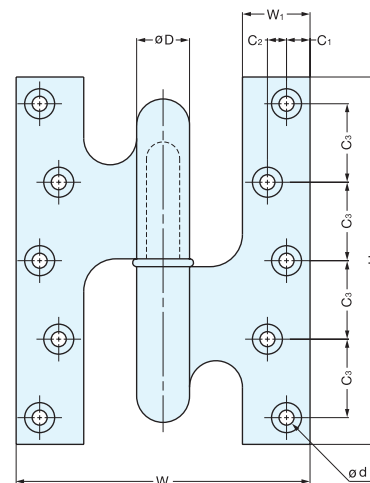


PB (Right)

SN (Left)



201 L/R-203 L/R



204 L/R-205 L/R

Please specify the finish when ordering.

Left hand hinge: If door is pulled open towards your left side.
Right hand hinge: If door is pulled open towards your right side.

| Material | Finish |
|----------|--|
| Brass | Polished Brass (PB), Satin Nickel (SN), Chrome (CR) |

| Item No. | | H | W | W ₁ | T ₁ | T ₂ | D | C ₁ | C ₂ | C ₃ | d | Holes | Weight (g) | Box (pcs) | Carton (pcs) |
|----------|-------|----------------|----------------|----------------|----------------|----------------|----|----------------|----------------|----------------|-----|-------|------------|-----------|--------------|
| Left | Right | | | | | | | | | | | | | | |
| 201L | 201R* | 50 (1-31/32") | 40 (1-37/64") | 10.0 | 2.5 | 2.5 | 8 | 5.0 | - | 18.0 | 3.5 | 6 | 37 | 20 | 200 |
| 202L | 202R | 65 (2-9/16") | 50 (1-31/32") | 13.0 | 2.8 | 2.8 | 10 | 6.5 | - | 25.0 | 3.8 | | 72 | | |
| 203L | 203R | 75 (2-61/64") | 60 (2-23/64") | 15.0 | 3.0 | 3.0 | 11 | 7.5 | - | 29.5 | 4.1 | | 104 | | |
| 204L | 204R | 100 (3-15/16") | 75 (2-61/64") | 19.0 | 4.5 | 4.0 | 15 | 7.0 | 4 | 28.3 | 4.5 | 8 | 241 | 6 | 60 |
| 205L | 205R | 125 (4-59/64") | 100 (3-15/16") | 23.5 | 5.0 | 4.5 | 18 | 8.0 | 7 | 26.7 | 5.1 | 10 | 500 | | |

201R/PB (POLISHED BRASS) IS DISCONTINUED

www.sugatsune.com

1-800-562-5267
(U.S.A. Only)