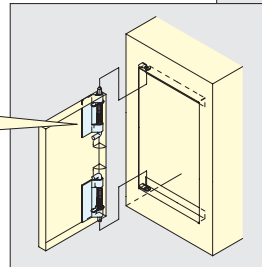
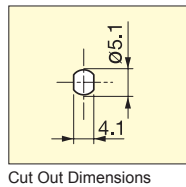
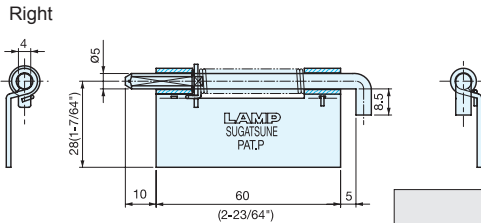
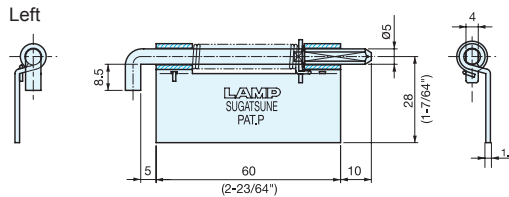


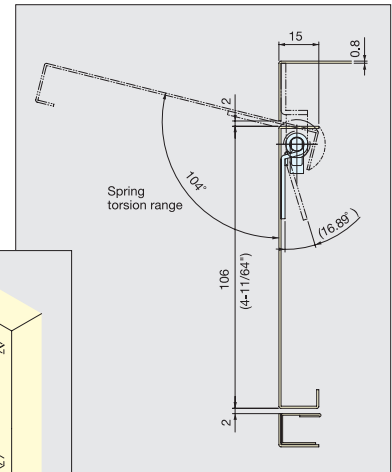
SPRING LOADED PIVOT HINGE (WELD-ON)



HG-PV60AC



- Designed to close with spring tension when hinge is back-surface mounted.
- Lift pin for easy door installation and removal.
- Torsion moment (Hinge closed): 0.76 kgf-cm (0.66 lb-in) per piece
- Door Weight: Max. 2 kg/pair (4.4 lbs)



Installation (top view)

Item No.	Weight (g)	Box (pcs)	Carton (pcs)
HG-PV60AC-L	38	50	200
HG-PV60AC-R			

Material	Finish
304 Stainless Steel	Plain

BUTT HINGE (W/SPRING)



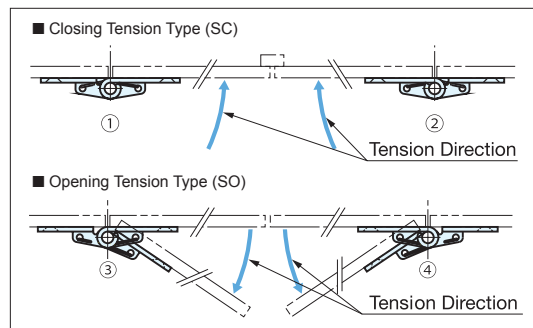
HG-BF3



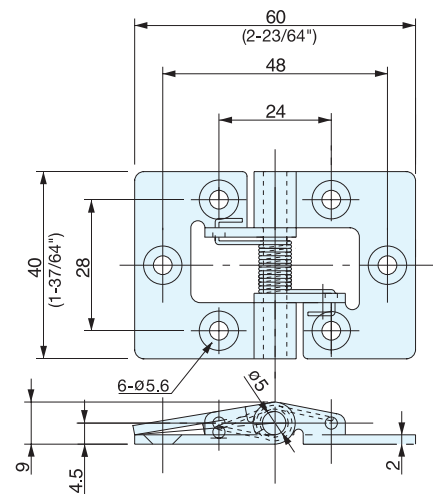
SC type (Closing Tension)



SO type (Opening Tension)



- Spring hinge to hold door.
- Available with either opening or closing spring tension.



Item No.		Tension Direction	Weight (g)	Box (pcs)	Carton (pcs)
Left	Right				
③HG-BF3-2L-SO	④HG-BF3-2R-SO	Opening Tension	41	20	120
①HG-BF3-2L-SC	②HG-BF3-2R-SC	Closing Tension			

Material	Finish
304 Stainless Steel	Plain