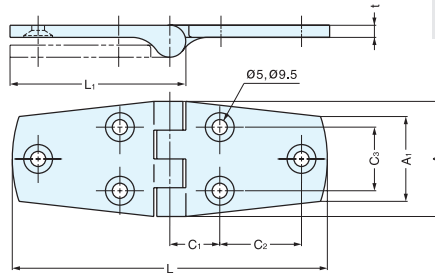
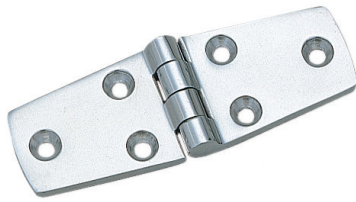


BUTT HINGE



28000, 28500



- 316 Stainless Steel construction ideal for harsh and highly corrosive environments.
- Door weight: Max. 4 kg/pair (8.8 lbs/pair)
- Door size: Max. W450 × H700 × t21 mm (W17-3/4" × H27-9/16" × t13/16")

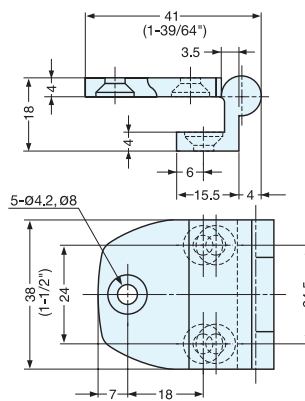
Material	Finish
316 Stainless Steel	Mirror

Item No.	L	L ₁	C ₁	C ₂	C ₃	A	A ₁	t	Weight (g)	Box (pcs)	Carton (pcs)
28500	74 (2-29/32")	42	13.0	17	20	38 (1-1/2")	28	4	85	20	100
28000	104 (4-3/32")	57	16.5	27	21				115		

BUTT HINGE



28100



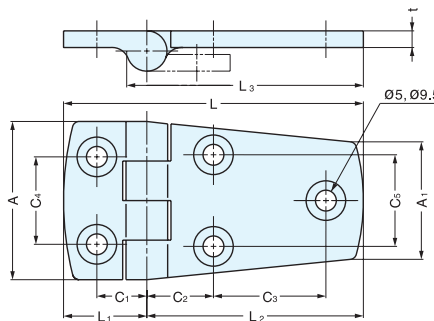
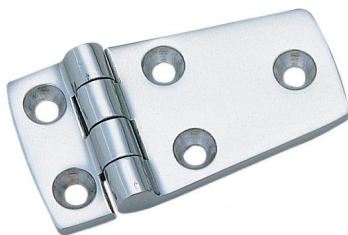
- 316 Stainless Steel construction ideal for harsh and highly corrosive environments.
- Door weight: Max. 4 kg/pair (8.8 lbs/pair)
- Door size: Max. W450 × H700 × t21 mm (W17-3/4" × H27-9/16" × t13/16")

Item No.	Weight (g)	Box (pcs)	Carton (pcs)	Material	Finish
28100	78.5	20	100	316 Stainless Steel	Mirror

BUTT HINGE



27800, 27900



- 316 Stainless Steel construction ideal for harsh and highly corrosive environments.
- Door weight: Max. 4 kg/pair (8.8 lbs/pair)
- Door size: Max. W450 × H700 × t21 mm (W17-3/4" × H27-9/16" × t13/16")

Material	Finish
316 Stainless Steel	Mirror

Item No.	L	L ₁	L ₂	L ₃	C ₁	C ₂	C ₃	C ₄	C ₅	A	A ₁	t	Weight (g)	Box (pcs)	Carton (pcs)
27900	58 (2-9/32")	20	38	42	12	13.5	16.5	21	20	38 (1-1/2")	28	4	70	20	100
27800	72 (2-53/64")		52	57		16.0	27.0	22	21				85		