

LAPCON DOOR DAMPER (RECESSED TYPE)



LDD-V100

DOOR ACCESSORIES

LAPCON DOOR DAMPERS (RECESSED TYPE)

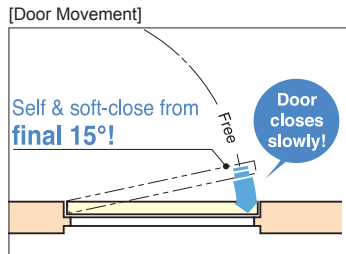


LDD-V100-NI-L shown.

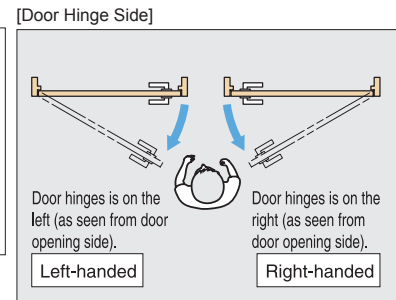
- Door damper unit for interior, swinging doors.
- Grips door at final 15° and softly, self-closes doors more gently compared to other door closers, putting less stress on the hinges.
- Heavy Duty: Holds up to 220 lbs doors (100 kg).
- "Invisible" design minimizes visibility of the hardware.
- Recommended Door Specifications:
 Thickness: minimum 40 mm~60 mm (1-9/16"~2-3/8")
 Width: maximum 900 mm (35-7/16")
 Weight: 40~100 kg (88~220 lbs)
- Can be adjusted for door weight after installation. Counterplate position can be easily adjusted by removing cover and turning micro-adjustment screws.
- Can be used with HES3D-E190 and HES3D-160.
- Includes screws and paper template for installation.



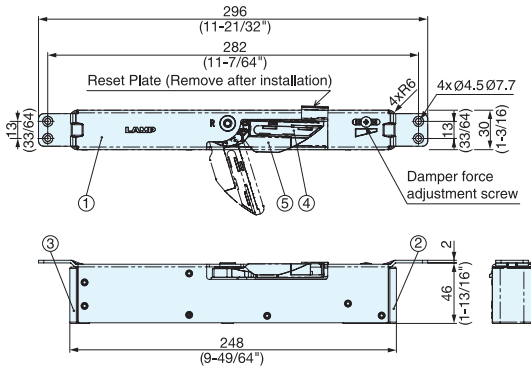
Counter plate cover (Nickel/Dark brown)



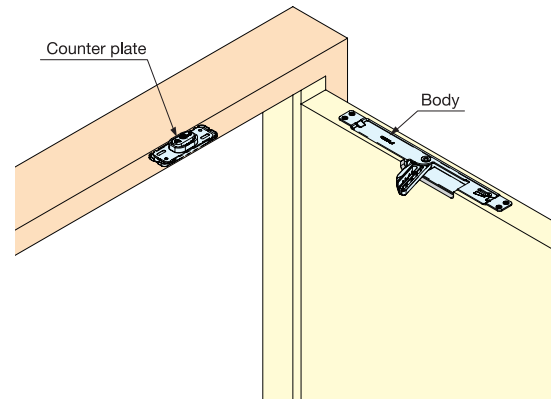
Right-handed type shown.
Left-handed type is symmetrical.



[Body]

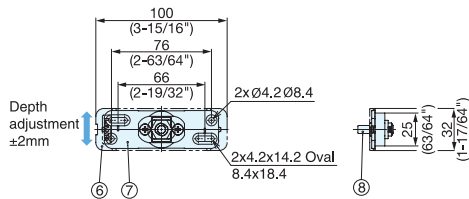
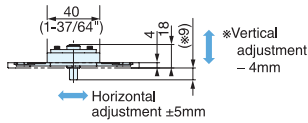


Below drawing shows right-handed type. Left-handed type is symmetrical.



Installation

[Counter Plate]

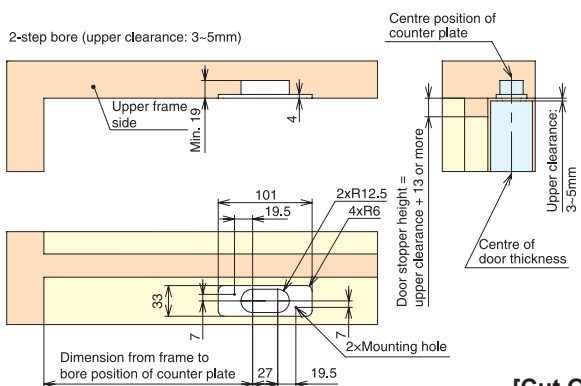
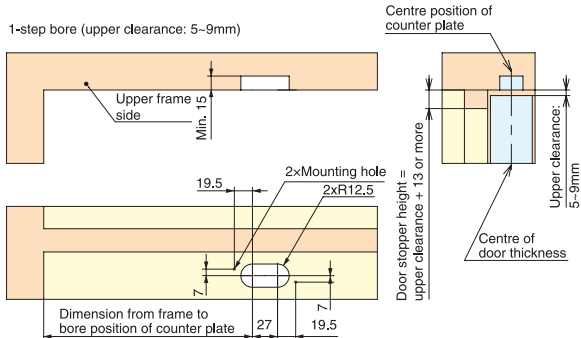


No.	Part Name	Material	Finish/Color
①	Case	Steel (SPCC)	Nickel
②	Damper Base	POM	Grey
③	Spring Base	POM	Grey
④	Arm Cover	POM	Grey
⑤	Arm	Zinc Alloy (ZDC)	Nickel
⑥	Counter Plate Cover	ABS	Dark Brown/Nickel
⑦	Counter Plate Base	Zinc Alloy (ZDC)	-
⑧	Counter Plate Shaft	Steel (SUM)	Nickel

Item No.	Finish/Color	Type	Door Weight (kg)	Door Width (mm)	Door Thickness (mm)	Box (pc)	Carton (pcs)
LDD-V100-DBR-R	Dark Brown	Right	88 lbs~220 lbs (40~100 kg)	Max. 35-7/16" (900)	1-9/16"~2-3/8" (40~60 mm)	1	10
LDD-V100-DBR-L		Left					
LDD-V100-NI-R	Nickel	Right					
LDD-V100-NI-L		Left					

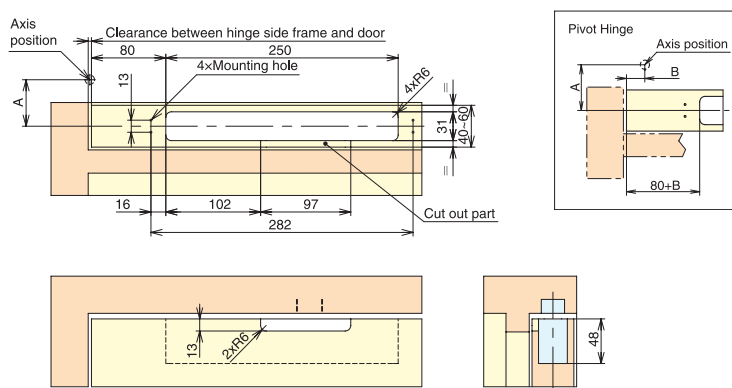
[Cut Out Dimensions for Frame]

LDD-V100-R (right-handed) shown. LDD-V100-L (left-handed) is symmetrical.



[Cut Out Dimensions for Door]

LDD-V100-R (right-handed) shown. LDD-V100-L (left-handed) is symmetrical.



Dimension from frame to bore position of counter plate (mm)

Door Hinge	Clearance Between Hinge Side Frame and Door (mm)					
	1	2	3	4	5	
HES3D-160, E190	217	218	219	220	221	
Butt Hinge	A=20~35	220	221	222	223	224
	A=35~50	223	224	225	226	227
Pivot Hinge	A=20~35	220+B	221+B	222+B	223+B	224+B
	A=35~50	223+B	224+B	225+B	226+B	227+B

If clearance between hinge side frame and door is beyond the range in the table above, calculate as per the table below.

Door Hinge	Dimension from Frame to Bore Position of Counter Plate (mm)	
HES3D-160, E190	216 + Clearance Between Hinge Side Frame and Door	
Butt Hinge	A=20~35	219 + Clearance Between Hinge Side Frame and Door
	A=35~50	222 + Clearance Between Hinge Side Frame and Door
Pivot Hinge	A=20~35	219 + B + Clearance Between Hinge Side Frame and Door
	A=35~50	222 + B + Clearance Between Hinge Side Frame and Door