

STAINLESS STEEL GRAVITY HINGE FOR GLASS DOOR

GH-G02

HINGES

GLASS DOOR GRAVITY HINGE FOR GLASS DOOR

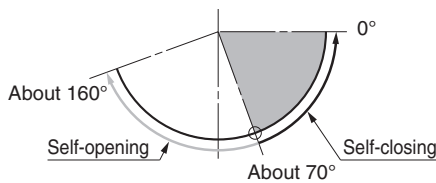
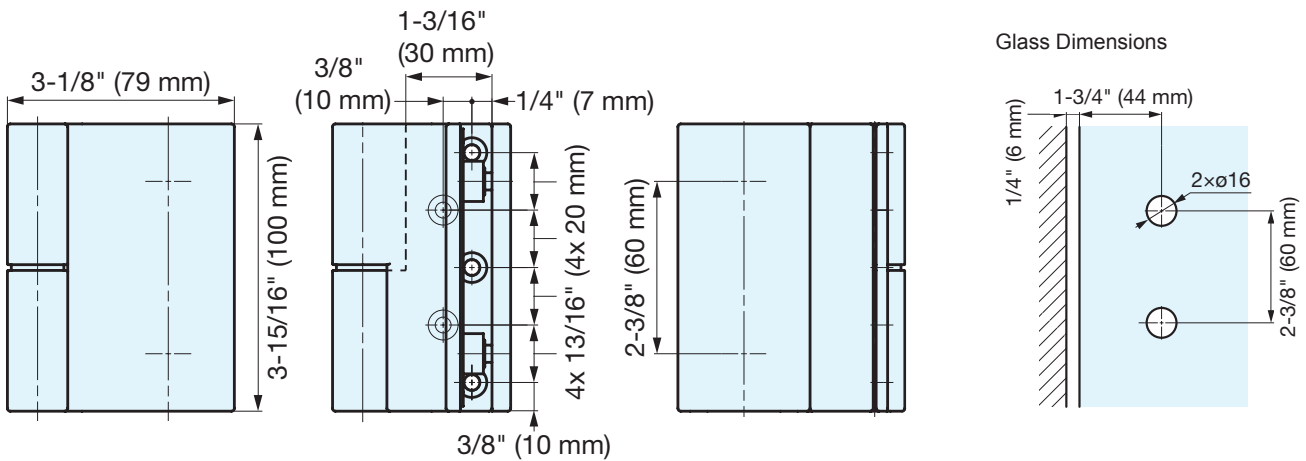
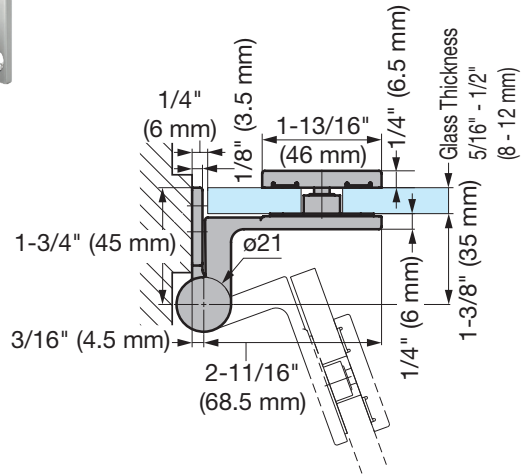
- Can be used in areas where water is used.
- Hinge self-closes between 0° and 70°.
- Hinge self-opens between 70° and 160°. Use door stopper to achieve desired max opening angle.
- A rise of 1/8" (3 mm) occurs when open 70°.



GH-G02-L



Reverse side



Glass Thickness	Load Capacity		Opening Angle
	99.2 lbs/2 pcs (45 kg/2 pcs)	110.2 lbs/3 pcs (50 kg/3 pcs)	
5/16" - 1/2" (8 - 12 mm)	99.2 lbs/2 pcs (45 kg/2 pcs)	110.2 lbs/3 pcs (50 kg/3 pcs)	160°

Item No.	Type	Material	Finish	Door Specs			
				Width/2 pcs	Height/2 pcs	Width/3 pcs	Height/3 pcs
GH-G02-R	Right Side	Stainless Steel	Mirror	31-1/2" (Max. 800 mm)	82-11/16" (Max. 2100 mm)	33-7/16" (Max. 850 mm)	94-1/2" (Max. 2400 mm)
GH-G02-L	Left Side						