

2-WAY ADJUSTABLE PIVOT HINGE



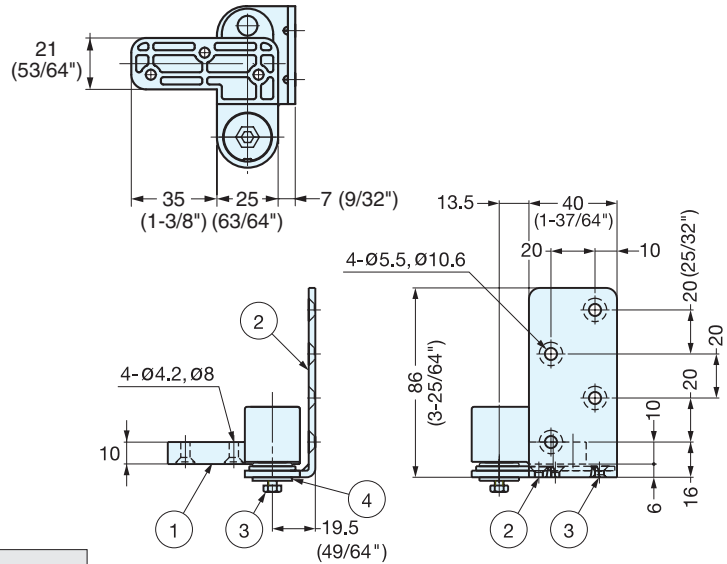
PH-01

HINGES

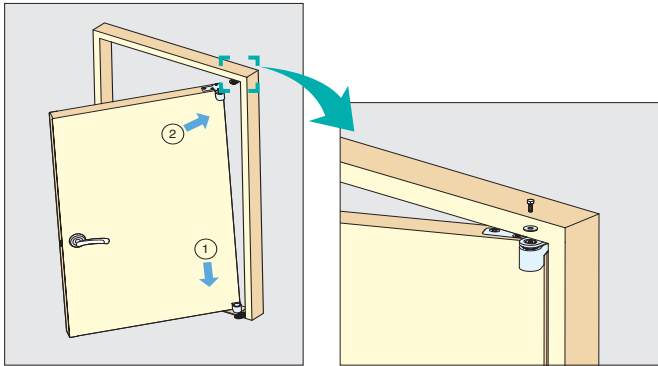
2-WAY ADJUSTABLE PIVOT HINGES



- Vertically and laterally adjustable after installed.
- Sold in pairs (top and bottom), non-handed.
- Supplied with wood screw 4 × 30.
- Separate body and bracket for easy installation.
- Door Height: Max. 2300 mm (90-34/64")
- Door Width: Max. 850 mm (33-15/32")
- Door Weight: Max. 35 kg (77 lbs)/pair
- Door Thickness: 33~42 mm (1-19/64"~1-21/32")



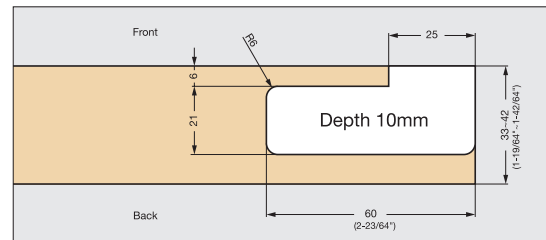
Door Installation



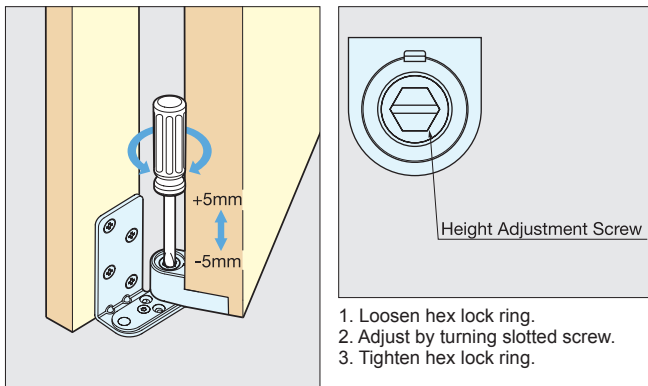
* Gap between door jamb and handle side of door: 4 mm (Door Thickness 33~42 mm)

- Install hinge bracket to door frame
- Bolt the door on with supplied screw

Bore Dimensions (Door)

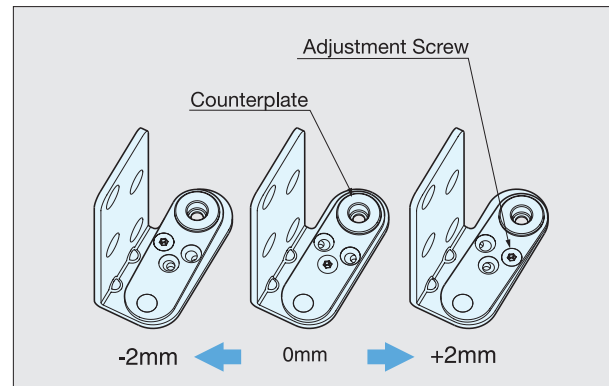


Vertical Adjustment



1. Loosen hex lock ring.
2. Adjust by turning slotted screw.
3. Tighten hex lock ring.

Lateral Adjustment



Item No.	Weight (g)	Box (set)	Carton (set)
PH-01	500	1	20

No.	Part Name	Material	Finish/Color
①	Body	Zinc Alloy	Matte Silver
②	Bracket	304 Stainless Steel	Plain
③	Hex Bolt		-
④	Washer		-
⑤	Cap	ABS	White