

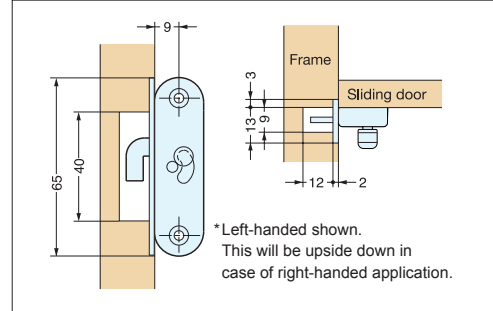
SLIDING DOOR LATCH



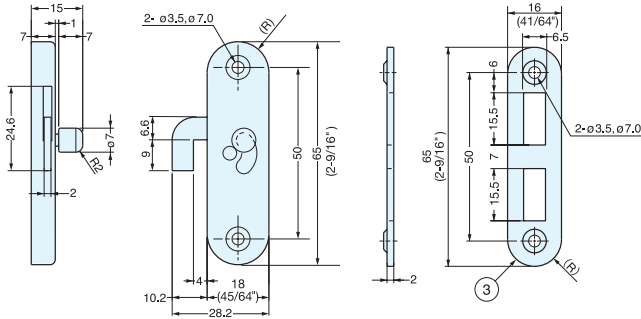
HC-65



- Surface mount type door latch with noticeable indicator.
- Extra slim and compact design.
- Simply slide up and down the knob to lock/unlock.
- Non-handed.



Installation



Item No.	Weight (g)	Box (pcs)	Carton (pcs)
HC-65	41	20	200

Material	Finish
304 Stainless Steel, Brass	Satin

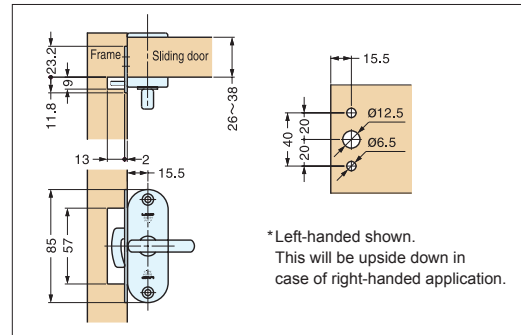
SLIDING DOOR LATCH



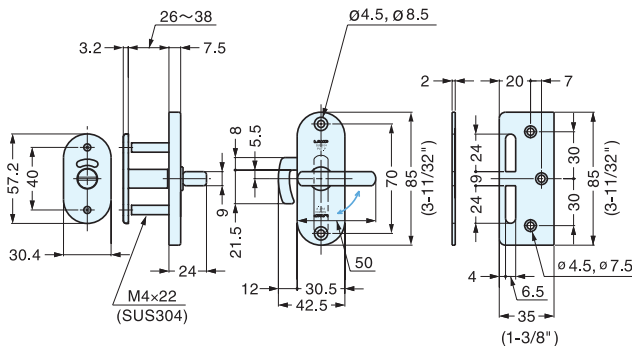
HHC-85



- Door latch with indicator.
- Slim design suitable for various applications.
- Large lever for easy operation.
- Non-handed.
- For door thickness 26~38 mm. (1-1/32"~1-1/2")



Installation



Item No.	Weight (g)	Box (pcs)	Carton (pcs)
HHC-85	120	6	30

Material	Finish
304 Stainless Steel, Brass	Satin