

# GLASS SLIDING DOOR LATCH

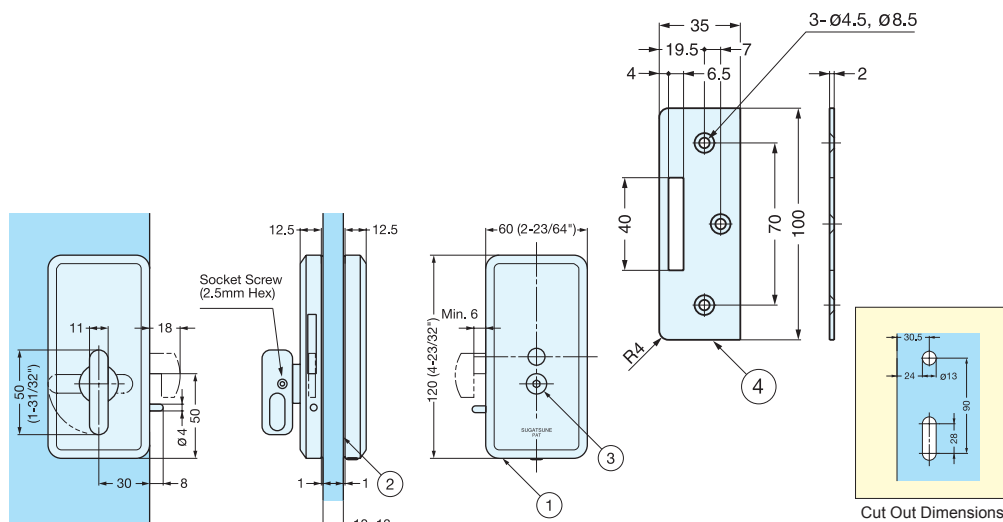


## XL-MT120-H



XL-MT120-H01

- Lock with indicator for glass sliding door.
- Strike unit (XL-MT120-U) available for double sliding doors (sold separately).
- Can be unlocked by turning emergency release pin with supplied allen key. (Hex size 4 mm)



Item No.	Type	Glass Thickness (mm)	Weight (g)	Box (pcs)	Carton (pcs)
<del>XL-MT120-H01</del>	<del>Right</del>	8	567	1	12
<del>XL-MT120-H02</del>	<del>Left</del>				

DISCONTINUED

No.	Parts Name	Material	Finish
①	Body	304 Stainless Steel	Satin
②	Spacer	Polypropylene	Plain
③	Emergency Release Pin	Brass	Chrome
④	Strike	304 Stainless Steel	Satin

# GLASS SLIDING DOOR STRIKE

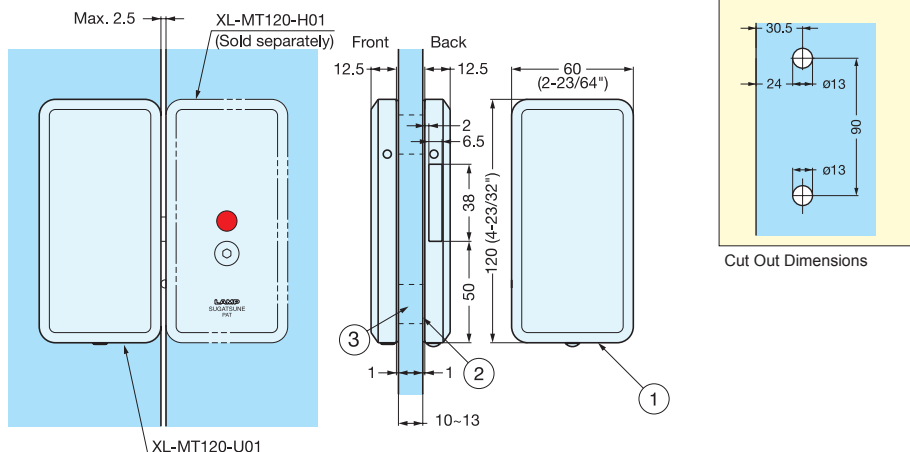
## XL-MT120-U



- Strike unit for XL-MT120-H (sold separately).
- Designed for double sliding door application.



Combination Example  
(XL-MT120-U01 and XL-MT120-H01)



Item No.	Type	Glass Thickness (mm)	Weight (g)	Box (pcs)	Carton (pcs)
<del>XL-MT120-U01</del>	<del>Right</del>	8	415	1	24
<del>XL-MT120-U02</del>	<del>Left</del>				

DISCONTINUED

No.	Parts Name	Material	Finish
①	Body	304 Stainless Steel	Satin
②	Spacer	Polypropylene	Plain
③	Stand Off	Brass	Plain