

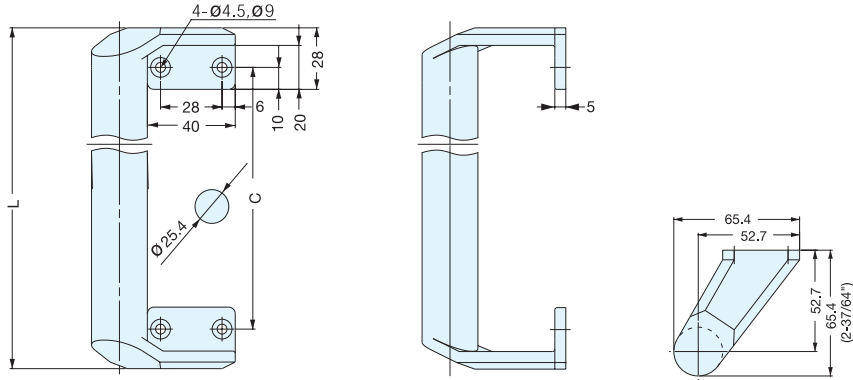
LARGE HANDLE



MP-500, 750, 1000



- Ideal for harsh and high corrosive environments.
- Designed for machinery applications where a heavy duty handle is required.



Item No.	L	C	Weight (g)	Box (pcs)	Carton (pcs)
MP-500	500	464 (18-17/64")	1000	2	20
MP-750	750	714 (28-7/64")	1300		16
MP-1000	1000	964 (37-61/64")	1600		12

Material	Finish
316 Stainless Steel	Mirror

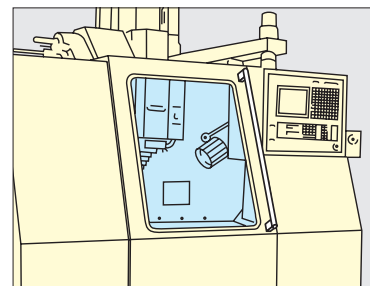
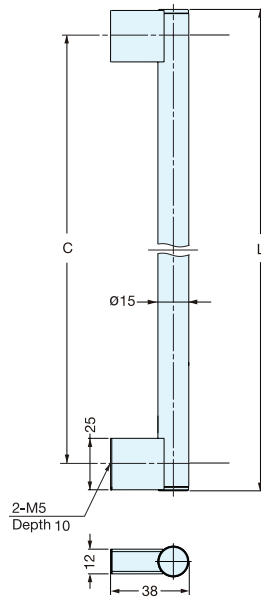
LARGE HANDLE



RH-760



- Low profile design.
- Designed for machinery applications where a heavy duty handle is required.
- Recommended screw size: M5



Item No.	L	C	Weight (g)	Box (pcs)	Carton (pcs)
RH-760	786	760 (29-59/64")	340	20	200

Material	Finish
304 Stainless Steel	Satin