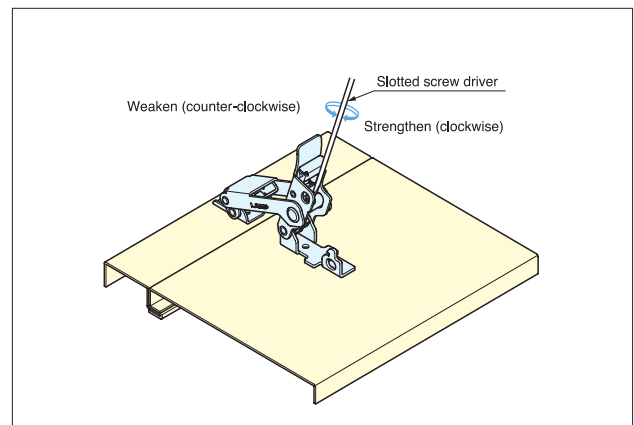
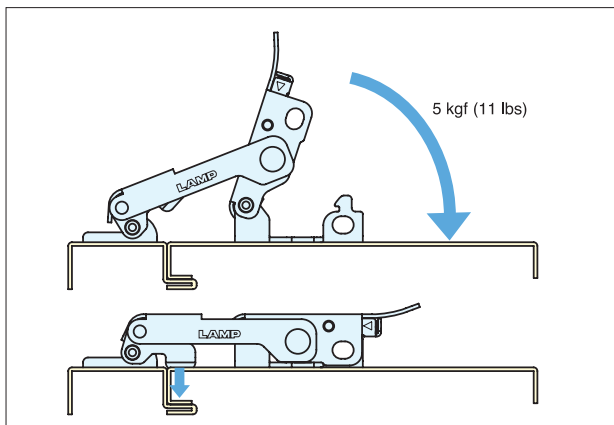
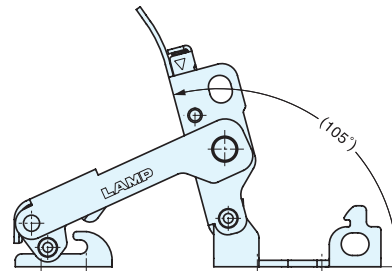
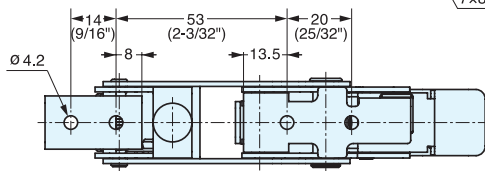
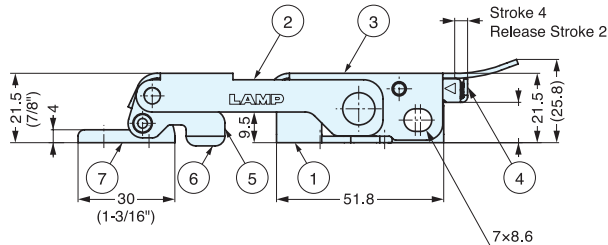
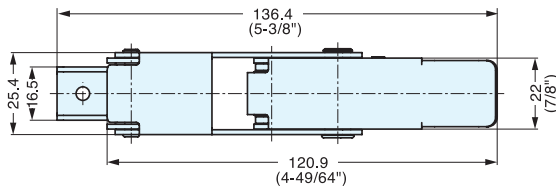


COMPRESSION DRAW LATCH



STF-CP140

- Compression latching.
- Adjustable arm latch.
- Safety lock feature prevents accidental release.
- Provides consistent hold tension for secure latching.



CATCHES & LATCHES

COMPRESSION DRAW LATCH

Item No.	Load Capacity (kg)	Compression force (kg)
STF-CP140	61 (134 lbs)	25 (55 lbs)

No.	Part Name	Material	Finish/Color
①	Base	304 Stainless Steel	Polished
②	Arm		
③	Lever		
④	Safety Lock		
⑤	Compression Plate	EPDM	Black
⑦	Counterplate	304 Stainless Steel	Polished