

LARGE HANDLE



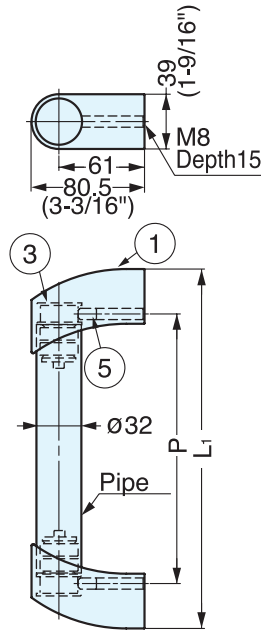
MDH

- Handle bars available in 304 stainless steel (304SS) or carbon fiber reinforced polymer (CFRP). Posts are zinc die cast with a chrome (CR) finish.
- Includes hexagonal M8 × 15 bolts.
- Assembly required.

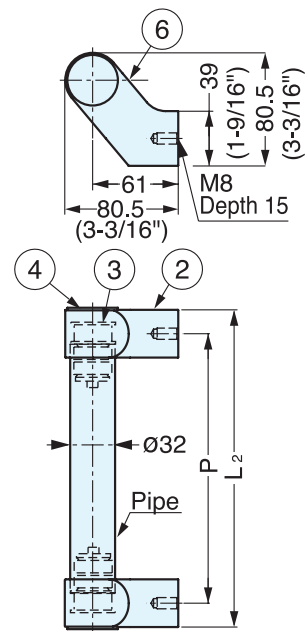


MDH-PS

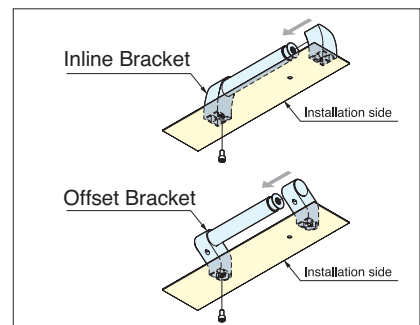
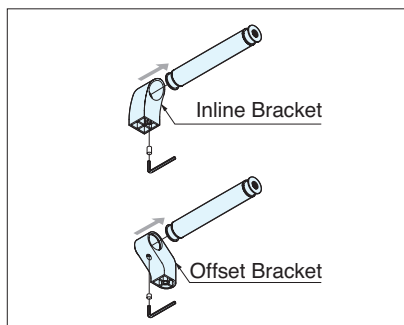
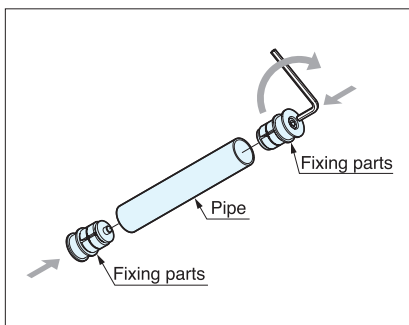
MDH-PC



INLINE



OFFSET



No.	Part Name	Material	Finish/Color
①	Bracket (Straight)	Zinc Alloy	Matte Chrome
②	Bracket (Offset)		
③	Fixing Parts		
④	Cover	Polyacetal	
⑤	HEX set screw M8x15	Stainless Steel	Black
⑥	HEX set screw M8x8		Plain

Item No.		Material	P (mm)	L ₁ (mm)	L ₂ (mm)	Weight (g)	
Inline Posts	Offset Posts					Inline	Offset
MDH-PS192-IH	MDH-PS192-OH	304 Stainless Steel	192 (7-9/16")	256	226	1386	1506
MDH-PS350-IH	MDH-PS350-OH		350 (13-25/32")	414	384	1729	1849
MDH-PS500-IH	MDH-PS500-OH		500 (19-11/16")	564	534	2052	2172
MDH-PS800-IH	MDH-PS800-OH		800 (31-1/2")	864	834	2702	2822
MDH-PS1200-IH	MDH-PS1200-OH		1200 (47-1/4")	1264	1234	3572	3692
MDH-PC192-IH	MDH-PC192-OH	CFRP	192 (7-9/16")	256	226	1072	1192
MDH-PC350-IH	MDH-PC350-OH		350 (13-25/32")	414	384	1134	1254
MDH-PC500-IH	MDH-PC500-OH		500 (19-11/16")	564	534	1193	1313
MDH-PC800-IH	MDH-PC800-OH		800 (31-1/2")	864	834	1311	1431
MDH-PC1200-IH	MDH-PC1200-OH		1200 (47-1/4")	1264	1234	1469	1589