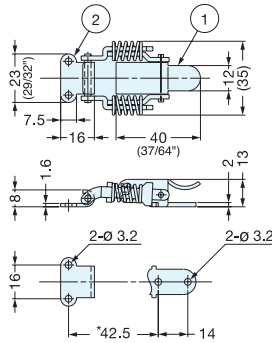
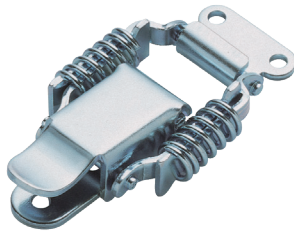


# COMPRESSION DRAW LATCH



## SCCA-40



- Spring loaded design compensates for tolerance and vibrations.
- Provides constant hold tension for secure latching.

\*Dimensions shown are for clamping force of "0".

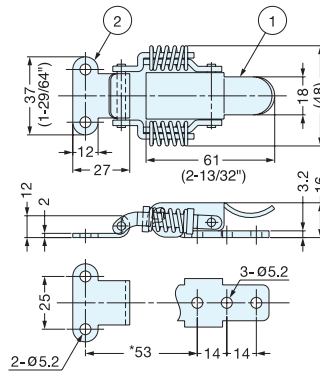
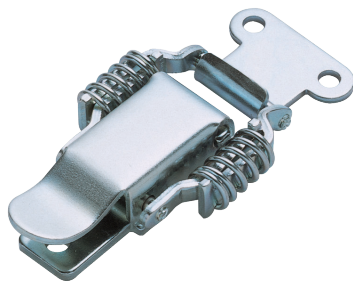
Item No.	Weight (g)	Box (pcs)	Carton (pcs)
SCCA-40	38	100	400

No.	Part Name	Material	Finish
①	Body	Steel	Yellow Zinc Chromate
②	Counterplate		

# COMPRESSION DRAW LATCH



## SCCA-60



- Spring loaded design compensates for tolerance and vibrations.
- Provides constant hold tension for secure latching.

\*Dimensions shown are for clamping force of "0".

Item No.	Weight (g)	Box (pcs)	Carton (pcs)
SCCA-60	102	100	400

No.	Part Name	Material	Finish
①	Body	Steel	Yellow Zinc Chromate
②	Counterplate		

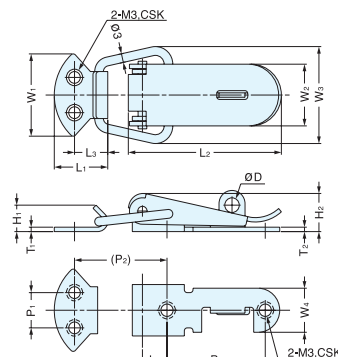
# DRAW LATCH



## PS



PS30A



- PS31A and PS30A designed for use with a padlock (not included).

Material	Finish
304 Stainless Steel	Polished

Item No.	ØD	Load Capacity (kg)	Weight (g)	Box (pcs)	Carton (pcs)
PS31A	5.0	10 (22 lbs)	19	100	500
PS30A	5.5	15 (33 lbs)	35		400
PS31	-	10 (22 lbs)	19		500
PS30	-	15 (33 lbs)	38		400

Item No.	Pad Lock Hole	L <sub>1</sub>	L <sub>2</sub>	L <sub>3</sub>	L <sub>4</sub>	W <sub>1</sub>	W <sub>2</sub>	W <sub>3</sub>	W <sub>4</sub>	H <sub>1</sub>	H <sub>2</sub>	T <sub>1</sub>	T <sub>2</sub>	P <sub>1</sub>	(P <sub>2</sub> )	P <sub>3</sub>
PS31A	With Hole	16	40 (1-37/64")	10.0	8.0	23 (29/32")	16	26	13	9	9.5	1.2	1.0	10	30	23
PS30A		18	53 (2-3/32")	11.5	8.5	28 (1-7/64")	21	32	15	10	13.0	1.5	1.5	12	33	34
PS31	Without Hole	19	38 (1-1/2")	11.0	7.0	24 (61/64")	16	26	13	8	9.5	1.2	1.0	10	30	23
PS30		18	53 (2-3/32")	11.5	8.5	28 (1-7/64")	21	32	15	10	13.0	1.5	1.5	12	33	34