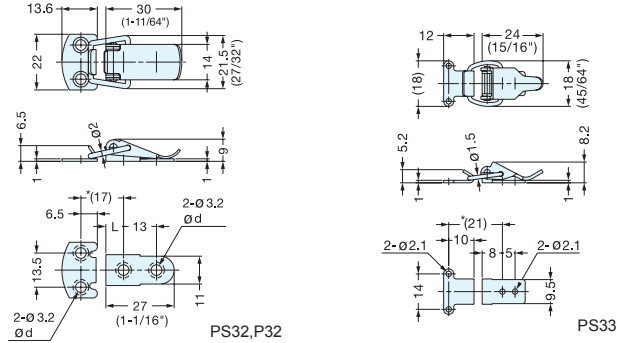


DRAW LATCH

PS/P



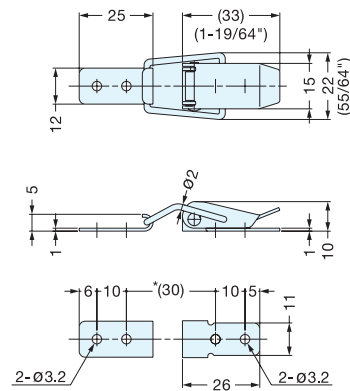
*Dimensions shown are for clamping force of "0".

Item No.	L	ød	Load Capacity (kg)	Weight (g)	Material	Finish
PS32	7.5	5.2	8 (17.6 lbs)	11	PS: 304 Stainless Steel	Polished
P32		4.2		12		
PS33	-	-	5 (11.0 lbs)	6	P: Steel	Clear Zinc

DRAW LATCH

STAINLESS
304
STEEL

PS35



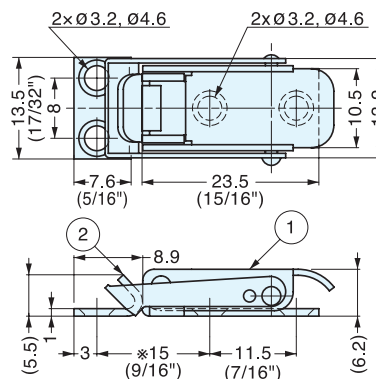
*Dimensions shown are for clamping force of "0.5".

Item No.	Load Capacity (kg)	Weight (g)	Material	Finish
PS35	2 (4.4 lbs)	15	304 Stainless Steel	Polished

DRAW LATCH

STAINLESS
304
STEEL

SCC25



*Dimensions shown are for clamping force of "0".

Item No.	Weight (g)	Box (pcs)	Carton (pcs)	No.	Part Name	Material	Finish
SCC25	6	100	1000	①	Body	304 Stainless Steel	Polished
				②	Counterplate		