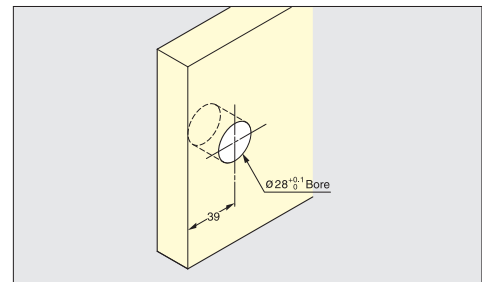


PUSH KNOB LATCH

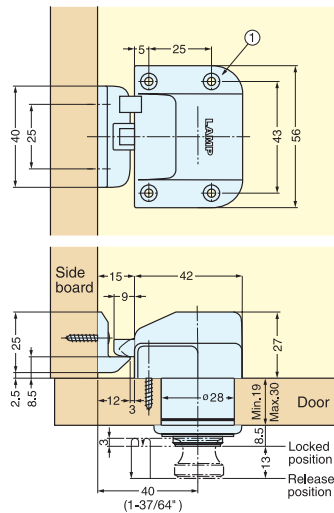
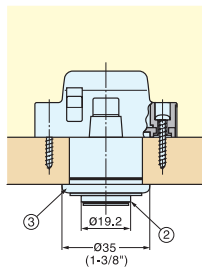
TEST 11
P.697

TLP

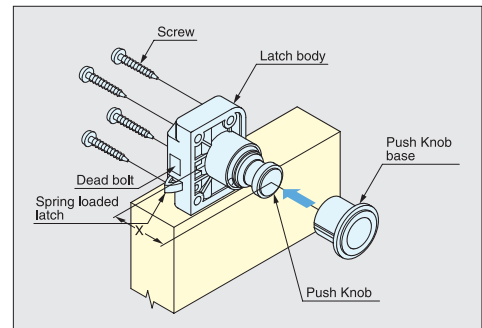

- Door Thickness: 19 mm~30 mm (3/4"~ 1-3/16")
- Door will be locked when knob is pushed in.
- Dead bolt to securely lock the door.
- Holding Force : 20 kg (44 lbs)
- Non-handed.
- Order Latch Body (TLP-LBM/WHT) and Push Knob (TLP-BB/XX) for complete set.
- Ideal for cabinets in boats, buses, and RVs.



Bore Dimensions (Inset Door Application)



(Overlay Door Application)



Installation



■ Supplied with 2 threaded screws (L=24 mm and 30 mm).

No.	Part Name	Material	Finish	
			Knob	Latch
①	Latch Body	Polyamide	Satin Nickel (SN) Polished Brass (PB) Chrome (CR)	White
②	Push Button	Brass		
③	Push Button Base	Zinc Alloy		

Item No.	Part Name	Holding Force (kg)	Weight (g)	Box (pcs)	Carton (pcs)
TLP-BB/SN	Push Knob and Base	20 (44 lbs)	77	25	200
TLP-BB/PB					
TLP-BB/CR					
TLP-LBM/WHT	Latch Body		33	10	100

Threaded screw	Dimension X	
	Door Thickness	Dimension X
L = 24	19 (3/4")	40.5 (1-19/32")
	20 (25/32")	41.5 (1-5/8")
	21 (53/64")	42.5 (1-43/64")
	22 (7/8")	43.5 (1-23/32")
	23 (29/32")	44.5 (1-3/4")
	24 (15/16")	45.5 (1-51/64")
L = 30	25 (63/64")	46.5 (1-53/64")
	26 (1-1/32")	47.5 (1-7/8")
	27 (1-1/16")	48.5 (1-29/32")
	28 (1-3/32")	49.5 (1-61/64")
	29 (1-9/64")	50.5 (1-63/64")
	30 (1-3/16")	51.5 (2-1/32")