



FOLDING BRACKET WITH SOFT-CLOSE



EB-303/EP-D



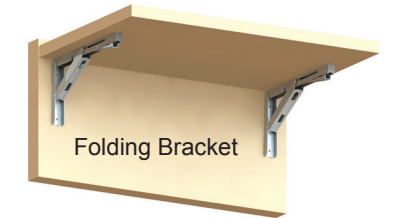
EB-303/EP-D



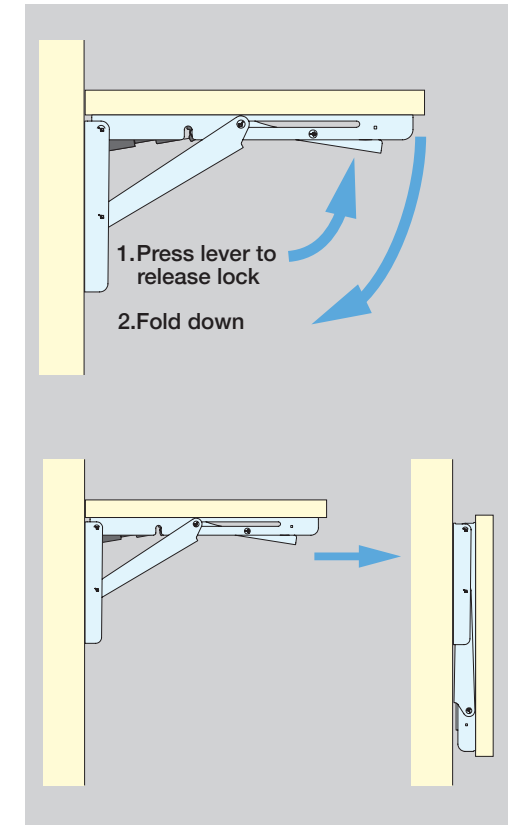
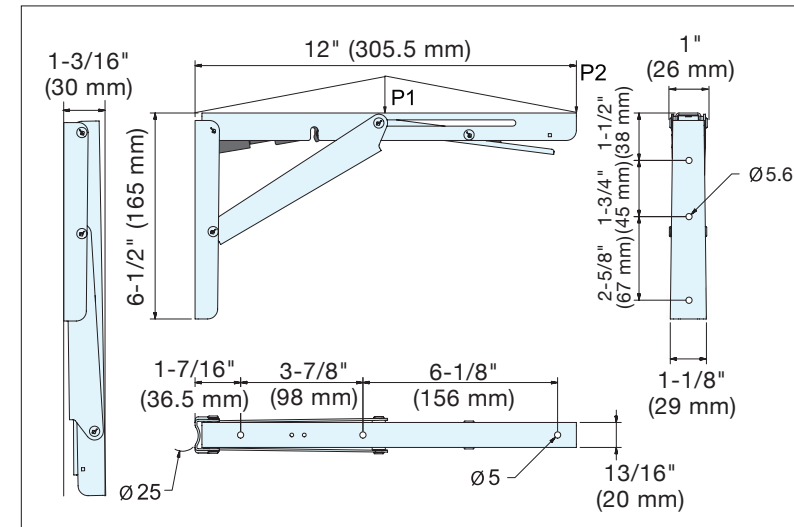
EB-303/EP-BL-D

- Automatically locks when flap is in open position.
- Press lever to release the lock.
- Additional hinges not required.
- Damper unit with a soft-closing feature which makes bracket smoother and safer.
- Refer to the DAMPER WEIGHT CHART for damper weight capacity.
- For panel thickness 9/16" ~ 1-3/8" (15 ~ 35 mm).
- Required quantity:
  - Use 1 damper bracket for panel width up to 23-5/8" (600 mm).
  - Use 2 damper brackets for panel width between 23-5/8" ~ 51-3/16" (600 ~ 1300 mm).
- Durability tested 50,000 cycles (private).

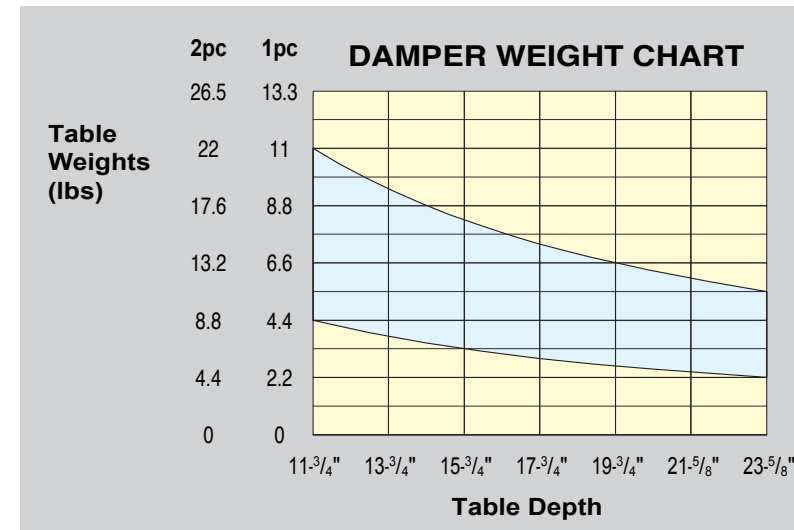
Application Example



Folding Bracket



1. Press lever to release lock
2. Fold down



Part Name	Material
Main Body	304 Stainless Steel
Plate Spring	
Rivet	

Item No.	Max. Table Weight with Max. Table Depth	Weight (g)	Carton (pcs)
EB-303/EP-D	Max. Table Weight ~ 22 lbs/pair (10 kg) with Max. Table Depth ~ 11-3/4"	515	20
EB-303/EP-BL-D	Max. Table Weight ~ 11 lbs/pair (5 kg) with Max. Table Depth ~ 23-5/8"		