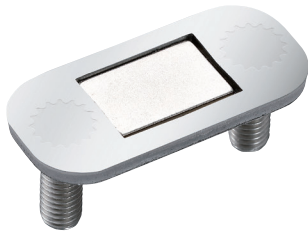


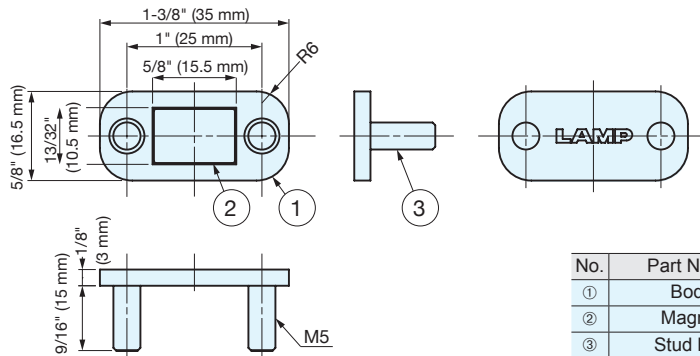
STAINLESS STEEL MAGNETIC CATCH (BACK MOUNT)
**STAINLESS
430
STEEL**
MC-159-ST


Front



Back

- The bolts are designed to be fixed with nuts from the back side.
- No screw heads.
- Neodymium magnet is used for strong force.
- 3 mm ultra-thin design.
- Counter plate of back-mount type is also available.



No.	Part Name	Material	Finish
①	Body	430 Stainless Steel	Barrel Polished
②	Magnet	Zinc Alloy	Neodymium
③	Stud Bolt	303 Stainless Steel	-

Item No.	Magnetic Force (kgf)	Weight (g)	Box (pcs)	Carton (pcs)
MC-159-2-ST	2 (4.41 lbs)	14	400	1200
MC-159-4-ST	4 (8.82 lbs)			

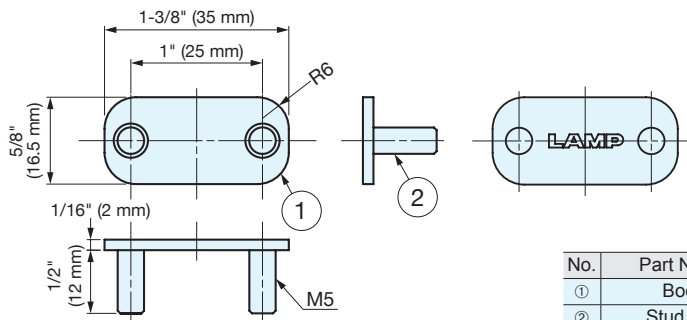
STAINLESS STEEL COUNTER PLATE (BACK MOUNT)
**STAINLESS
430
STEEL**
MC-159U-ST


Front



Back

- The bolts are designed to be fixed with nuts from the back side.
- No screw heads.



No.	Part Name	Material	Finish
①	Body	430 Stainless Steel	Barrel Polished
②	Stud Bolt	303 Stainless Steel	-

Item No.	Weight (g)	Box (pcs)	Carton (pcs)
MC-159U-ST	13.2	50	1000