



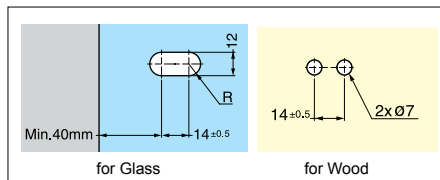
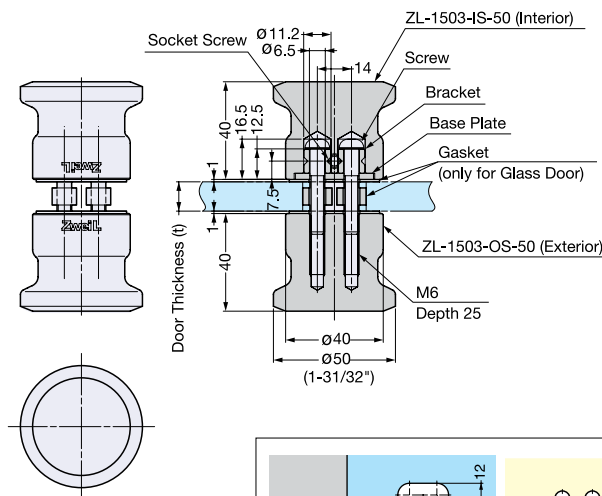
**Zwei L** Glass Door Knob



**ZL-1503**



- Door Thickness (t)
  - Wooden/Metal Frame Door: 36~48 mm (1-7/16"~1-7/8")
  - Glass Door: 6~12 mm (1/4"~1/2")



Item No.	Type	Material	Finish/Color	Weight (g)	Box (pcs)
ZL-1503-IS-50	Interior Knob	316 Stainless Steel	Zwei L	480	1
ZL-1503-OS-50	Exterior Knob			507	1
ZL-1503-WN-50*	Back-to-Back Knob			1000	1

\*Back-to-Back type includes 2 knobs, screw set and allen key.