

NEW SOFT-CLOSING LID-STAYS

SUGATSUNE LAPCON STAY



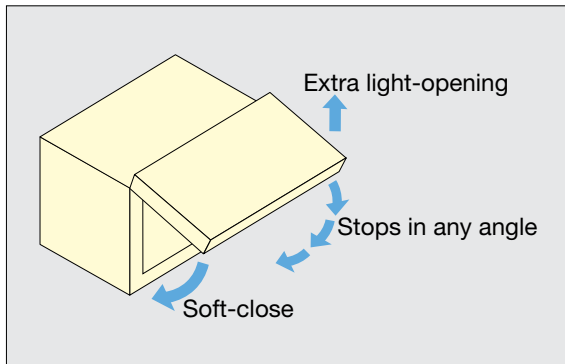
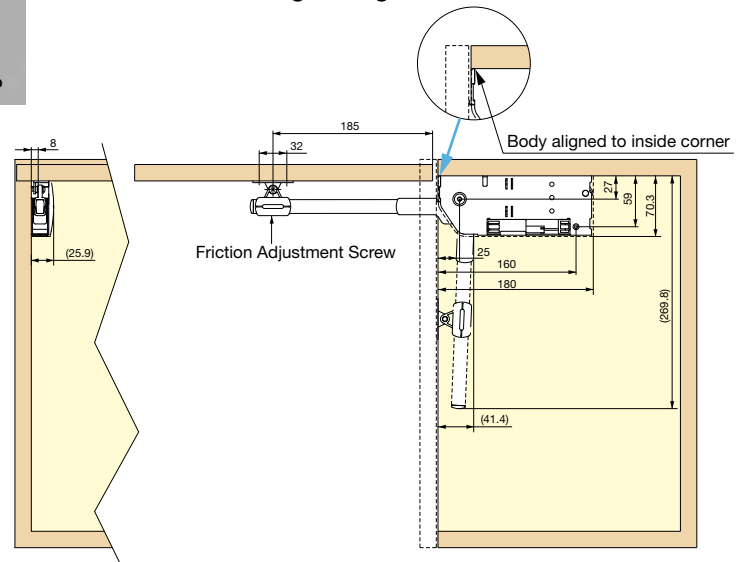
SLS-ELAN



- Lapcon stay for upward-opening flap doors
- Lift-assist mechanism for extra light-opening
- Door stays in any desired position
- Damper equipped for soft & silent closing at the end
- Slim design and installed location maximizes space inside of cabinet
- Simple installation by aligning body to edge of cabinet
- Single or pair use allows wide range of door size / weight
- Torque Calculation: Door Height x 1/2 x Door Weight
 M type: 55 ~ 75kg-cm (48 ~ 65lbs-in) per piece
 H type: 75 ~ 100kg-cm (65 ~ 87lbs-in) per piece
 *See below for weight range



PAT.P



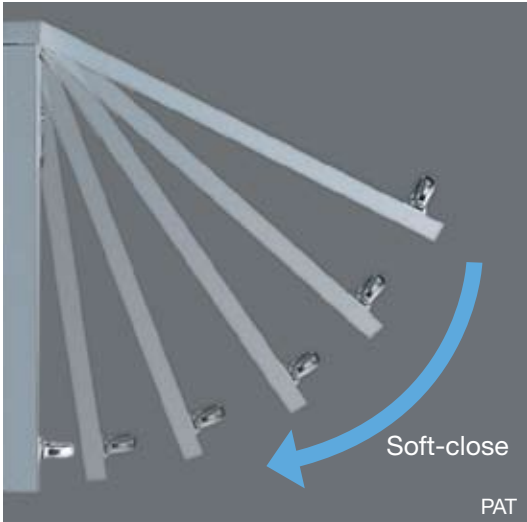
Door Weight Range Table (lbs.)

Door Height (inch)	M-type (piece)		H-type (piece)		M-type (pair)		H-type (pair)	
	Min	Max	Min	Max	Min	Max	Min	Max
12	8.0	10.8	10.8	14.5	16.0	21.7	21.7	29.0
13	7.4	10.0	10.0	13.4	14.8	20.0	20.0	26.8
14	6.9	9.3	9.3	12.4	13.7	18.6	18.6	24.9
15	6.4	8.7	8.7	11.6	12.8	17.3	17.3	23.2
16	6.0	8.1	8.1	10.9	12.0	16.3	16.3	21.8
17	5.6	7.6	7.6	10.2	11.3	15.3	15.3	20.5
18	5.3	7.2	7.2	9.7	10.7	14.4	14.4	19.3
19	5.1	6.8	6.8	9.2	10.1	13.7	13.7	18.3
20	4.8	6.5	6.5	8.7	9.6	13.0	13.0	17.4
21	4.6	6.2	6.2	8.3	9.1	12.4	12.4	16.6
22	4.4	5.9	5.9	7.9	8.7	11.8	11.8	15.8
23	4.2	5.7	5.7	7.6	8.3	11.3	11.3	15.1
24	4.0	5.4	5.4	7.3	8.0	10.8	10.8	14.5
25	3.8	5.2	5.2	7.0	7.7	10.4	10.4	13.9
26	3.7	5.0	5.0	6.7	7.4	10.0	10.0	13.4
27	3.6	4.8	4.8	6.4	7.1	9.6	9.6	12.9
28	3.4	4.6	4.6	6.2	6.9	9.3	9.3	12.4

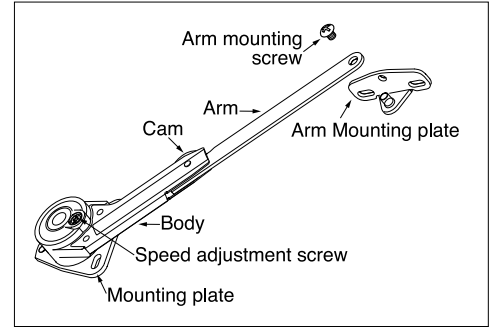


*Single or pair use depending on door size and weight.

ADJUSTABLE SOFT-DOWN STAY



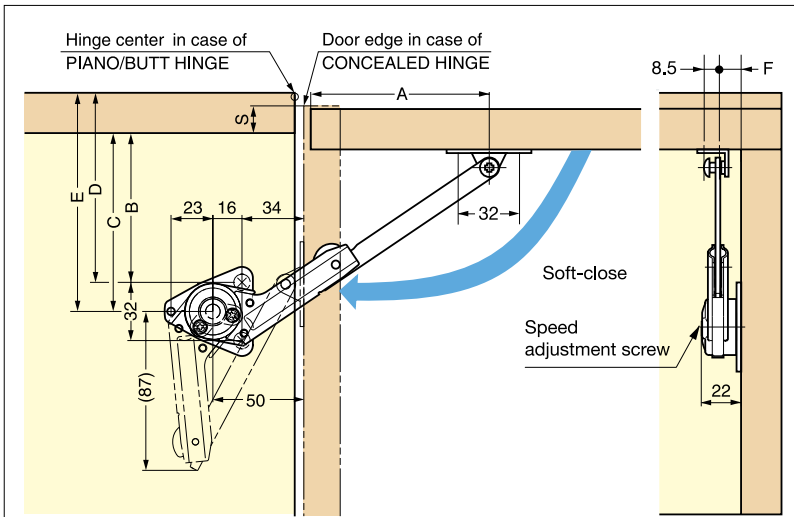
- Keeps flap/lid from slamming down.
- Recognized by LGA for 30,000 cycles.
- Soft-down speed adjustable.
- Opening angle is adjustable by changing mounting position.
- Left or Right handed
- Torque Calculation : Door Height x 1/2 x Door Weight
 20~70 kg·cm (19~60 lbs·inch) per piece
 40~140 kg·cm (38~120 lbs·inch) per pair
- Designed to operate at room temperature 0°~40°C (32°~104°F).



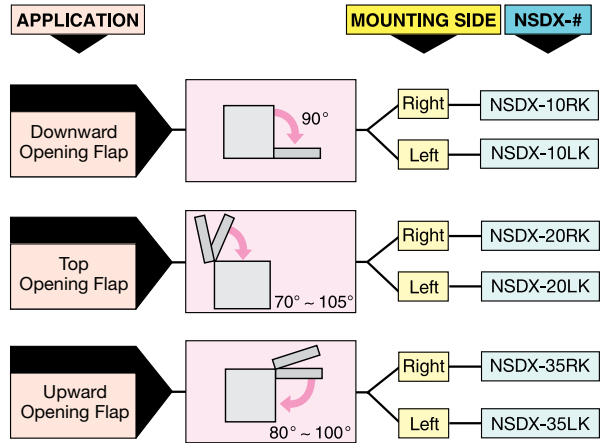
Material	Finish
Zinc Alloy	Nickel
Steel	Nickel

Item No.	Weight (g)	Box (pcs)	Carton (pcs)
NSDX-__RK	181	20	80
NSDX-__LK			

* See below for full item No.



This drawing shows NSDX-35RK (right-hand side mounting).
 NSDX-35LK (left-hand) is symmetrical.



Opening Angle	Hinge Type	A	B	C	D	E	F
80°	Concealed Hinge	106	105-S	121-S	-	-	12
	Piano/Butt Hinge	100	-	-	99	115	
90°	Concealed Hinge	98	97-S	113-S	-	-	
	Piano/Butt Hinge	91.5	-	-	90.5	106.5	
100°	Concealed Hinge	92.5	91.5-S	107.5-S	-	-	
	Piano/Butt Hinge	88	-	-	84	100	

Note: "S" dimension is the overlay coverage for concealed hinge(s).



Sugatsune Blue Book,
 our latest catalog
 "No.180" available
 Visit our website or
 call to order now!

SUGATSUNE

Sugatsune America, Inc.

18101 Savarona Way
 Carson, CA 90746

Toll Free: (800) 562-LAMP

Phone: (310) 329-6373

Fax: (310) 329-0819

<http://www.sugatsune.com>

sales@sugatsune.com