

# NEW SOFT-CLOSING LID-STAYS-R SUGATSUNE

## SUGATSUNE LAPCON STAY



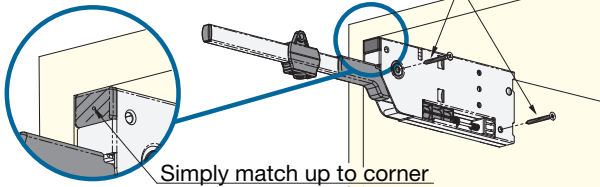
## SLS-ELAN



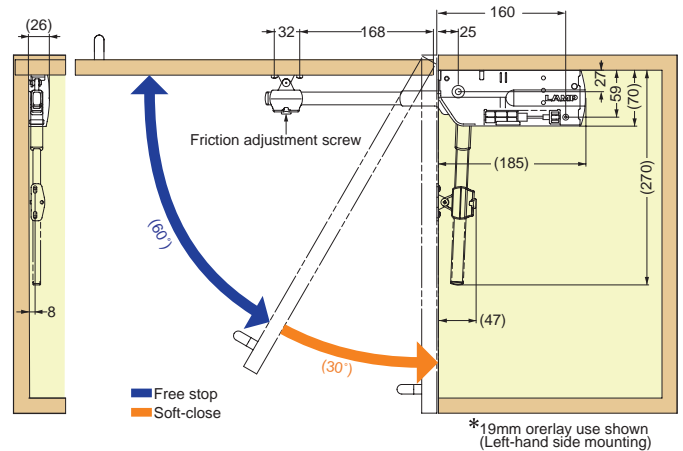
- Lapcon stay for upward-opening flap doors
- Lift-assist mechanism for extra light-opening
- Door stays in any desired position
- Damper equipped for soft & silent closing at the end
- Slim design and installed location maximizes space inside of cabinet
- Simple installation by aligning body to edge of cabinet
- Single or pair use allows wide range of door size / weight
- Recognized by LGA for 40,000 cycles
- Optional bracket for aluminum frame door available

### Easy Installation

Only 2 screws needed to secure the body



Simply match up to corner

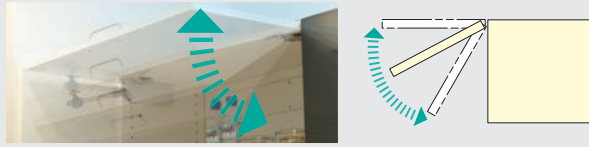


### 3 functions on 1 stay

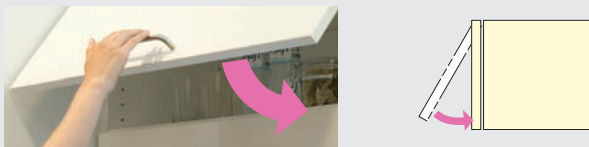
#### 1. Lift-assist



#### 2. Free stop



#### 3. Soft-close



### Door Weight Range Table (lbs.)

| Door Height (inch) | Single use |      |        |      | Pair use |      |        |      |
|--------------------|------------|------|--------|------|----------|------|--------|------|
|                    | M-type     |      | H-type |      | M-type   |      | H-type |      |
|                    | Min        | Max  | Min    | Max  | Min      | Max  | Min    | Max  |
| 12"                | 8.0        | 10.8 | 10.8   | 14.5 | 16.0     | 21.7 | 21.7   | 29.0 |
| 13"                | 7.4        | 10.0 | 10.0   | 13.4 | 14.8     | 20.0 | 20.0   | 26.8 |
| 14"                | 6.9        | 9.3  | 9.3    | 12.4 | 13.7     | 18.6 | 18.6   | 24.9 |
| 15"                | 6.4        | 8.7  | 8.7    | 11.6 | 12.8     | 17.3 | 17.3   | 23.2 |
| 16"                | 6.0        | 8.1  | 8.1    | 10.9 | 12.0     | 16.3 | 16.3   | 21.8 |
| 17"                | 5.6        | 7.6  | 7.6    | 10.2 | 11.3     | 15.3 | 15.3   | 20.5 |
| 18"                | 5.3        | 7.2  | 7.2    | 9.7  | 10.7     | 14.4 | 14.4   | 19.3 |
| 19"                | 5.1        | 6.8  | 6.8    | 9.2  | 10.1     | 13.7 | 13.7   | 18.3 |
| 20"                | 4.8        | 6.5  | 6.5    | 8.7  | 9.6      | 13.0 | 13.0   | 17.4 |
| 21"                | 4.6        | 6.2  | 6.2    | 8.3  | 9.1      | 12.4 | 12.4   | 16.6 |
| 22"                | 4.4        | 5.9  | 5.9    | 7.9  | 8.7      | 11.8 | 11.8   | 15.8 |
| 23"                | 4.2        | 5.7  | 5.7    | 7.6  | 8.3      | 11.3 | 11.3   | 15.1 |
| 24"                | 4.0        | 5.4  | 5.4    | 7.3  | 8.0      | 10.8 | 10.8   | 14.5 |
| 25"                | 3.8        | 5.2  | 5.2    | 7.0  | 7.7      | 10.4 | 10.4   | 13.9 |
| 26"                | 3.7        | 5.0  | 5.0    | 6.7  | 7.4      | 10.0 | 10.0   | 13.4 |
| 27"                | 3.6        | 4.8  | 4.8    | 6.4  | 7.1      | 9.6  | 9.6    | 12.9 |
| 28"                | 3.4        | 4.6  | 4.6    | 6.2  | 6.9      | 9.3  | 9.3    | 12.4 |

\*Single or pair use depending on door size and weight.

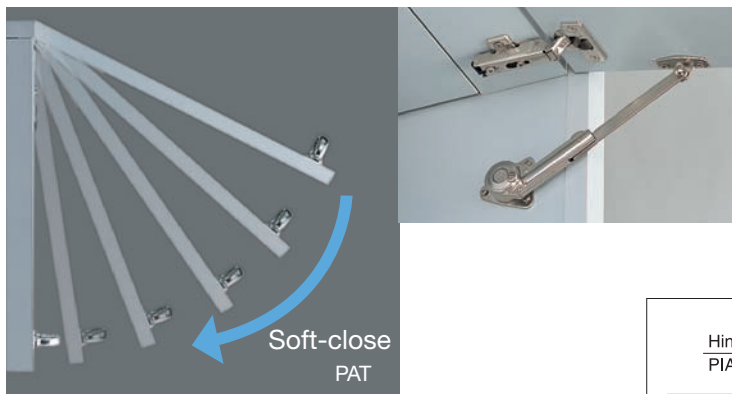


| Item No.    | Type  | Torque per piece          | Material                                                                                     | Finish / Color                                                                                           | Weight (g) | Box (pcs) | Carton (pcs) |
|-------------|-------|---------------------------|----------------------------------------------------------------------------------------------|----------------------------------------------------------------------------------------------------------|------------|-----------|--------------|
| SLS-ELAN-MR | Right | 55~75kg·cm (48~65lbs-in)  | <ul style="list-style-type: none"> <li>• Aluminum</li> <li>• Steel</li> <li>• ABS</li> </ul> | <ul style="list-style-type: none"> <li>• Anodized</li> <li>• Galvanized</li> <li>• Light Grey</li> </ul> | 600        | 20        | 100          |
| SLS-ELAN-ML | Left  |                           |                                                                                              |                                                                                                          |            |           |              |
| SLS-ELAN-HR | Right | 75~100kg·cm (65~87lbs-in) |                                                                                              |                                                                                                          |            |           |              |
| SLS-ELAN-HL | Left  |                           |                                                                                              |                                                                                                          |            |           |              |

# ADJUSTABLE SOFT-DOWN STAY



**NSDX**



- Keeps flap/lid from slamming down
- Recognized by LGA for 30,000 cycles
- Soft-down speed adjustable
- Opening angle is adjustable by changing mounting position
- Left or Right handed
- Designed to operate at room temperature 0°~40°C (32°~104°F)
- Torque calculation : Door Height x 1/2 x Door Weight  
20~70 kg-cm (19~60 lbs-inch) per piece  
40~140 kg-cm (38~120 lbs-inch) per pair

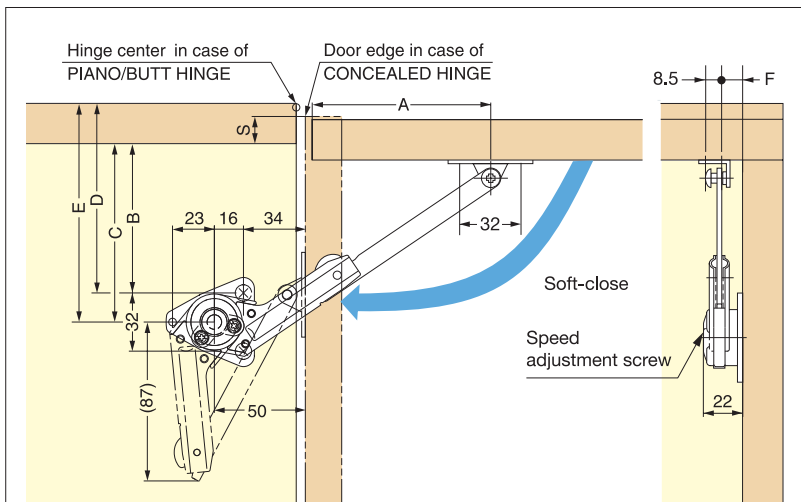
|            |            |           |              |    |
|------------|------------|-----------|--------------|----|
| Material   |            | Finish    |              |    |
| Zinc Alloy |            | Nickel    |              |    |
| Steel      |            | Nickel    |              |    |
| Item No.   | Weight (g) | Box (pcs) | Carton (pcs) |    |
| NSDX-__RK  | Right      | 181       | 20           | 80 |
| NSDX-__LK  | Left       |           |              |    |

\* See below for full item No.

**APPLICATION**

**MOUNTING SIDE NSDX-#**

|                       |  |       |           |
|-----------------------|--|-------|-----------|
| Downward Opening Flap |  | Right | NSDX-10RK |
|                       |  | Left  | NSDX-10LK |
| Top Opening Flap      |  | Right | NSDX-20RK |
|                       |  | Left  | NSDX-20LK |
| Upward Opening Flap   |  | Right | NSDX-35RK |
|                       |  | Left  | NSDX-35LK |



This drawing shows NSDX-35RK (right-hand side mounting).  
NSDX-35LK (left-hand) is symmetrical.

| Opening Angle | Hinge Type       | A    | B      | C       | D    | E     | F  |
|---------------|------------------|------|--------|---------|------|-------|----|
| 80°           | Concealed Hinge  | 106  | 105-S  | 121-S   | -    | -     | 12 |
|               | Piano/Butt Hinge | 100  | -      | -       | 99   | 115   |    |
| 90°           | Concealed Hinge  | 98   | 97-S   | 113-S   | -    | -     |    |
|               | Piano/Butt Hinge | 91.5 | -      | -       | 90.5 | 106.5 |    |
| 100°          | Concealed Hinge  | 92.5 | 91.5-S | 107.5-S | -    | -     |    |
|               | Piano/Butt Hinge | 88   | -      | -       | 84   | 100   |    |

Note: "S" dimension is the overlay coverage for concealed hinge(s).



# LIFT-ASSIST SOFT-DOWN STAY



**EZS-ELAN**



- Lift-assist mechanism for extra light-opening
- Door stays in any desired position
- Damper equipped for soft & silent closing at the end
- Simple installation by aligning body to edge of cabinet
- Snap-on door installation
- Door height adjustable
- Door size :  
Door weight: 5 ~ 12.5kg (11 ~ 27.5lbs)  
Door height: 500 ~ 750mm (19-43/64" ~ 29-17/32")  
Door width: Max. 1200mm (47-15/64")

\*Lifting power: Door height (inch) x (Door weight (lbs) - 1)

| Item No.    | Lifting Power | Weight (kg) / pair | Box (pair) |
|-------------|---------------|--------------------|------------|
| EZS-ELAN-LL | 185-280       | 5.6 (12.4 lbs)     | 5          |
| EZS-ELAN-ML | 280-380       |                    |            |
| EZS-ELAN-MM | 380-485       |                    |            |
| EZS-ELAN-HM | 485-550       |                    |            |
| EZS-ELAN-HH | 550-680       |                    |            |

PAT.P

Free stop  
Soft-close

| Material   | Finish / Color |
|------------|----------------|
| • Aluminum | • Anodized     |
| • Steel    | • Galvanized   |
| • ABS      | • Light Grey   |



Sugatsune Blue Book our latest catalog  
"No.180" available  
Visit our website or call to order now!



**Sugatsune America, Inc.**  
18101 Savarona Way, Carson, CA 90746  
Toll Free: (800) 562-LAMP  
Phone: (310) 329-6373 • Fax: (310) 329-0819  
www.sugatsune.com • sales@sugatsune.com