



HES
Hinge + Esprit

Architectural Concealed Hinge

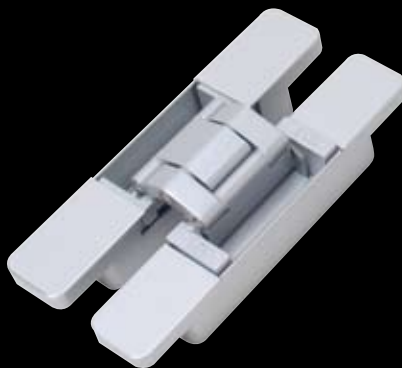


SUGATSUNE

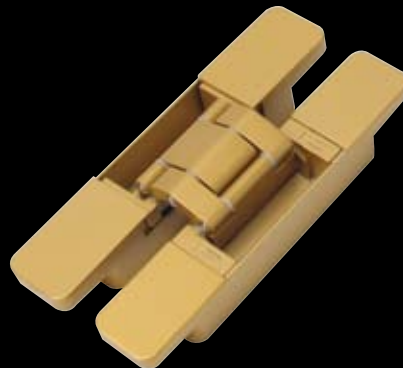
Since 1930



Item No.	Load cap. / 2pcs	Recomended Door Size	Door Thickness
HES3D-190	154 lbs	H95" x W36"	Min. 1-7/16"
HES3D-160	99 lbs	H80" x W36"	Min. 1-3/8"
HES3D-V135	88 lbs	H80" x W36"	Min. 1-3/16"



HES3D-160SL



HES3D-160GL



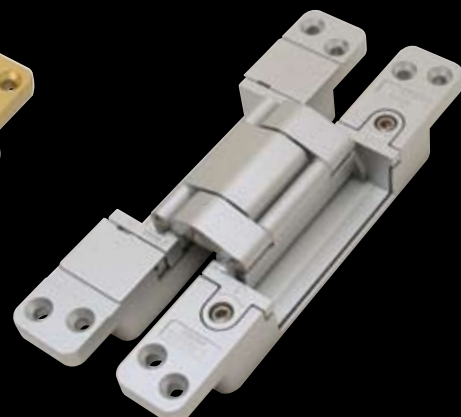
HES3D-V135GR



HES3D-190BL



HES3D-190GL



HES3D-190SL

Feel the quality at a touch.

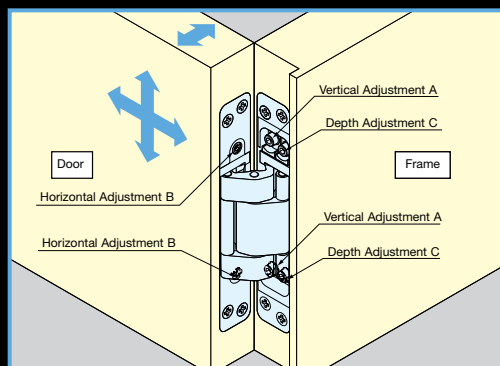
INSTALLATION

- Bracket installed into frame
- Hinge body installed into door
- Simply hang hinge body into bracket for temporary holding
- Requires only one person for installation



FEATURES

- Easy Installation
Quick and convenient holding bracket
- Simple and Easy 3Way Adjustment
Vertical, horizontal, and depth
- Strong and Durable Body Construction
- Smooth and Quiet Movement

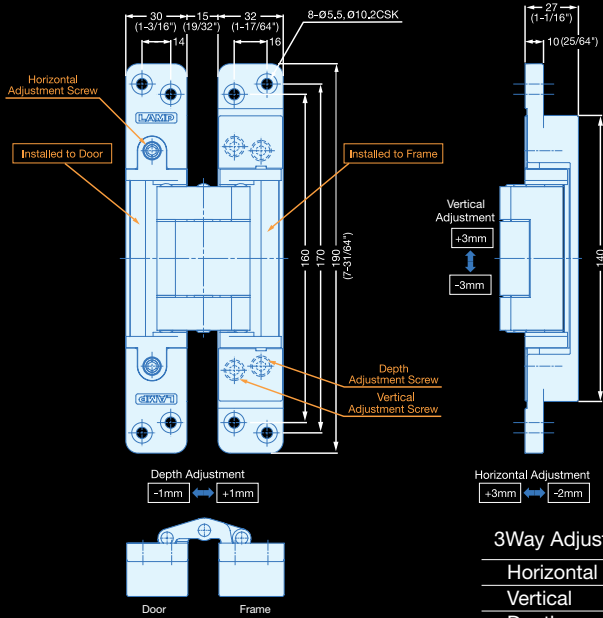


3Way Adjustment Diagram



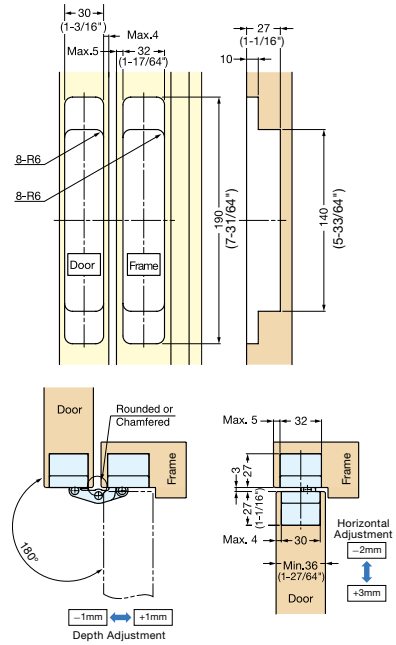
Adjustment Using Supplied Allen Key

HES3D-190

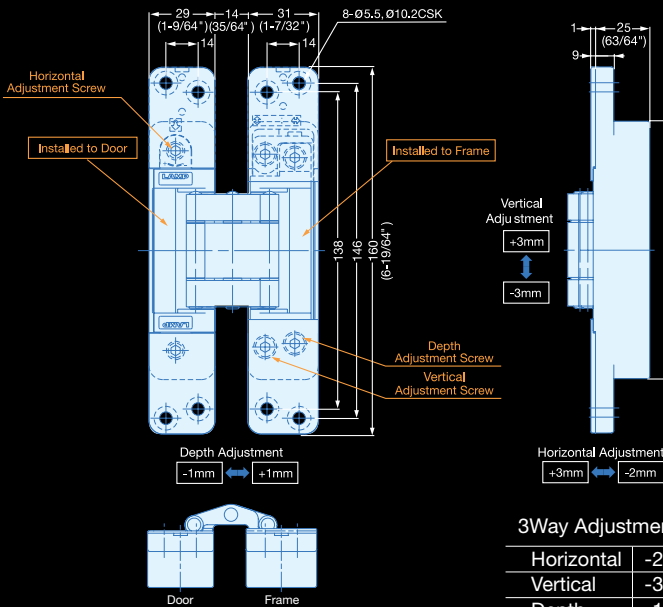


3Way Adjustment Range

Horizontal	-2 ~ +3mm
Vertical	-3 ~ +3mm
Depth	-1 ~ +1mm

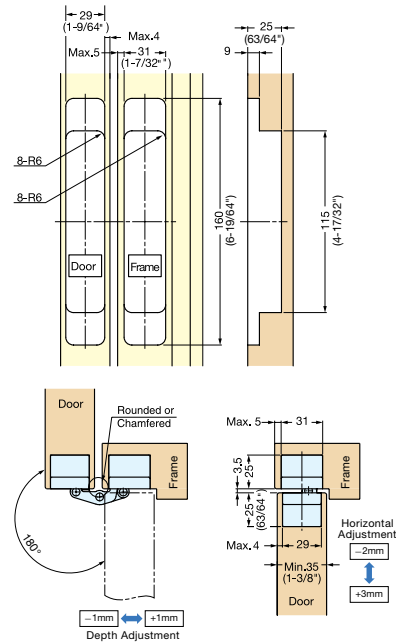


HES3D-160

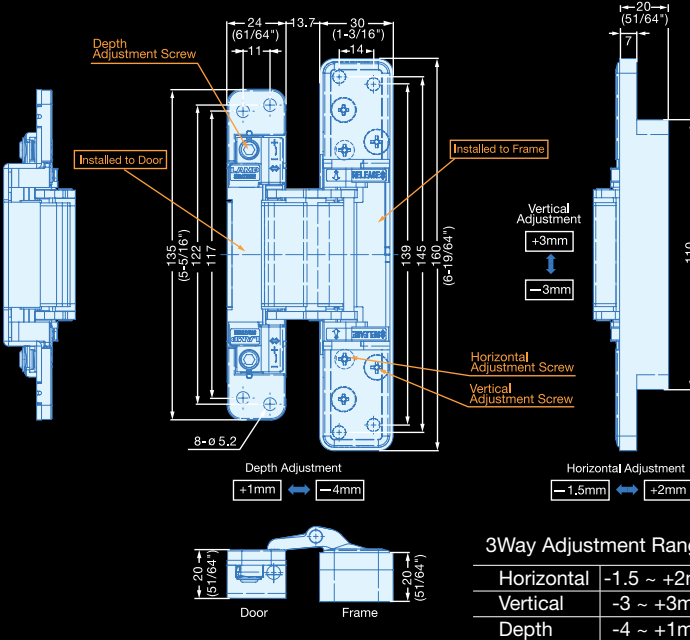


3Way Adjustment Range

Horizontal	-2 ~ +3mm
Vertical	-3 ~ +3mm
Depth	-1 ~ +1mm

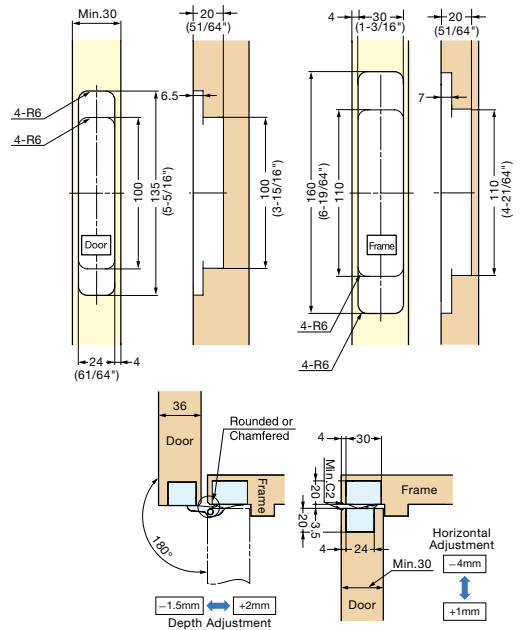


HES3D-V135GR



3Way Adjustment Range

Horizontal	-1.5 ~ +2mm
Vertical	-3 ~ +3mm
Depth	-4 ~ +1mm





HES is our complete line of concealed hinges that incorporates a distinct functionality with high load capacity, safety, and adjustability, but most of all... design.

The HES logo expresses our spirit through quality craftsmanship.



Designed for Versatility



Concealed for Elegance



