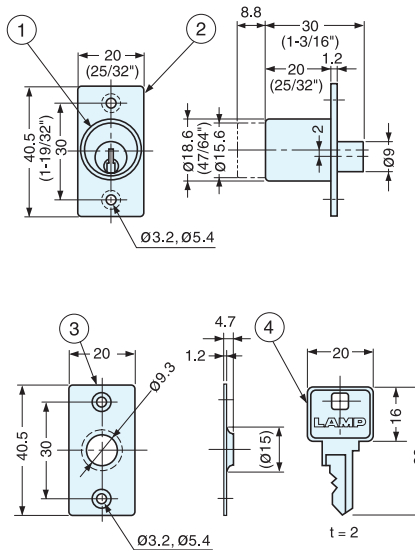


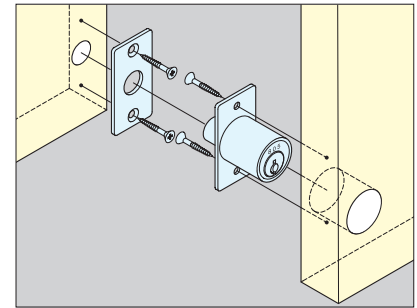
PUSH LOCK



2100M



- Zinc alloy cylinder push lock for sliding doors.
- Push cylinder to lock.
- Cylinder Length: 20mm (25/32")
- Cylinder Diameter: 18.6mm (47/64")
- 12 key changes available.
- Master key NOT available.
- Keys can be shared with other 2100 series locks.



Installation

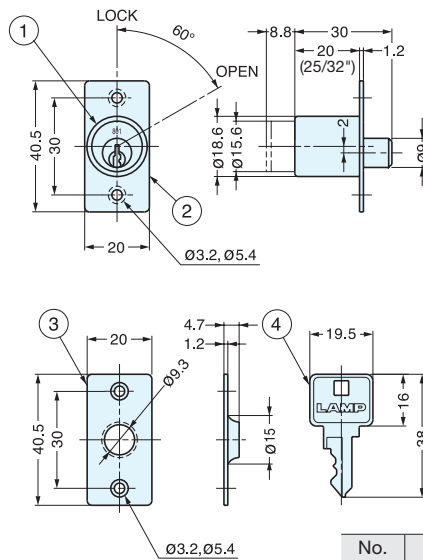
Item No.	Door Thickness	Weight (g)	Box (pcs)	Carton (pcs)
2100M	20 (25/32")	60	12	240

No.	Part Name	Material	Finish
①	Body	Zinc Alloy	Satin Nickel
②	Mounting Plate	Brass	Nickel
③	Counterplate		
④	Key		

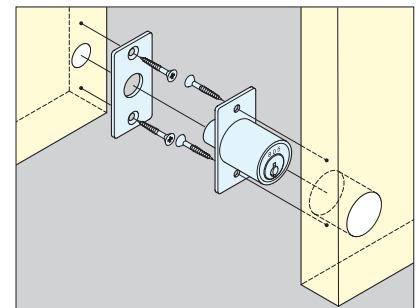
PUSH LOCK



2110M



- Zinc alloy cylinder push lock for sliding doors.
- Key is required to lock and to unlock.
- - To Lock: Insert key and turn 60° clockwise.
- - Push-in the cylinder and turn the key 60° back.
- Key is removable in both locked and unlocked position.
- Cylinder Length: 20mm (25/32")
- Cylinder Diameter: 18.6mm (47/64")
- 12 key changes available.
- Master key NOT available.
- Keys can be shared with other 2100 series locks.



Installation

Item No.	Door Thickness	Weight (g)	Box (pcs)	Carton (pcs)
2110M	20 (25/32")	60	12	240

No.	Part Name	Material	Finish
①	Body	Zinc Alloy	Nickel
②	Mounting Plate	Brass	
③	Counterplate		
④	Key		