

HEAVY DUTY SOFT-DOWN STAY



HDSN-30

LID SUPPORTS

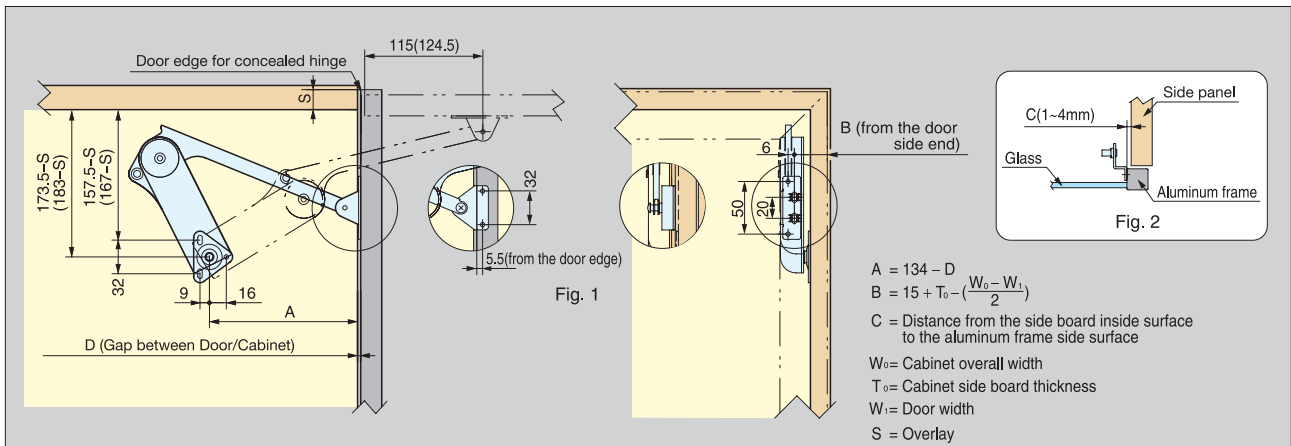
HEAVY DUTY SOFT-DOWN STAY



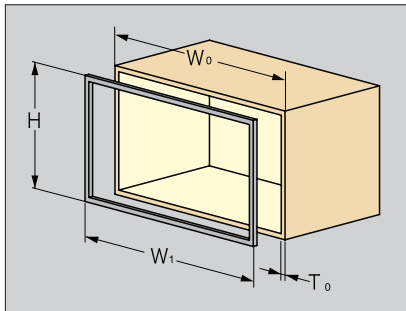
- For UPWARD-OPENING FLAP DOOR with concealed hinges.
- Used in pairs.
- HDSN-30 is designed to hold door in closed and opened position.
- Arm bracket for wood and aluminum frame available. Specify when ordering.
- Torque Calculation :
Torque = Door Height x 1/2 x Door Weight
In case of opening angle 90°
K-Type (Light Duty) :
140~179kg·cm (122~155 lbs·inch) / pair
M-Type (Medium Duty) :
180~219kg·cm (156~190 lbs·inch) / pair
H-Type (Heavy Duty) :
220~259kg·cm (191~225 lbs·inch) / pair
S-Type (Super Heavy Duty) :
260~300kg·cm (226~260 lbs·inch) / pair

Material	Finish/Color
Steel	Nickel
Plastic	Light Grey

Dimensions are for 90° opening, solid wood or 45mm width aluminum frame door.
For 80° opening, please use the figures in ().
Fig.1 and Fig. 2 show the dimensions for 20 mm width aluminum frame door using mounting plate HDSN-AZ.
Recommended concealed hinge is overlay / 105° opening / free swing type.

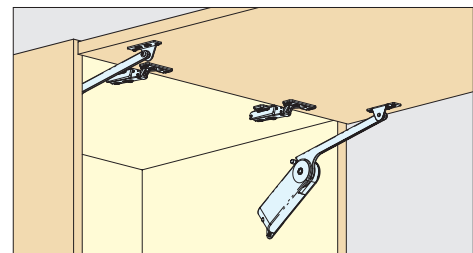


$A = 134 - D$
 $B = 15 + T_0 - \left(\frac{W_0 - W_i}{2}\right)$
 C = Distance from the side board inside surface to the aluminum frame side surface
 W_0 = Cabinet overall width
 T_0 = Cabinet side board thickness
 W_i = Door width
 S = Overlay



Calculate the door torque according to the following formula considering the weight and the height of the applicable door.

Door height (cm) / 2 x Door weight (kg) = Door torque (kg·cm)



Arm Mounting Plate (Sold separately, please specify when ordering.)

Item No.	Applicable Door
HDSN-SZ	45mm width aluminum frame door or wood door
HDSN-AZ	20mm width aluminum frame door

Item No.	Right	Type	Door torque		Box (pcs)	Carton (pcs)
			Opening angle 90°	Opening angle 80°		
HDSN-30KL	HDSN-30KR	K	140~179kg·cm (122~155 lbs·in)	140~199 kg·cm (122~173 lbs·in)	40	200
HDSN-30ML	HDSN-30MR	M	180~219kg·cm (156~190 lbs·in)	200~249 kg·cm (174~216 lbs·in)		
HDSN-30HL	HDSN-30HR	H	220~259 kg·cm (191~225 lbs·in)	250~299 kg·cm (217~260 lbs·in)		
HDSN-30SL	HDSN-30SR	S	260~300 kg·cm (226~260 lbs·in)	300~350 kg·cm (261~303 lbs·in)		