

# ADJUSTABLE SOFT-DOWN STAY



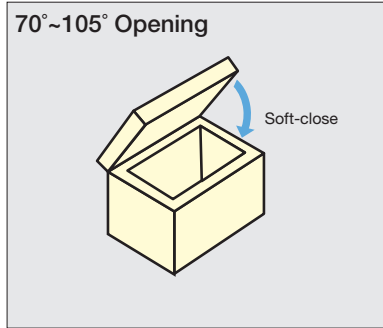
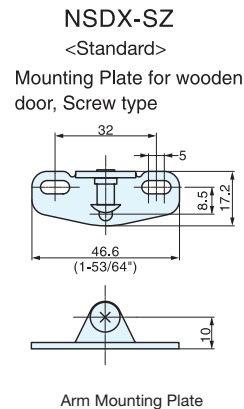
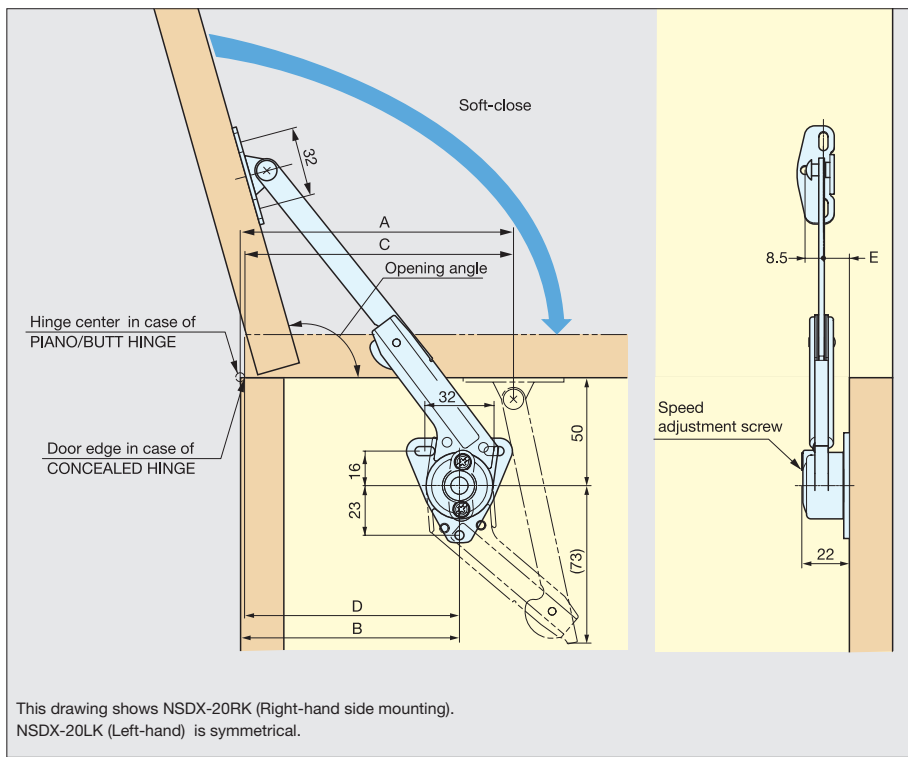
# NSDX-20

LID SUPPORTS

ADJUSTABLE SOFT-DOWN STAY



- For TOP-OPENING FLAP DOOR with piano, butt or concealed hinges.
- Opening angle 70° or 105°
- NSDX-20 is designed to hold door in fully opened position.
- Speed adjustment screw located on front for easy adjustment.
- Torque Calculation :  
 Torque = Door Height x 1/2 x Door Weight  
 Per Piece : 20~70 kg-cm (19~60 lbs-inch)  
 Per Pair : 40~140 kg-cm (38~120 lbs-inch)



Material		Finish		
Zinc Alloy		Nickel		
Steel		Nickel		
Item No.	Weight (g)	Box (pcs)	Carton (pcs)	
NSDX-20RK	Right	181	20	80
NSDX-20LK	Left			

Opening Angle	Hinge Type	A	B	C	D	E
70°	Concealed Hinge	-	-	126	101	12
	Piano/Butt Hinge	125	100	-	-	
105°	Concealed Hinge	-	-	103	78	12
	Piano/Butt Hinge	97	72	-	-	