

ADJUSTABLE SOFT-DOWN STAY

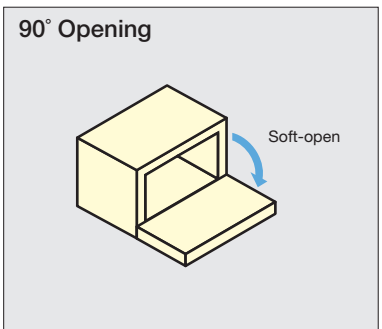
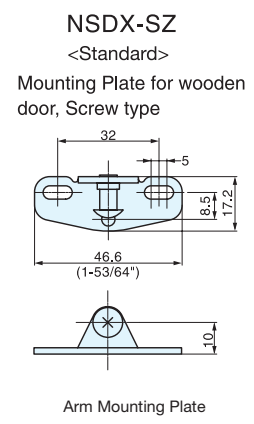
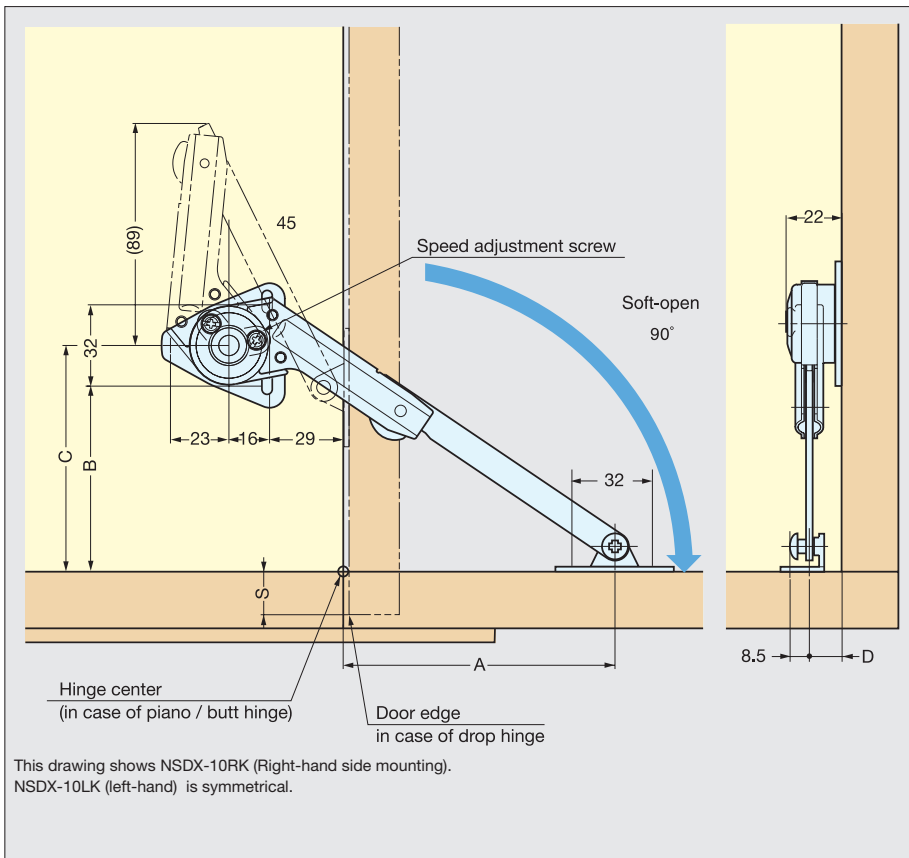


NSDX-10

LID SUPPORTS

ADJUSTABLE SOFT-DOWN STAY

- For DOWNWARD-OPENING FLAP DOOR with piano, butt or drop Hinges.
- NSDX-10 is designed to hold door in closed position.
- Speed adjustment screw located on front for easy adjustment.
- Torque Calculation :
 Torque = Door Height x 1/2 x Door Weight
 Per Piece : 20~70 kg·cm (19~60 lbs·inch)
 Per Pair : 40~140 kg·cm (38~120 lbs·inch)



"S" dimension is the overlay coverage for drop hinge(s).

Hinge Type	A	B	C	D
Drop Hinge (SDH-001)	97	106-S	122-S	12.8
Piano/Butt Hinge	90	99	115	

Item No.	Weight (g)	Box (pcs)	Carton (pcs)
NSDX-10RK Right	181	20	80
NSDX-10LK Left			

Material	Finish
Zinc Alloy	Nickel
Steel	Nickel