

SOFT-DOWN STAY (SHORT-ARM)



SDS-100TV



PAT

- For DOWNWARD-OPENING FLAP DOOR with piano, butt or drop hinges.
- Short arm type designed for small height door application.
- SDS-C100TV has a catch to hold the lid in closed position.
- SDS-100TV does not have catch feature. Designed to be used with magnetic catch or touch latch.
- Non-handed
- Torque Calculation:
Torque = Door Height x 1/2 x Door Weight
Per Piece: 0.5 ~ 12.0 kg-cm (0.45 ~ 10.4 lbs-inch)
Per Pair: 10.0 ~ 24.0 kg-cm (8.7 ~ 20.1 lbs-inch)



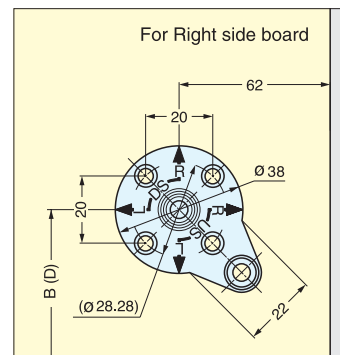
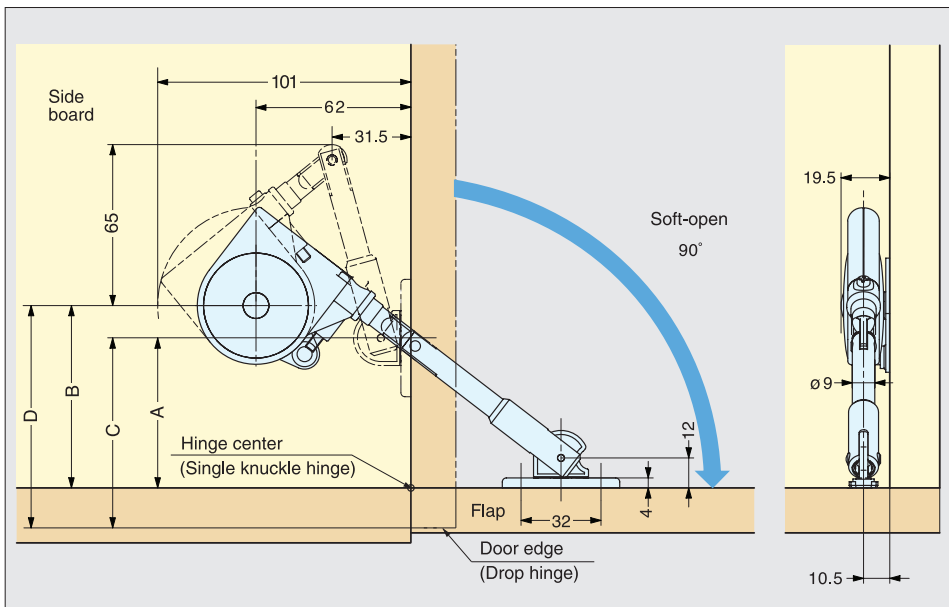
White



Black



Mounting Plate SDS-A



S=Overlay Coverage in case of drop hinge

Hinge Type	A	B	C	D
Single Knuckle Hinge	60	73	-	-
Drop Hinge	-	-	49+S	62+S

Item No.	Color	Weight (g)	Box (pcs)	Carton (pcs)
SDS-100W-TV	White	140	20	100
SDS-100B-TV	Black			
SDS-C100W-TV	White			
SDS-C100B-TV	Black			

Material	Finish/Color
Steel, Zinc Alloy	Nickel
Plastic	Black, White