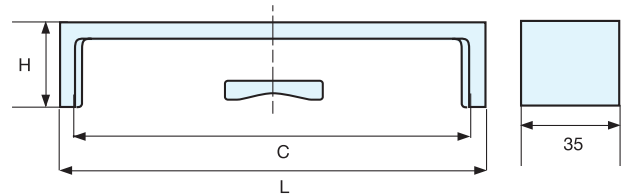


HANDLE



EG-44



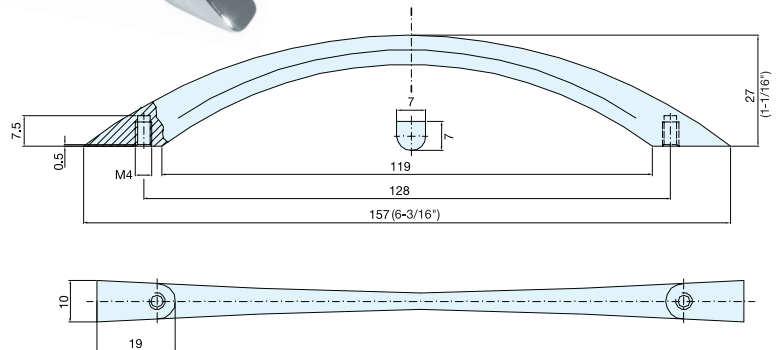
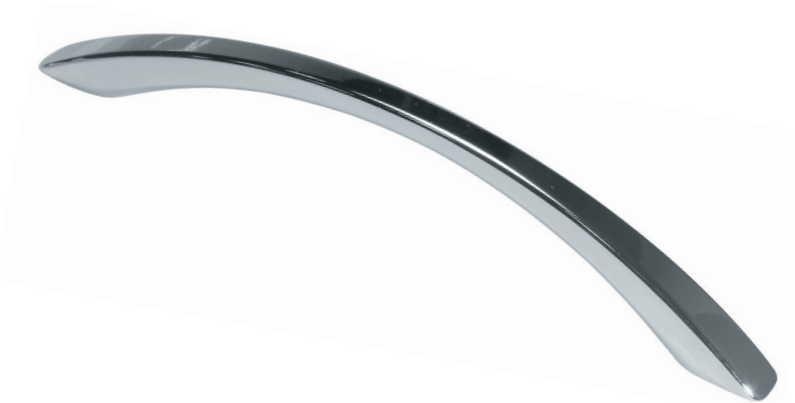
HANDLES, PULLS & KNOBS
HANDLES

Item No.		L	C	H	Weight (g)	Box (pcs)	Carton (pcs)	Material	Finish
EG-44160/SN	EG-44160/MC	169	160 (6-19/64")	30 (1-3/16")	258	25	250	Zinc Alloy	Satin Nickel (SN), Matte Chrome (MC)
EG-44224/SN	EG-44224/MC	233	224 (8-13/16")	30 (1-3/16")	324				

HANDLE



EG-9128



Item No.	Weight (g)	Box (pcs)	Carton (pcs)	Material	Finish
EG-9128	71	25	200	Zinc Alloy	Chrome