

# HANDLE



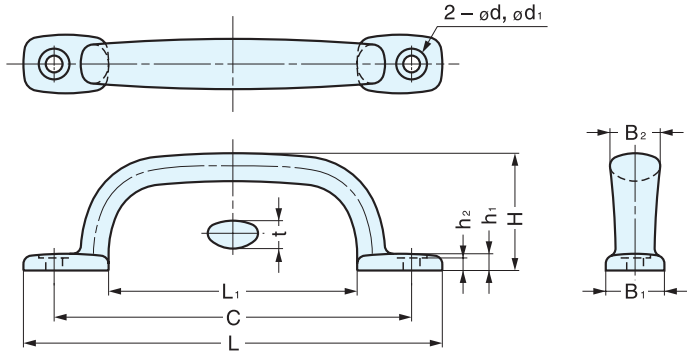
2LC

HANDLES, PULLS & KNOBS

HANDLES



PAT.P



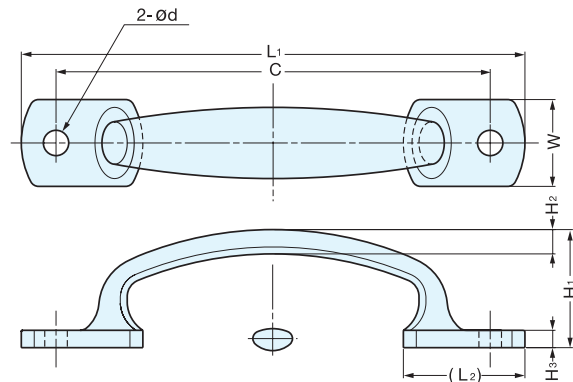
Material	Finish
316 Stainless Steel	Mirror

Item No.	L	L <sub>1</sub>	C	B <sub>1</sub>	B <sub>2</sub>	H	h <sub>1</sub>	h <sub>2</sub>	t	d	d <sub>1</sub>	Weight (g)	Box (pcs)	Carton (pcs)	Screw
2LC-80	80	32	64 (2-33/64")	16	14	35 (1-3/8")	5.5	4	8	5	9.5	70	12	144	4x20
2LC-120	120	64	96 (3-25/32")	18	16	36 (1-27/64")	6	4.5	9	6	11	106	8	96	
2LC-150	150	89	128 (5-1/32")	21	18	42 (1-42/64")		5	10			172	6	72	5x32
2LC-180	180	118	160 (7-3/32")	23	20	45 (1-49/64")	6.5	5	225	3	36				

# HANDLE



3LC



Item No.	L <sub>1</sub>	L <sub>2</sub>	W	H <sub>1</sub>	H <sub>2</sub>	H <sub>3</sub>	C	d	Weight (g)	Box (pcs)	Carton (pcs)
3LC-120	120	29	20	30 (1-3/16")	6	5	105 (4-9/64")	5.5	90	100	500
3LC-130	130	30	22	33 (1-19/64")	7	6	115 (4-17/32")		120		
3LC-145	145	35	25	34 (1-11/32")			6.5	155	80	400	

Material	Finish
304 Stainless Steel	Mirror