

SDS-C301N SOFT-DOWN STAY

UPWARD-OPENING FLAP with Concealed Hinges or Single Knuckle Hinges.



Material: Plastic, Steel, Zinc Alloy

Finish: Nickel

Supplied with screws (3.5 x 14).

SDS-C301N is designed to securely latch a flap closed and hold the flap in the fully opened position.

Torque Calculation: Torque = Door Height x 1/2 x Door Weight

Per Piece : 40-70kg · cm (35-60 lbs · inch)

Per Pair : 80-140kg · cm (70-120 lbs · inch)

Recommended door thickness: 20 mm (25/32")

*SDS-C301N-60 (light duty) also available

Torque moment: 30-50kg·cm/pc



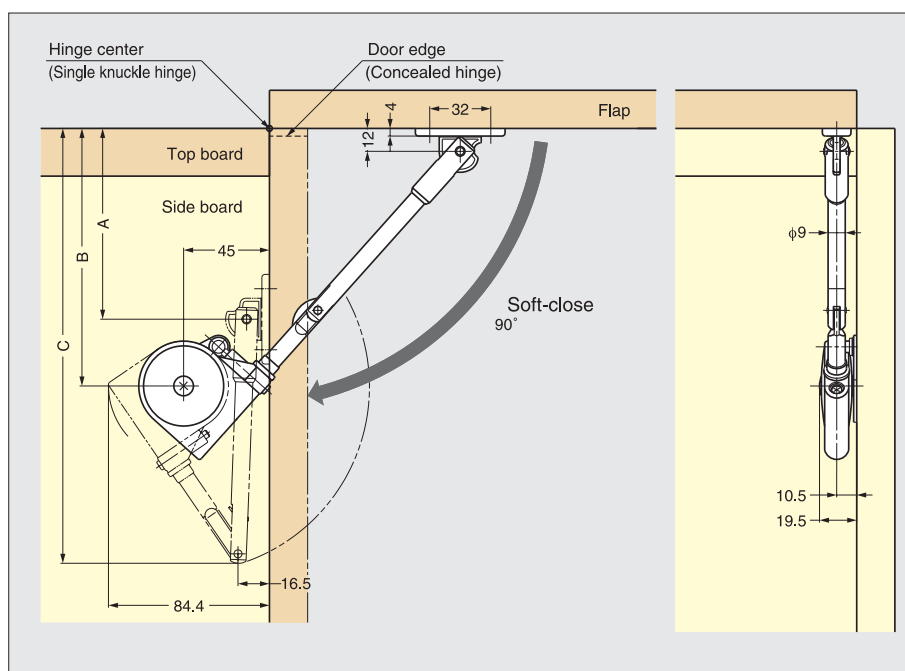
White



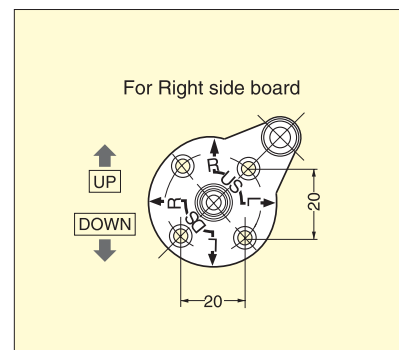
Black

Hinge Type	Coverage	A	B	C
Concealed Hinge	Unspecified	108	143	232
	Overlay	100	135	233
Single Knuckle Hinge	Inset	97	132	220

Item No.	Color	Weight (g)	Box (pcs)	Carton (pcs)
SDS-C301N/WHT	White	165	20	100
SDS-C301N/BLK	Black	165	20	100



Mounting Plate SDS-A

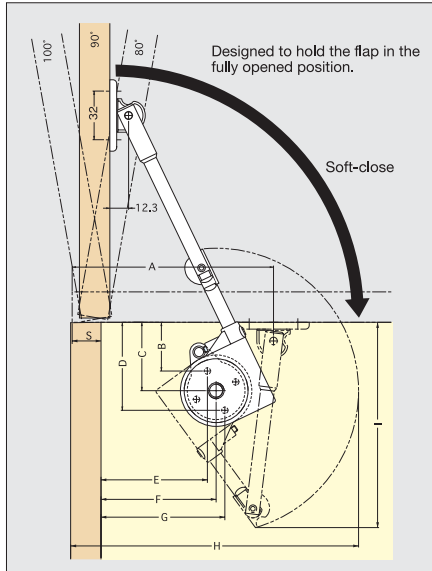


SDS-C301N SOFT-DOWN STAY

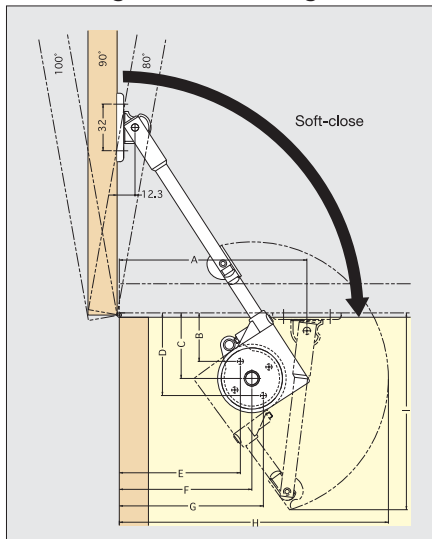


TOP-OPENING FLAP with Concealed Hinges or Single Knuckle Hinges.

With Concealed Hinge



With Single Knuckle Hinge



Concealed Hinge

Opening angle	A	B	C	D	E	F	G	H	I
80°	141	319	45	58.1	98.2-S	103.5-S	108.8-S	197.5	134.8
90°	132.5	32.3	45	57.7	88.7-S	95-S	101.3-S	189	134.8
100°	126.5	32.9	45	57.1	81.2-S	88.5-S	95.8-S	182.5	134.8

S=Coverage

Single Knuckle Hinge Overlay Type

Opening angle	A	B	C	D	E	F	G	H	I
80°	138.5	32.6	45	57.4	94.1	101	107.9	195	134.8
90°	128.5	33.2	45	56.8	83.1	91	98.9	185	134.8
100°	121.5	33.9	45	56.1	75.2	84	92.8	178	134.8

Inset Type

Opening angle	A	B	C	D	E	F	G	H	I
80°	129	31.7	45	58.3	86.7	91.5	96.3	185.5	134.8
90°	118.5	32	45	58	75.3	81	86.7	175	134.8
100°	111	32.5	45	57.5	67	73.5	80	167.5	134.8

SDS FACE PLATE

Material: Zinc Alloy
ABS Plastic

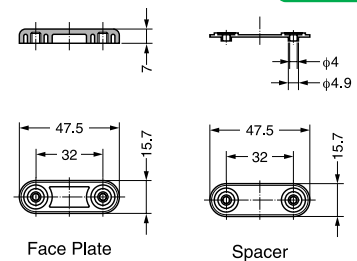
Finish: Chrome (CR)
Black (BLK)

Supplied with screws (M4 × 14).



FACE PLATE

SPACER



Face Plate

Spacer

Face plate shown above is also available for glass doors (SDS-50G).

Item No.	Weight (g)
SDS-50G/CR	25
SDS-50G/BLK	