

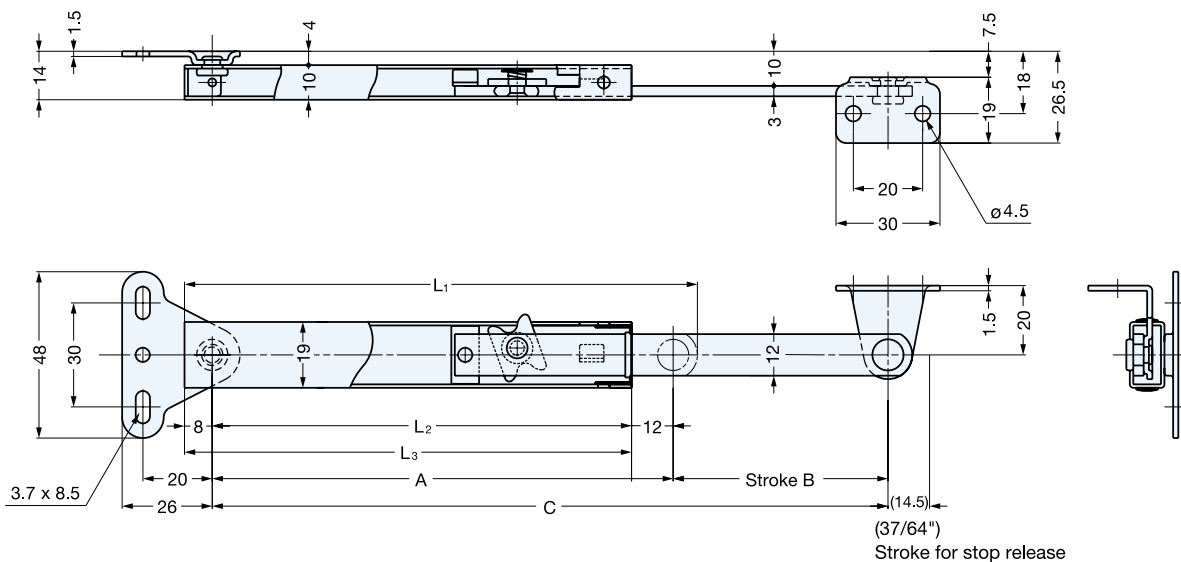
LID STAY



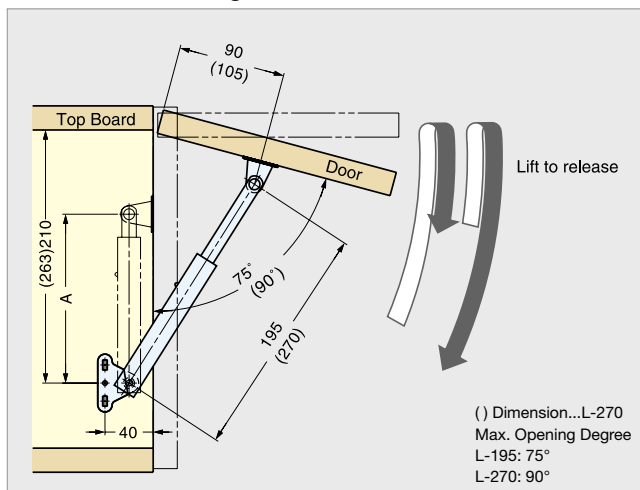
L-195, 270

- Stainless steel stay for holding lid in open position.
- Lift up lid to release.
- Non-handed
- Only one stay per lid required.
- Load Capacity: 15 kg (33 lbs) /each

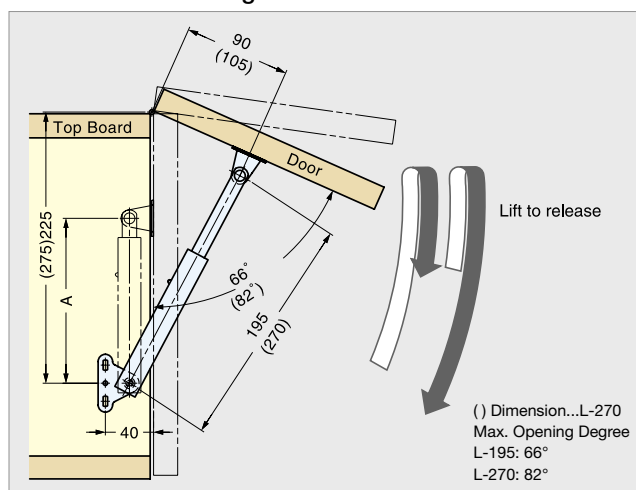
Material	Finish
304 Stainless Steel	Satin



With Concealed Hinge



With Piano / Butt Hinge



Item No.	L ₁	L ₂	L ₃	A	B	C	Door Height	Weight (g)	Box (pcs)	Carton (pcs)
L-195	148 (5-53/64")	121	129	133 (5-15/64")	62	195 (7-43/64")	250~350 (9-27/32~13-25/32")	125	10	100
L-270	185 (7-9/32")	158	166	170 (6-11/16")	100	270 (10-5/8")	320~500 (12-19/32~19-11/16")	150	10	100