

ADJUSTABLE SOFT-DOWN STAY



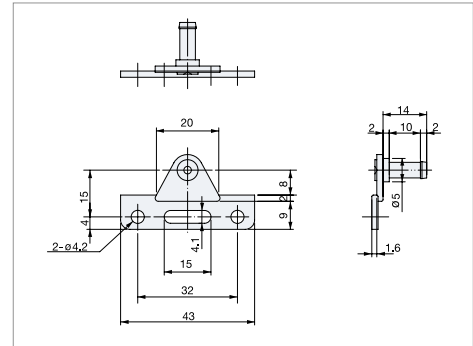
NSD-35



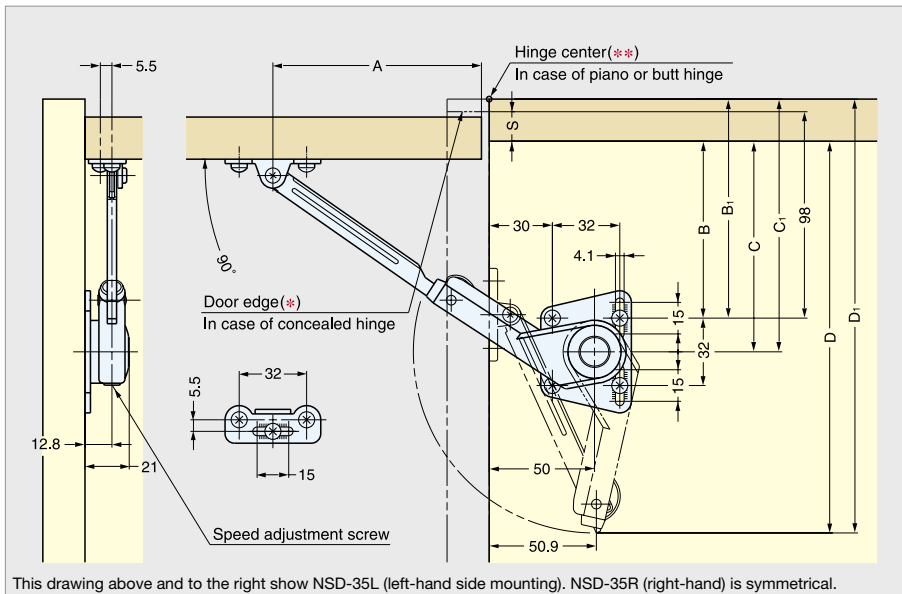
- For UPWARD-OPENING FLAP DOOR with piano, butt or concealed hinges.
- Opening angle adjustable from 80° to 100°
- NSD-35 is designed to hold door in fully opened position.
- Two stop version (holds door at 65° and 90°) is also available.
- Torque Calculation :
 Torque = Door Height x 1/2 x Door Weight
 Per Piece : 20~70 kg·cm (19~60 lbs·inch)
 Per Pair : 40~140 kg·cm (38~120 lbs·inch)

Material	Finish
Zinc Alloy, Steel	Bright Nickel

NSDX-AZ Angle Bracket

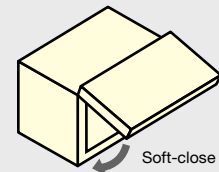


NSDX-AZ (angle bracket) for aluminum frame application available upon request.



This drawing above and to the right show NSD-35L (left-hand side mounting). NSD-35R (right-hand) is symmetrical.

80°~100° Opening



Opening Angle	80°		90°		100°	
	Down		Middle		Up	
Position of Plates	Mounting Plate	Arm Bracket	Mounting Plate	Arm Bracket	Mounting Plate	Arm Bracket
For Hinge Center (Up) ↕ (Down)						

Hinge Type	A	B	C	D	B ₁	C ₁	D ₁	Item No.	Weight (g)	Box (pcs)	Carton (pcs)
Concealed Hinge	99	98-S	114-S	200-S	-	-	-	NSD-35R	210	20	80
Piano / Butt Hinge	93	-	-	-	92	108	194	NSD-35L	210	20	80

