

# SOFT-DOWN STAY



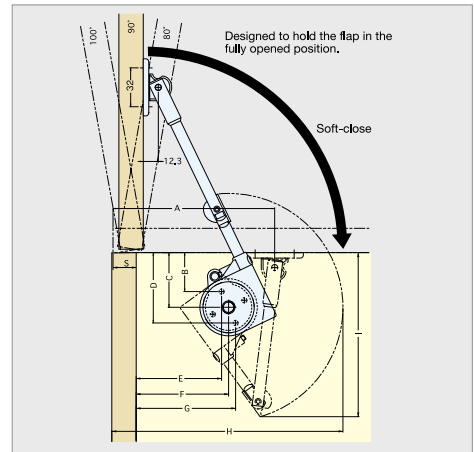
# SDS-C301N



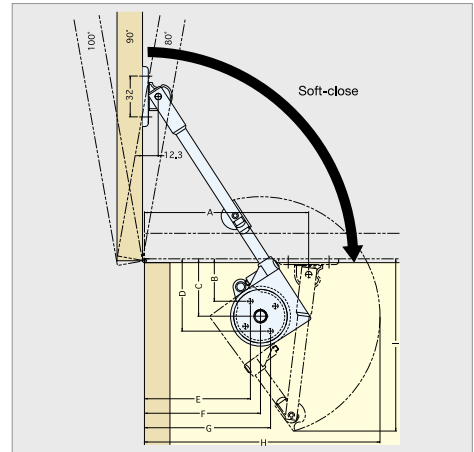
- For TOP-OPENING FLAP DOOR with concealed, piano or butt hinges.
- Designed to hold door in fully opened position.
- Non-handed

Material	Finish/Color
Steel, Zinc Alloy	Nickel
Plastic	Black, White

### With Concealed Hinge



### With Single Knuckle Hinge



### Concealed Hinge

Opening angle	S=Coverage								
	A	B	C	D	E	F	G	H	I
80°	141	31.9	45	58.1	98.2-S	103.5-S	108.8-S	197.5	134.8
90°	132.5	32.3	45	57.7	88.7-S	95 -S	101.3-S	189	134.8
100°	126.5	32.9	45	57.1	81.2-S	88.5-S	95.8-S	182.5	134.8

### Single Knuckle Hinge / Overlay Type

Opening angle	S=Coverage								
	A	B	C	D	E	F	G	H	I
80°	138.5	32.6	45	57.4	94.1	101	107.9	195	134.8
90°	128.5	33.2	45	56.8	83.1	91	98.9	185	134.8
100°	121.5	33.9	45	56.1	75.2	84	92.8	178	134.8

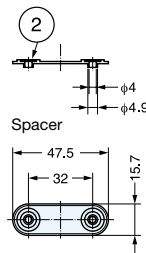
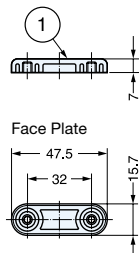
### Single Knuckle Hinge / Inset Type

Opening angle	S=Coverage								
	A	B	C	D	E	F	G	H	I
80°	129	31.7	45	58.3	86.7	91.5	96.3	185.5	134.8
90°	118.5	32	45	58	75.3	81	86.7	175	134.8
100°	111	32.5	45	57.5	67	73.5	80	167.5	134.8

# SDS FACE PLATE



# SDS-50G



- Cover plate for glass door applications
- To be used with SDS or NSD soft-down stays.

No.	Part Name	Material	Finish/Color
①	Face Plate	Zinc Alloy	Chrome (CR) Black (BLK)
②	Spacer	ABS	Black

Item No.	Weight (g)	Box	Carton
SDS-50G/BLK	25	100	400
SDS-50G/CR	25	100	400