















CASTERS & LEVELLING GLIDES



SELF ADJUSTING GLIDES
LIGHT TO HEAVY DUTY
DUAL BRAKE CASTERS
LOW PROFILE

LEVELING GUIDES

| Picture | Item No. | | Load Capacity (lbs) | Height | Page |
|---------|--------------------------------|--|---------------------|----------------------|------|
| | SDY-TRSB (HEAVY DUTY) | | 14300 - 24200 | 9-63/64" ~ 14-27/64" | 404 |
| | SDY-L (HEAVY DUTY) | | - | 1-37/64" ~ 2-3/4" | 404 |
| | SDY-MS | | 5500 - 6600 | 7-7/8" ~ 13-57/64" | 405 |
| | SDY-MSR | | 4400 - 5500 | 8-7/64" ~ 10-15/64" | 405 |
| | SDY-MAS | | 4400 - 5500 | 7-3/4" ~ 9-59/64" | 406 |
| | SDY-MASR | | 3300 - 4400 | 6-7/32" ~ 10-19/32" | 406 |
| | ADPS | | 660 - 1938 | 3" ~ 8-5/16" | 407 |
| | ADCS | | 660 - 1938 | 4-59/64" ~ 8-17/64" | 407 |
| | MKPS | | 440 - 881 | 1-1/16" ~ 2-23/64" | 408 |
| | MKRS | | 88 - 220 | 1-27/64" ~ 2-1/32" | 408 |
| | MKPLS | | 440 - 704 | 1-17/64" ~ 1-31/32" | 409 |
| | MKRLS | | 440 - 748 | 3-25/32" ~ 3-15/16" | 409 |
| | ADWS, ADWHS | | 948 - 3326 | 2-3/4" ~ 8-17/64" | 410 |
| | ADHS, ADHSK (SUPER HEAVY DUTY) | | 6600 - 9900 | 7-7/16" ~ 9-39/64" | 411 |













| Picture | Item No. | Load Capacity (lbs) | Height | Page |
|---|----------|---|---------------------|------|
|  | MN | 264 - 352 | 1-37/64" ~ 1-31/32" | 412 |
|  | RP | 132 - 1368 | 1-7/32" ~ 2-5/8" | 412 |
|  | MKP | 264 - 352 | 1-27/64" ~ 1-15/32" | 413 |
|  | MKR | 264 - 352 | 1-27/64" ~ 1-15/32" | 413 |
|  | MDSF | 449 - 1680 | 2-37/64" ~ 5-43/64" | 414 |
|  | SAJ30 | 110 | 1-19/64" ~ 1-47/64" | 415 |
|  | MKRL | 132 - 176 | 2-21/64" ~ 5-25/64" | 416 |
|  | TN | 308 | 2-23/64" | 417 |
|  | TG | 220 - 396 | 53/64" ~ 1-1/32" | 417 |
|  | EA | 110 - 594 | 1-7/32" ~ 2-1/64" | 417 |
|  | AP-36 |  | 15/32" ~ 29/64" | 418 |
|  | KD-555 | - | - | 418 |
|  | FA55-FIX | - | - | 418 |

TWIN WHEEL CASTERS






| Picture | Item No. | Load Capacity (lbs) | Wheel Diameter | Page |
|---------|--------------|---------------------|----------------|------|
| | FA-55-PS, P | 176 | 2-3/32" | 419 |
| | FP-55-PS, P | 110 | 2-3/32" | 419 |
| | FA-55-NS, N | 176 | 2-3/32" | 420 |
| | FP-55-NS, N | 110 | 2-3/32" | 420 |
| | FAU-55-NS, N | 154 | 2-3/32" | 421 |
| | FPU-55-NS, N | 110 | 2-3/32" | 421 |
| | FA-45-PS, P | 110 | 1-57/64" | 422 |
| | FP-45-PS, P | 88 | 1-57/64" | 422 |
| | FA-45-NS, N | 110 | 1-57/64" | 423 |
| | FP-45-NS, N | 88 | 1-57/64" | 423 |

HIGH DURABILITY & HEAVY DUTY STAINLESS STEEL CASTERS



| Picture | Item No. | Load Capacity (lbs) | Wheel Diameter | Page |
|---------|--------------------------------|---------------------|-------------------|------|
| | HIGH DURABILITY URETHANE WHEEL | - | - | 426 |
| | JS300 | 880-6160 | 1-31/32" ~ 7-7/8" | 427 |
| | JS310 | - | 1-31/32" ~ 7-7/8" | 427 |

| Picture | Item No. | Load Capacity (lbs) | Wheel Diameter | Page |
|---|----------|---|-------------------|------|
|  | JS315 |  3300 - 6160 | 4-23/32" ~ 7-7/8" | 428 |
|  | JS325 |  - | 4-23/32" ~ 7-7/8" | 428 |
|  | JS365 |  880 - 6160 | 1-31/32" ~ 7-7/8" | 429 |
|  | JS380 |  - | 1-31/32" ~ 7-7/8" | 429 |
|  | JS375 |  880 - 6160 | 1-31/32" ~ 7-7/8" | 430 |
|  | JS385 |  - | 1-31/32" ~ 7-7/8" | 430 |

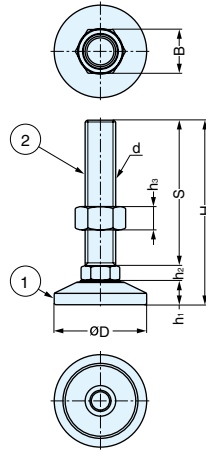
LOW PROFILE HEAVY DUTY CASTERS

| Picture | Item No. | Load Capacity (lbs) | Wheel Diameter | Page |
|---|----------------------|---------------------|---------------------|------|
|  | UHG (HEAVY DUTY) | 898 - 1795 | 1-31/32" ~ 3-15/16" | 431 |
|  | UHGK (HEAVY DUTY) | 897 - 1346 | 1-31/32" ~ 3-15/16" | 431 |
|  | HG (HEAVY DUTY) | 359 - 719 | 1-31/32" ~ 2-61/64" | 432 |
|  | HR (HEAVY DUTY) | 359 - 561 | 1-31/32" ~ 3-15/16" | 432 |
|  | HT-65PB (HEAVY DUTY) | 449 | 2-9/16" | 433 |

CASTERS WITH LEVELING GLIDES

| Picture | Item No. | Load Capacity (lbs) | Wheel Diameter | Page |
|---|-----------|---------------------|--------------------|------|
|  | AF-50, 65 | 561 | 1-31/32" ~ 2-9/16" | 434 |
|  | CA | 132-424 | - | 435 |

ULTRA HEAVY DUTY STAINLESS STEEL LEVELING GLIDE SDY-TRSB



- Ultra heavy duty leveling glide (14,300 lbs – 24,200 lbs).
- Anti-seize coating.
- Built-in bearing allows for easy leveling adjustment.
- 30 degrees trapezoidal thread screw.
- Glide base "SDY-L" required.

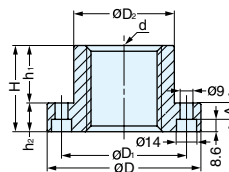
| Part Name | Material | Finish |
|-----------|---------------------|-----------------|
| Base | 304 Stainless Steel | Electropolished |
| Bolt | | |

| Item No. | d | D | H | h ₁ | h ₂ | h ₃ | S | B | Weight (g) | Load Capacity (kg) |
|-----------------|------|--------------|--------------------|----------------|----------------|----------------|-----------------|-----------------|------------|--------------------|
| SDY-TRSB-42-200 | Tr42 | 127 | 253.5 (9-63/64") | 33.5 | 20 | 32 | 200 (7-7/8") | 60 (2-23/64") | 4820 | 6500 (14300 lbs) |
| SDY-TRSB-42-300 | | (5") | 353.5 (13-59/64") | (1-5/16") | (25/32") | (1-17/64") | 300 (11-13/16") | | 5720 | |
| SDY-TRSB-52-200 | Tr52 | 137 | 260.5 (10-1/4") | 38.5 | 22 | 42 | 200 (7-7/8") | 80 (3-5/32") | 7680 | 9000 (19800 lbs) |
| SDY-TRSB-52-300 | | (5-25/64") | 360.5 (14-3/16") | (1-33/64") | (55/64") | (1-21/32") | 300 (11-13/16") | | 9080 | |
| SDY-TRSB-60-200 | Tr60 | 147 | 266.5 (10-31/64") | 42.5 | 24 | 48 | 200 (7-7/8") | 90 (3-35/64") | 10340 | 11000 (24200 lbs) |
| SDY-TRSB-60-300 | | (5-25/32") | 366.5 (14-27/64") | (1-43/64") | (15/16") | (1-57/64") | 300 (11-13/16") | | 12140 | |

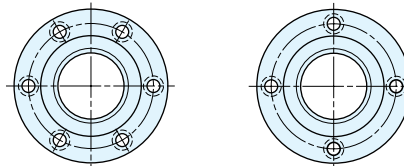
GLIDE BASE FOR "SDY" HEAVY DUTY LEVELING GLIDE



SDY-L



- Glide base for:
SDY-TRSB
SDY-TRAS
SDY-MS-42 Series



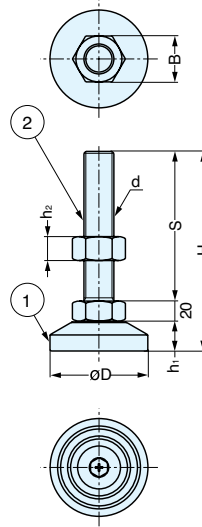
| Material | Finish |
|----------|--------|
| Brass | Nickel |

| Item No. | d | D | D ₁ | D ₂ | H | h ₁ | h ₂ | A | Weight (g) |
|-----------------------|-----------------------------------|-----------------------------|----------------------------|---------------------------|----------------------------|----------------------------|----------------------------|------------------------------|-----------------|
| SDY-LMB-42 | M42 (For Metric screw) | 97 (3-13/16") | 77 (3-1/32") | 60 (2-23/64") | 40 (1-37/64") | 22 (55/64") | 18 (0-45/64") | 9.4 (0-3/8") | 1200 |
| SDY-LMB-42 | M42 (For Metric screw) | 107 (4-7/32") | 87 (3-27/64") | 70 (2-3/4") | 50 (1-31/32") | 30 (1-3/16") | 20 (0-25/32") | 11.4 (0-29/64") | 1640 |
| SDY-LMB-52 | M52 (For Metric screw) | 117 (4-39/64") | 97 (3-13/16") | 80 (3-5/32") | 60 (2-23/64") | 40 (1-37/64") | 20 (0-25/32") | 11.4 (0-29/64") | 2150 |
| SDY-LTB-42 | Tr42 × 6 (For Trapezoid screw) | 97 (3-13/16") | 77 (3-1/32") | 60 (2-23/64") | 50 (1-31/32") | 32 (1-17/64") | 18 (0-45/64") | 9.4 (0-3/8") | 1330 |
| SDY-LTB-52 | Tr52 × 7 (For Trapezoid screw) | 107 (4-7/32") | 87 (3-27/64") | 70 (2-3/4") | 60 (2-23/64") | 40 (1-37/64") | 20 (0-25/32") | 11.4 (0-29/64") | 1800 |
| SDY-LTB-60 | Tr60 × 8 (For Trapezoid screw) | 117 (4-39/64") | 97 (3-13/16") | 80 (3-5/32") | 70 (2-3/4") | 50 (1-31/32") | 20 (0-25/32") | 11.4 (0-29/64") | 2360 |

HEAVY DUTY STAINLESS STEEL LEVELING GLIDE



SDY-MS



- Heavy duty leveling glide (5,500 lbs – 6,600 lbs).
- Anti-seize coating.
- SDY-MS-42 can be used with SDY-L base (sold separately).

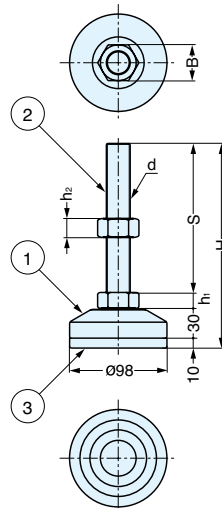
| Part Name | Material | Finish |
|-----------|---------------------|-----------------|
| Base | 304 Stainless Steel | Electropolished |
| Bolt | | |

| Item No. | d | ØD | H | h ₁ | h ₂ | S | B | Weight (g) | Load Capacity (kg) |
|---------------|-----|---------------|-------------------|--------------------|--------------------|-------------------|--------------------|------------|--------------------|
| SDY-MS-30-150 | M30 | 98 | 200 (7-7/8") | 30 | 24 | 150 (5-29/32") | 46 | 2650 | 2500 (5500 lbs) |
| SDY-MS-30-200 | | (3-55/64") | 250 (9-27/32") | (1-3/16") | (15/16") | 200 (7-7/8") | (1-13/16") | 2950 | |
| SDY-MS-42-150 | M42 | 127 (5") | 203 (7-63/64") | 33 (1-19/64") | 32 (1-17/64") | 150 (5-29/32") | 60 (2-23/64") | 4680 | 3000 (6600 lbs) |
| SDY-MS-42-200 | | | 253 (9-61/64") | | | 200 (7-7/8") | | 5170 | |
| SDY-MS-42-250 | | | 303 (11-59/64") | | | 250 (9-27/32") | | 5600 | |
| SDY-MS-42-300 | | | 353 (13-57/64") | | | 300 (11-13/16") | | 6060 | |

HEAVY DUTY STAINLESS STEEL LEVELING GLIDE



SDY-MSR



- Heavy duty leveling glide (4,400 lbs – 5,500 lbs).
- Anti-seize coating.
- Nitrile rubber base prevents scratching the floor.

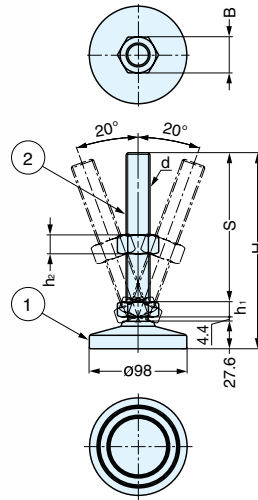
| Part Name | Material | Finish |
|-----------|---------------------|---------------------------|
| Body | 304 Stainless Steel | Electropolished |
| Bolt | | |
| Base | | Black Nitrile Ruber (NBR) |

| Item No. | d | H | h ₁ | h ₂ | S | B | Weight (g) | Load Capacity (kg) |
|----------------|-----|-------------------|----------------|----------------|------------------|--------------|------------|--------------------|
| SDY-MSR-24-150 | M24 | 206 (8-7/64") | 16 | 19 | 150 (5-29/32") | 36 | 2140 | 2000 (4400 lbs) |
| SDY-MSR-24-200 | | 256 (10-5/64") | (5/8") | (3/4") | 200 (7-7/8") | (1-27/64") | 2300 | |
| SDY-MSR-30-150 | M30 | 210 (8-17/64") | 20 | 24 | 150 (5-29/32") | 46 | 2780 | 2500 (5500 lbs) |
| SDY-MSR-30-200 | | 260 (10-15/64") | (25/32") | (15/16") | 200 (7-7/8") | (1-13/16") | 3080 | |

HEAVY DUTY LEVELING GLIDE (SWIVEL BOLT)



SDY-MAS



- Heavy duty leveling glide (4,400 lbs – 5,500 lbs).
- Anti-seize coating.
- Swivels approximately 40° to compensate for uneven floors.

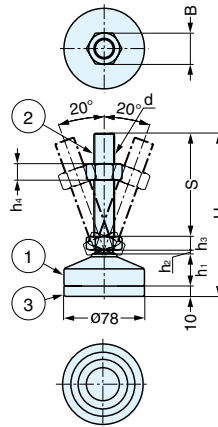
| Part Name | Material | Finish |
|-----------|---------------------|-----------------|
| Base | 304 Stainless Steel | Electropolished |
| Bolt | | |

| Item No. | d | H | h ₁ | h ₂ | S | B | Weight (g) | Load Capacity (kg) |
|----------------|-----|----------------|----------------|----------------|----------------|------------------|------------|--------------------|
| SDY-MAS-24-150 | M24 | 197 (7-3/4") | 15 | 19 | 150 (5-29/32") | 36 (1-27/64") | 1750 | 2000 (4400 lbs) |
| SDY-MAS-24-200 | | 247 (9-23/32") | (19/32") | (3/4") | 200 (7-7/8") | | 1910 | |
| SDY-MAS-30-150 | M30 | 202 (7-61/64") | 20 | 24 | 150 (5-29/32") | 46 (1-13/16") | 2240 | 2500 (5500 lbs) |
| SDY-MAS-30-200 | | 252 (9-59/64") | (25/32") | (15/16") | 200 (7-7/8") | | 2540 | |

HEAVY DUTY LEVELING GLIDE (SWIVEL BOLT)



SDY-MASR



- Heavy duty leveling glide (3,300 lbs – 4,400 lbs).
- Anti-seize coating.
- Swivels approximately 40° to compensate for uneven floors.

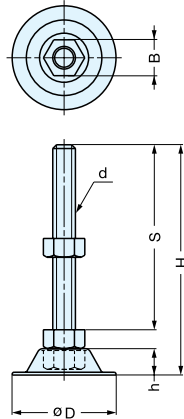
| Part Name | Material | Finish |
|-----------|---------------------|---------------------------|
| Body | 304 Stainless Steel | Electropolished |
| Bolt | | |
| Base | | Black Nitrile Ruber (NBR) |

| Item No. | d | H | h ₁ | h ₂ | h ₃ | h ₄ | S | B | Weight (g) | Load Capacity (kg) |
|-----------------|-----|-----------------|-------------------|------------------|----------------|----------------|----------------|------------------|------------|--------------------|
| SDY-MASR-20-100 | M20 | 158 (6-7/32") | 31.0 (1-7/32") | 4.0 (5/32") | 13 (33/64") | 16 (5/8") | 100 (3-15/16") | 30 (1-3/16") | 980 | 1500 (3300 lbs) |
| SDY-MASR-20-150 | | 208 (8-3/16") | | | | | 150 (5-29/32") | | 1080 | |
| SDY-MASR-20-200 | | 258 (10-5/32") | | | | | 200 (7-7/8") | | 1180 | |
| SDY-MASR-24-150 | M24 | 219 (8-5/8") | 39.6 (1-9/16") | 4.4 (11/64") | 15 (19/32") | 19 (3/4") | 150 (5-29/32") | 36 (1-27/64") | 1300 | 2000 (4400 lbs) |
| SDY-MASR-24-200 | | 269 (10-19/32") | | | | | 200 (7-7/8") | | 1460 | |

STAINLESS STEEL LEVELING GLIDE



ADPS



- Nut on bottom of glide allows easy installation and height adjustment with socket wrench.

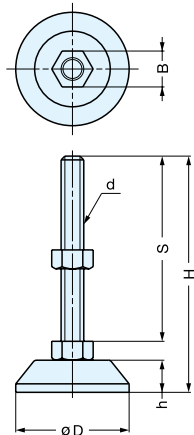
| Material | Finish |
|---------------------|----------|
| 304 Stainless Steel | Polished |

| Item No. | D | H | h | S | B | d | Load Capacity (kg) | Weight (g) | Box (pcs) | Carton (pcs) |
|---------------|-------------------|-------------------|------|-----------------|----------------|--------------|--------------------|------------|-----------|--------------|
| ADPS37-8-60 | 37 (1-26/64") | 76.0 (3") | 10.5 | 60 (2-23/64") | 13 (33/64") | M8 × 1.25 | 300 (660 lbs) | 56 | 200 | 2000 |
| ADPS37-10-50 | | 67.5 (2-21/32") | | 50 (1-31/32") | 17 (43/64") | M10 × 1.50 | | 78 | | |
| ADPS55-12-100 | 55 (2-5/32") | 122.0 (4-13/16") | 14.0 | 100 (3-15/16") | 19 (3/4") | M12 × 1.75 | | 174 | 100 | 1000 |
| ADPS55-12-120 | | 142.0 (5-19/32") | | 120 (4-23/32") | | | | 184 | 80 | 800 |
| ADPS55-12-150 | | 172.0 (6-25/32") | | 150 (5-29/32") | | | 210 | 70 | 700 | |
| ADPS75-16-100 | 75 (2-61/64") | 128.0 (5-1/32") | 18.0 | 100 (3-15/16") | 24 (15/16") | M16 × 2.00 | 560 (1233 lbs) | 318 | 50 | 500 |
| ADPS75-16-130 | | 158.0 (6-7/32") | | 130 (5-1/8") | | | | 358 | 40 | 400 |
| ADPS75-16-150 | | 178.0 (7") | | 150 (5-29/32") | | | | 382 | 30 | 300 |
| ADPS75-16-180 | | 208.0 (8-3/16") | | 180 (7-3/32") | 426 | | | | | |
| ADPS75-20-100 | | 131.0 (5-5/32") | | 100 (3-15/16") | 490 | 40 | | 400 | | |
| ADPS75-20-130 | | 161.0 (6-11/32") | | 130 (5-1/8") | 880 (1938 lbs) | 30 (1-3/16") | | M20 × 2.50 | 553 | 30 |
| ADPS75-20-150 | 181.0 (7-1/8") | 150 (5-29/32") | 593 | | | | | | | |
| ADPS75-20-180 | 211.0 (8-5/16") | 180 (7-3/32") | 655 | 25 | | | 250 | | | |

STAINLESS STEEL LEVELING GLIDE



ADCS



- Nut on bottom of glide allows easy installation and height adjustment with socket wrench.

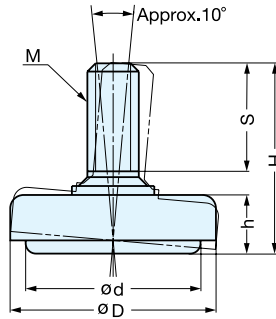
| Material | Finish |
|---------------------|----------|
| 304 Stainless Steel | Polished |

| Item No. | D | H | h | S | B | d | Load Capacity (kg) | Weight (g) | Box (pcs) | Carton (pcs) |
|---------------|------------------|------------------|----|-----------------|----------------|--------------|--------------------|------------|-----------|--------------|
| ADCS60-12-100 | 60 (2-23/64") | 125 (4-59/64") | 17 | 100 (3-15/16") | 19 (3/4") | M12 × 1.75 | 300 (660 lbs) | 340 | 60 | 600 |
| ADCS60-12-120 | | 145 (5-45/64") | | 120 (4-23/32") | | | | 365 | | |
| ADCS60-12-150 | | 175 (6-57/64") | | 150 (5-29/32") | | | | 375 | | |
| ADCS60-16-100 | | 127 (5") | | 100 (3-15/16") | 440 | 50 | | 500 | | |
| ADCS60-16-130 | | 157 (6-3/16") | | 130 (5-1/8") | 480 | 50 | | 500 | | |
| ADCS60-16-150 | | 177 (6-31/32") | | 150 (5-29/32") | 510 | 40 | | 400 | | |
| ADCS60-16-180 | | 207 (8-5/32") | | 180 (7-3/32") | 550 | 35 | 350 | | | |
| ADCS60-20-100 | | 130 (5-1/8") | | 100 (3-15/16") | 590 | | | | | |
| ADCS60-20-130 | | 160 (6-19/64") | | 130 (5-1/8") | 880 (1938 lbs) | 30 (1-3/16") | M20 × 2.50 | 650 | 40 | 400 |
| ADCS60-20-150 | | 180 (7-3/32") | | 150 (5-29/32") | | | | 690 | 35 | 350 |
| ADCS60-20-180 | | 210 (8-17/64") | | 180 (7-3/32") | | | | 750 | 30 | 300 |

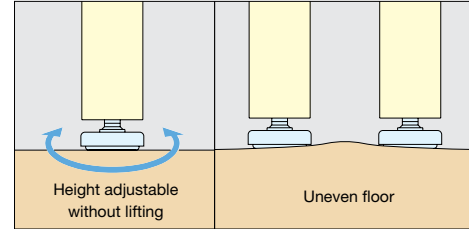
STAINLESS STEEL LEVELING GLIDE



MKPS



- Double structure of cover/bolt and base allows easy height adjustment without lifting the leg.
- Swivels approximately 10° to compensate for uneven floors.
- 304 stainless steel construction is ideal for humid environments or applications where corrosion is an issue.



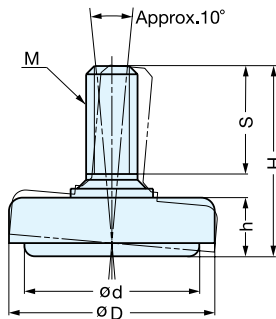
| Material | Finish |
|---------------------|--------|
| 304 Stainless Steel | Satin |

| Item No. | M | D | d | H | h | S | Load Capacity (kg) | Weight (g) | Box (pcs) | Carton (pcs) |
|------------|------------|---------------|---------------|-----------------|---------------|-------------|--------------------|------------|-----------|--------------|
| MKPS-32N3 | W3/8-16 | 32 (1-17/64") | 27 (1-1/16") | 36.0 (1-27/64") | 11.0 (7/16") | 21 (53/64") | 200 (440 lbs) | 50 | 60 | 480 |
| MKPS-40N3 | | 40 (1-37/64") | 34 (1-11/32") | 37.0 (1-29/64") | 11.4 (29/64") | | 320 (704 lbs) | 70 | 40 | 320 |
| MKPS-50N3 | | 50 (1-31/32") | 44 (1-47/64") | 37.5 (1-15/32") | 11.5 (29/64") | | 360 (792 lbs) | 95 | 30 | 240 |
| MKPS-60M12 | M12 x 1.75 | 60 (2-23/64") | 54 (2-1/8") | 51.5 (2-1/32") | 11.5 (29/64") | 35 (1-3/8") | 400 (881 lbs) | 140 | 15 | 120 |

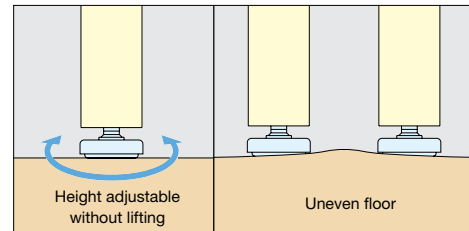
STAINLESS STEEL LEVELING GLIDE (W/RUBBER PAD)



MKRS



- Leveling glide with elastomer base prevents skidding.
- Double structure of cover/bolt and base allows easy height adjustment without lifting the leg.
- Swivels approximately 10° to compensate for uneven floors.
- 304 stainless steel construction is ideal for humid environments or applications where corrosion is an issue.



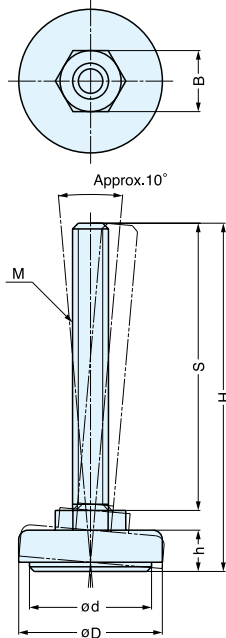
| Part Name | Material | Finish |
|-----------|---------------------|--------|
| Body | 304 Stainless Steel | Satin |
| Base | Elastomer | Black |

| Item No. | M | D | d | H | h | S | Load Capacity (kg) | Weight (g) | Box (pcs) | Carton (pcs) |
|------------|------------|---------------|---------------|-----------------|---------------|-------------|--------------------|------------|-----------|--------------|
| MKRS-32N3 | W3/8-16 | 32 (1-17/64") | 27 (1-1/16") | 36.0 (1-27/64") | 11.0 (27/16") | 21 (53/64") | 40 (88 lbs) | 50 | 60 | 480 |
| MKRS-40N3 | | 40 (1-37/64") | 34 (1-11/32") | 37.0 (1-29/64") | 11.4 (29/64") | | 80 (176 lbs) | 70 | 40 | 320 |
| MKRS-50N3 | | 50 (1-31/32") | 44 (1-47/64") | 37.5 (1-15/32") | 11.5 (29/64") | | 100 (220 lbs) | 90 | 30 | 240 |
| MKRS-32M10 | M10 | 32 (1-17/64") | 27 (1-1/16") | 36.0 (1-27/64") | 11.0 (7/16") | 21 (53/64") | 40 (88 lbs) | 50 | 60 | 480 |
| MKRS-40M10 | | 40 (1-37/64") | 34 (1-11/32") | 37.0 (1-29/64") | 11.4 (29/64") | | 80 (176 lbs) | 70 | 80 | 320 |
| MKRS-50M10 | | 50 (1-31/32") | 44 (1-47/64") | 37.5 (1-15/32") | 11.5 (29/64") | | 90 | 30 | 240 | |
| MKRS-60M12 | M12 x 1.75 | 60 (2-23/64") | 54 (2-1/8") | 51.5 (2-1/32") | 11.5 (29/64") | 35 (1-3/8") | 100 (220 lbs) | 150 | 15 | 120 |
| MKRS-70M14 | M14 x 2.00 | 70 (2-3/4") | 64 (2-33/64") | 51.5 (2-1/32") | 11.5 (29/64") | | 200 | | | |

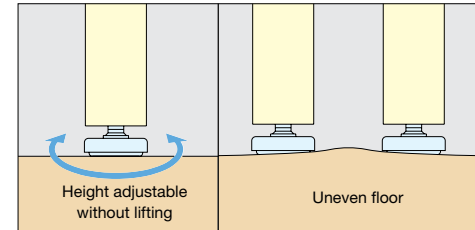
STAINLESS STEEL LONG-STEM LEVELING GLIDE



MKPLS



- Double structure of cover/bolt and base allows easy height adjustment without lifting the leg.
- Swivels approximately 10° to compensate for uneven floors.
- 304 stainless steel construction is ideal for humid environments or applications where corrosion is an issue.



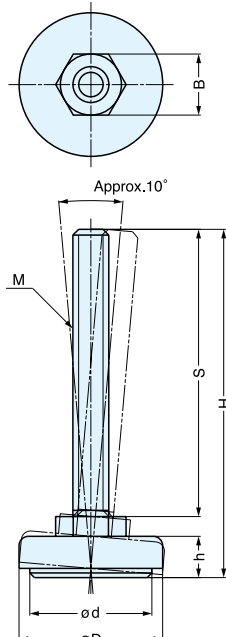
| Part Name | Material | Finish |
|-----------|---------------------|--------|
| Body | 304 Stainless Steel | Satin |
| Cover | | Plain |
| Base | | |

| Item No. | M | D | d | H | h | S | B | Load Capacity (kg) | Weight (g) | Box (pcs) | Carton (pcs) |
|----------------|----------|---------------|---------------|----------------|---------------|----------------|-------------|--------------------|------------|-----------|--------------|
| MKPLS-32/10/80 | M10×1.50 | 32 (1-17/64") | 27 (1-1/16") | 96 (3-25/32") | 10.5 (13/32") | 80 (3-5/32") | 17 (43/64") | 200 (440 lbs) | 79 | 30 | 240 |
| MKPLS-40/12/80 | M12×1.75 | 40 (1-37/64") | 34 (1-11/32") | 97 (3-13/16") | 11.5 (29/64") | | | 300 (660 lbs) | 125 | | |
| MKPLS-50/12/80 | | 50 (1-31/32") | 44 (1-47/64") | 100 (3-15/16") | | 340 (748 lbs) | 150 | 20 | 160 | | |
| MKPLS-50/16/78 | M16×2.00 | | | | | 78.5 (3-3/32") | 24 (15/16") | 320 (704 lbs) | 220 | 15 | 120 |

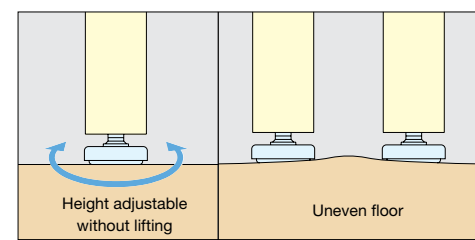
STAINLESS STEEL LONG-STEM LEVELING GLIDE



MKRLS



- Leveling glide with elastomer base prevents skidding.
- Double structure of cover/bolt and base allows easy height adjustment without lifting the leg.
- Swivels approximately 10° to compensate for uneven floors.



| Part Name | Material | Finish |
|-----------|---------------------|--------|
| Body | 304 Stainless Steel | Satin |
| Base | Elastomer | Black |

| Item No. | M | D | d | H | h | S | B | Load Capacity (kg) | Weight (g) | Box (pcs) | Carton (pcs) |
|----------------|----------|---------------|---------------|----------------|---------------|----------------|--------------|--------------------|------------|-----------|--------------|
| MKRLS-32/10/80 | M10×1.50 | 32 (1-17/64") | 27 (1-1/16") | 96 (3-25/32") | 10.5 (13/32") | 80 (3-5/32") | 17 (4-3/64") | 200 (440 lbs) | 79 | 30 | 240 |
| MKRLS-40/12/80 | M12×1.75 | 40 (1-37/64") | 34 (1-11/32") | 97 (3-13/16") | 11.5 (29/64") | | | 300 (660 lbs) | 125 | | |
| MKRLS-50/12/80 | | 50 (1-31/32") | 44 (1-47/64") | 100 (3-15/16") | | 340 (748 lbs) | 150 | 20 | 160 | | |
| MKRLS-50/16/78 | M16×2.00 | | | | | 78.5 (3-3/32") | 24 (15/16") | 320 (704 lbs) | 220 | 15 | 120 |

LEVELING GLIDE (W/RUBBER PAD)



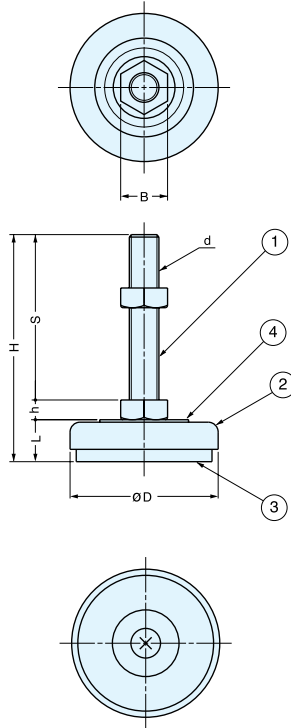
ADWS, ADWHS

LEVELING GLIDES

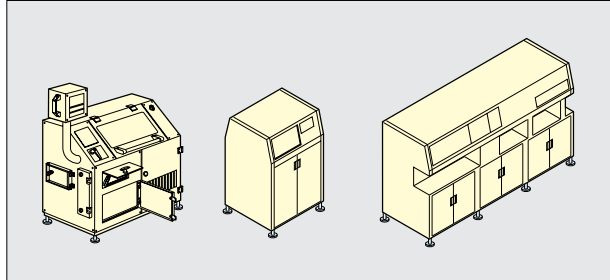


ADWS

ADWHS



- Cover and bolt are 304 stainless steel offering rust and corrosion resistance.
- Easy installation with phillips screw driver.
- ADWS - Chloroprene rubber base has excellent weather resistance.
- ADWHS - Ethylene propylene base is non-marring, non-abrasive and has excellent heat/weather resistance.



Installation

| No. | Part Name | Material | Finish |
|-----|-----------|--------------------------|----------|
| ① | Bolt | 304 Stainless Steel | Polished |
| ② | Cover | | |
| ③ | Base | ADWS:Chloroprene Rubber | Black |
| | | ADWHS:Ethylene Propylene | White |
| ④ | Washer | Polyamide | - |

| Chloroprene Rubber | | d | S | H | L | D | h | B | Weight (g) | Box (pcs) | Carton (pcs) |
|--------------------------|----------------------------|----------|----------------|------------------|-----------|------------|---------------|--------------|------------|-----------|--------------|
| Item No. | Load Capacity (kg) | | | | | | | | | | |
| ADWS40-8-60 | 388 (853 lbs) | M8x1.25 | 60 (2-23/64") | 78.5 (3-3/32") | 13 | 40 | 5.5 (7/32") | 13 (33/64") | 75 | 150 | 1500 |
| ADWS40-10-50 | 645 (1419 lbs) | M10x1.50 | 50 (1-31/32") | 70.0 (2-3/4") | (3-3/64") | (1-37/64") | 7.0 (9/32") | 17 (43/64") | 95 | 120 | 1200 |
| ADWS50-12-70 | 894 (1966 lbs) | M12x1.75 | 70 (2-3/4") | 93.0 (3-21/32") | 15 | 50 | 8.0 (5/16") | 19 (3/4") | 175 | 60 | 600 |
| ADWS50-12-100 | 893 (1962 lbs) | | 100 (3-15/16") | 123.0 (4-27/32") | | | | | 195 | | |
| ADWS50-12-120 | 876 (1927 lbs) | M16x2.00 | 120 (4-23/32") | 143.0 (5-5/8") | 17 | 60 | 10.0 (25/64") | 24 (15/16") | 205 | 40 | 400 |
| ADWS50-12-150 | 876 (1927 lbs) | | 70 (2-3/4") | 97.0 (3-13/16") | | | | | 291 | | |
| ADWS50-16-100 | 1100 (2425 lbs) | M20x2.50 | 100 (3-15/16") | 127.0 (5") | 17 | 60 | 13.0 (33/64") | 30 (1-3/16") | 330 | 35 | 350 |
| ADWS50-16-120 | 1100 (2425 lbs) | | 100 (3-15/16") | 130.0 (5-1/8") | | | | | 482 | | |
| ADWS50-16-150 | 1100 (2425 lbs) | M20x2.50 | 130 (5-1/8") | 160.0 (6-19/64") | 17 | 60 | 13.0 (33/64") | 30 (1-3/16") | 547 | 20 | 200 |
| ADWS50-16-200 | 1100 (2425 lbs) | | 150 (5-29/32") | 180.0 (7-3/32") | | | | | 590 | | |

| Ethylene Propylene | | d | S | H | L | D | h | B | Weight (g) | Box (pcs) | Carton (pcs) |
|---------------------------|----------------------------|----------|----------------|------------------|----------|------------|---------------|--------------|------------|-----------|--------------|
| Item No. | Load Capacity (kg) | | | | | | | | | | |
| ADWHS40-8-60 | 431 (948 lbs) | M8x1.25 | 60 (2-23/64") | 78.5 (3-3/32") | 13 | 40 | 5.5 (7/32") | 13 (33/64") | 75 | 150 | 1500 |
| ADWHS40-10-50 | 612 (1346 lbs) | M10x1.50 | 50 (1-31/32") | 70.0 (2-3/4") | (33/64") | (1-37/64") | 7.0 (9/32") | 17 (43/64") | 95 | 120 | 1200 |
| ADWHS50-12-70 | 853 (1876 lbs) | M12x1.75 | 70 (2-3/4") | 93.0 (3-21/32") | 15 | 50 | 8.0 (5/16") | 19 (3/4") | 175 | 60 | 600 |
| ADWHS50-12-100 | 804 (1768 lbs) | | 100 (3-15/16") | 123.0 (4-27/32") | | | | | 195 | | |
| ADWHS50-12-120 | 876 (1927 lbs) | M16x2.00 | 120 (4-23/32") | 143.0 (5-5/8") | 17 | 60 | 10.0 (25/64") | 24 (15/16") | 205 | 40 | 400 |
| ADWHS50-16-100 | 1100 (2425 lbs) | | 100 (3-15/16") | 127.0 (5") | | | | | 330 | | |
| ADWHS50-16-120 | 1100 (2425 lbs) | M20x2.50 | 130 (5-1/8") | 157.0 (6-3/16") | 17 | 60 | 13.0 (33/64") | 30 (1-3/16") | 374 | 30 | 300 |
| ADWHS50-16-150 | 1100 (2425 lbs) | | 100 (3-15/16") | 130.0 (5-1/8") | | | | | 482 | | |
| ADWHS50-16-200 | 1100 (2425 lbs) | M20x2.50 | 130 (5-1/8") | 160.0 (6-19/64") | 17 | 60 | 13.0 (33/64") | 30 (1-3/16") | 547 | 20 | 200 |
| ADWHS50-16-250 | 1100 (2425 lbs) | | 150 (5-29/32") | 180.0 (7-3/32") | | | | | 590 | | |

SUPER HEAVY DUTY LEVELING GLIDE



ADHS, ADHSK

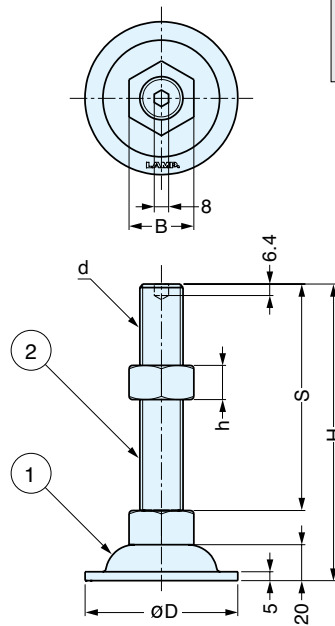
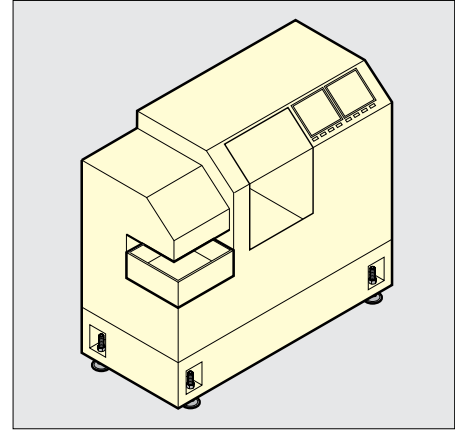
- Stainless steel or steel leveling glide for heavy machinery.
- ADHS-K series an anti galling coating that allows for a smooth adjustment either up or down.



ADHSK



ADHS
(304 Stainless Steel)



| No. | Part Name | Material | Finish |
|-----|-----------|-----------------|--------|
| ① | Base | Stainless Steel | Satin |
| ② | Bolt | | |

ADHS

| Item No. | Load Capacity (kgf) | D | d | H | S | h | B | Weight (g) |
|----------------|---------------------|------------------|-----|----------------|----------------|----------------|------------------|------------|
| ADHS-85-24-150 | 3000 (6600 lbs) | 83 (3-17/64") | M24 | 189 (7-7/16") | 150 (5-29/32") | 19 (3/4") | 36 (1-27/64") | 970 |
| ADHS-85-24-200 | 3500 (7700 lbs) | | | 239 (9-13/32") | 200 (7-7/8") | | | 1080 |
| ADHS-85-30-150 | 4000 (8800 lbs) | | M30 | 194 (7-41/64") | 150 (5-29/32") | 24 (15/16") | 46 (1-13/16") | 1500 |
| ADHS-85-30-200 | 4500 (9900 lbs) | | | 244 (9-39/64") | 200 (7-7/8") | | | 1680 |

| No. | Part Name | Material | Finish |
|-----|-----------|---------------------|--------|
| ① | Base | 304 Stainless Steel | Satin |
| ② | Bolt | | Black |

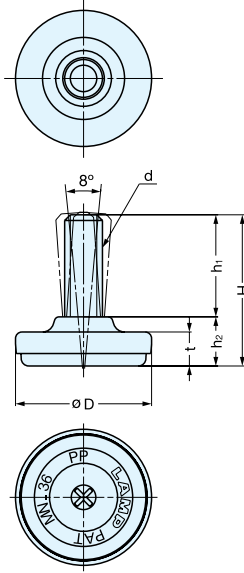
ADHSK

| Item No. | Load Capacity (kgf) | D | d | H | S | h | B | Weight (g) |
|-----------------|---------------------|------------------|-----|----------------|----------------|----------------|------------------|------------|
| ADHS-85-24-150K | 3000 (6600 lbs) | 83 (3-17/64") | M24 | 189 (7-7/16") | 150 (5-29/32") | 19 (3/4") | 36 (1-27/64") | 970 |
| ADHS-85-24-200K | 3500 (7700 lbs) | | | 239 (9-13/32") | 200 (7-7/8") | | | 1080 |
| ADHS-85-30-150K | 4000 (8800 lbs) | | M30 | 194 (7-41/64") | 150 (5-29/32") | 24 (15/16") | 46 (1-13/16") | 1500 |
| ADHS-85-30-200K | 4500 (9900 lbs) | | | 244 (9-39/64") | 200 (7-7/8") | | | 1680 |

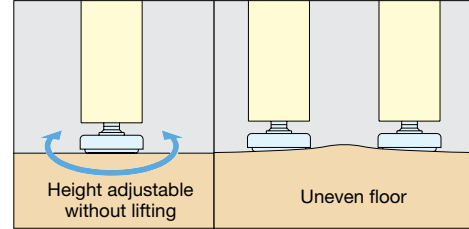
LEVELING GLIDE



MN



- Easy installation with phillips screw driver.
- Swivels approximately 8° to compensate for uneven floors.
- White polypropylene base to prevent floor damage.



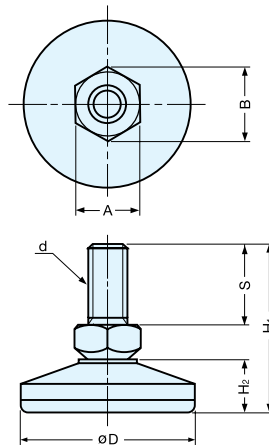
| Part Name | Material | Finish |
|-----------|---------------------|---------|
| Cover | 304 Stainless Steel | Satin |
| Bolt | Steel | Chrome |
| Base | Polypropylene | Natural |

| Item No. | D | H | h ₁ | h ₂ | t | d | Load Capacity (kg) | Weight (g) | Box (pcs) | Carton (pcs) |
|----------|-----------------|-----------------|-----------------|----------------|--------------|----------|--------------------|------------|-----------|--------------|
| MN-25 | 25 (63/64") | 40 (1-37/64") | 27 (1-1/16") | 13 (33/64") | 9 (23/64") | W5/16-18 | 120 (264 lbs) | 26 | 100 | 600 |
| MN-32 | 32 (1-17/64") | | | | | W3/8-16 | 160 (352 lbs) | 34 | 80 | 480 |
| MN-36 | 36 (1-27/64") | | | | | | | 39 | 60 | 360 |
| MN-40 | 40 (1-37/64") | | | | | 42 | 50 | 300 | | |
| MN-50 | 50 (1-31/32") | 50 (1-31/32") | 34 (1-11/32") | 16 (5/8") | 11 (7/16") | W1/2-12 | 160 (352 lbs) | 77 | 20 | 120 |

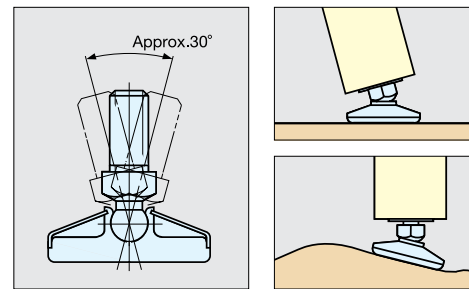
LEVELING GLIDE



RP



- Compensates for uneven floors.



| Part Name | Material | Finish |
|------------|---------------------|---------------------|
| Base Cover | 304 Stainless Steel | Satin |
| Bolt | Steel | Clear Zinc Chromate |
| Base | Polyamide | Natural |

| Item No. | A | D | B | H ₁ | S | H ₂ | d | Load Capacity (kg) | Weight (g) | Box (pcs) | Carton (pcs) |
|----------|---------------|-----------------|-----------------|-------------------|----------------|-----------------|----------|--------------------|------------|-----------|--------------|
| RP-25M6 | 8 (5/16") | 25 (63/64") | 9.2 (2-3/64") | 31.0 (1-7/32") | 14 (35/64") | 9.7 (3/8") | M6x1.0 | 60 (132 lbs) | 11 | 50 | 500 |
| RP-30M8 | 10 (25/64") | 30 (1-3/16") | 11.5 (29/64") | 37.5 (1-15/32") | 19 (3/4") | 11.2 (7/16") | M8x1.25 | 110 (242 lbs) | 21 | 35 | 350 |
| RP-30N25 | | | | | | | W5/16 | | | | |
| RP-40M10 | 13 (33/64") | 40 (1-37/64") | 15.0 (19/32") | 42.5 (1-43/64") | 20 (25/32") | 13.7 (35/64") | M10x1.5 | 160 (352 lbs) | 38 | 25 | 250 |
| RP-40N3 | | | | | | | W3/8 | | | | |
| RP-50M12 | 17 (43/64") | 50 (1-31/32") | 19.6 (49/64") | 51.0 (2") | 25 (63/64") | 16.0 (5/8") | M12x1.75 | 320 (704 lbs) | 70 | 15 | |
| RP-70M14 | 19 (3/4") | 70 (2-3/4") | 22.0 (55/64") | 66.5 (2-5/8") | 30 (1-3/16") | 24.7 (31/32") | M14x2.0 | 622 (1368 lbs) | 150 | 10 | 100 |

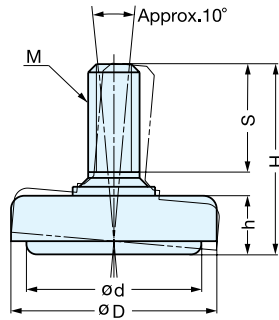
LEVELING GLIDE



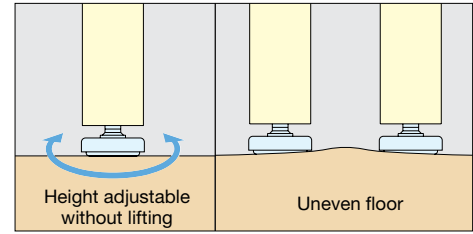
LOAD CAPACITY
120-160 kg
264-352 lbs

TEST 12
P472

MKP



- Double structure of cover/bolt and base allows easy height adjustment without lifting the leg.
- Swivels approximately 10° to compensate for uneven floors.



CASTERS & LEVELING GLIDES

LEVELING GLIDES

| Material | Finish |
|----------|--------|
| Steel | Chrome |

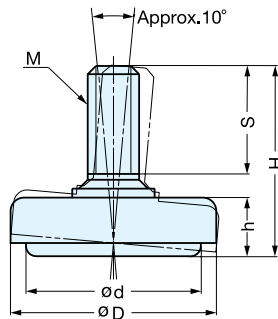
| Item No. | M | D | d | H | h | S | Load Capacity (kg) | Weight (g) | Box (pcs) | Carton (pcs) |
|----------|---------|---------------|---------------|-----------------|---------------|-------------|--------------------|------------|-----------|--------------|
| MKP-32 | W3/8-16 | 32 (1-17/64") | 27 (1-1/16") | 36.0 (1-27/64") | 11.0 (7/16") | 21 (53/64") | 160 (352 lbs) | 44 | 80 | 480 |
| MKP-40 | | 40 (1-37/64") | 34 (1-11/32") | 37.0 (1-29/64") | 11.4 (29/64") | | | 65 | 50 | 300 |
| MKP-50 | | 50 (1-31/32") | 44 (1-47/64") | 37.5 (1-15/32") | 11.5 (29/64") | | 90 | 20 | 120 | |

LEVELING GLIDE (W/RUBBER PAD)

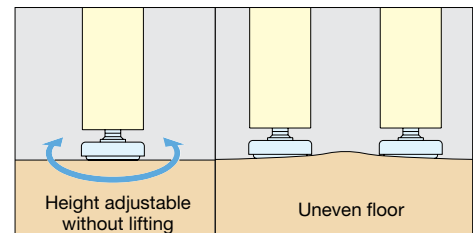


LOAD CAPACITY
40-60 kg
88-132 lbs

MKR



- Leveling glide with elastomer base prevents skidding.
- Double structure of cover/bolt and base allows easy height adjustment without lifting the leg.
- Swivels approximately 10° to compensate for uneven floors.



| Part Name | Material | Finish |
|-----------|-----------|--------|
| Body | Steel | Chrome |
| Base | Elastomer | Black |

| Item No. | M | D | d | H | h | S | Load Capacity (kg) | Weight (g) | Box (pcs) | Carton (pcs) |
|----------|---------|---------------|---------------|-----------------|---------------|-------------|--------------------|------------|-----------|--------------|
| MKR-32 | W3/8-16 | 32 (1-17/64") | 27 (1-1/16") | 36.0 (1-27/64") | 11.0 (7/16") | 21 (53/64") | 160 (352 lbs) | 44 | 80 | 480 |
| MKR-40 | | 40 (1-37/64") | 34 (1-11/32") | 37.0 (1-29/64") | 11.4 (29/64") | | | 65 | 50 | 300 |
| MKR-50 | | 50 (1-31/32") | 44 (1-47/64") | 37.5 (1-15/32") | 11.5 (29/64") | | 90 | 20 | 120 | |

LEVELING GLIDE (QUAKE ISOLATION)



LOAD CAPACITY
204~765 kg
448~1685 lbs

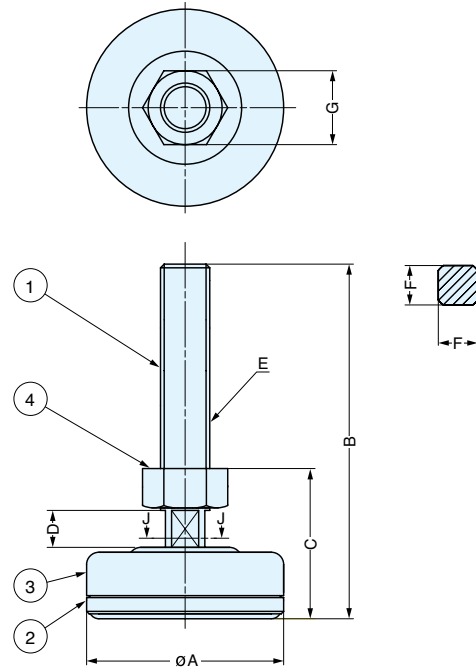
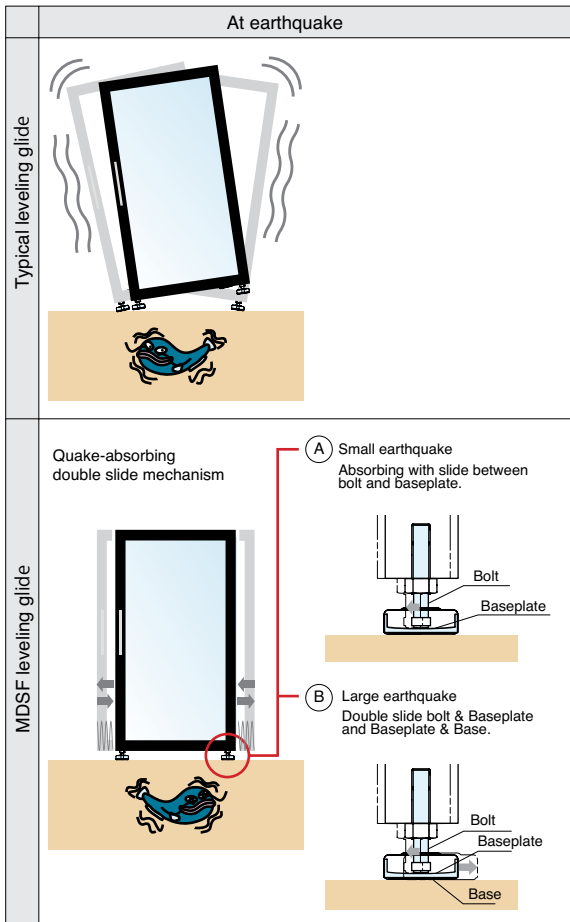
MDSF

- Designed for earthquake mitigation from damage of server enclosure, machinery or any similar equipment.



CASTERS & LEVELING GLIDES

LEVELING GLIDES



| No. | Part Name | Material | Finish |
|-----|-----------|----------------------|---------------------|
| ① | Bolt | Steel | Nickel |
| ② | Base | Steel + Teflon Resin | Nickel (Steel) |
| ③ | Cover | Nitrile Rubber | - |
| ④ | Hex Nut | Steel | Clear Zinc Chromate |

| Item No. | Max. Cabinet Size | Load Capacity (kgf/4pcs) |
|---------------|-----------------------|--------------------------|
| MDSF58-10-40 | W410 × D630 × H390 | 204 (449 lbs) |
| MDSF58-16-80 | W730 × D730 × H1460 | 510 (1120 lbs) |
| MDSF80-20-100 | W1000 × D1000 × H2000 | 765 (1680 lbs) |

| Item No. | A | B | C | D | E | F | G | Weight (g) |
|---------------|--------------|------------------|-----------------|---------------|-----|-------------|---------------|------------|
| MDSF58-10-40 | 58 (2-9/32") | 65.5 (2-37/64") | 34.5 (1-23/64") | 7.5 (19/64") | M10 | 8 (5/16") | 17 (43/64") | 180 |
| MDSF58-16-80 | | 114.0 (4-31/64") | 48.0 (1-57/64") | 10.5 (13/32") | M16 | 13 (33/64") | 24 (15/16") | 300 |
| MDSF80-20-100 | 80 (3-5/32") | 144.0 (5-43/64") | 61.0 (2-13/32") | 15.0 (19/32") | M20 | 16 (5/8") | 30 (1-3/16") | 580 |

SELF ADJUSTING LEVELING GLIDE

LOAD CAPACITY
50 kg
110 lbs

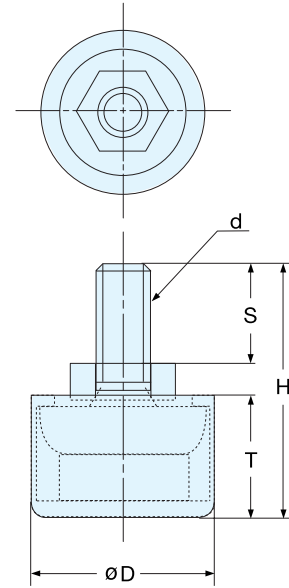
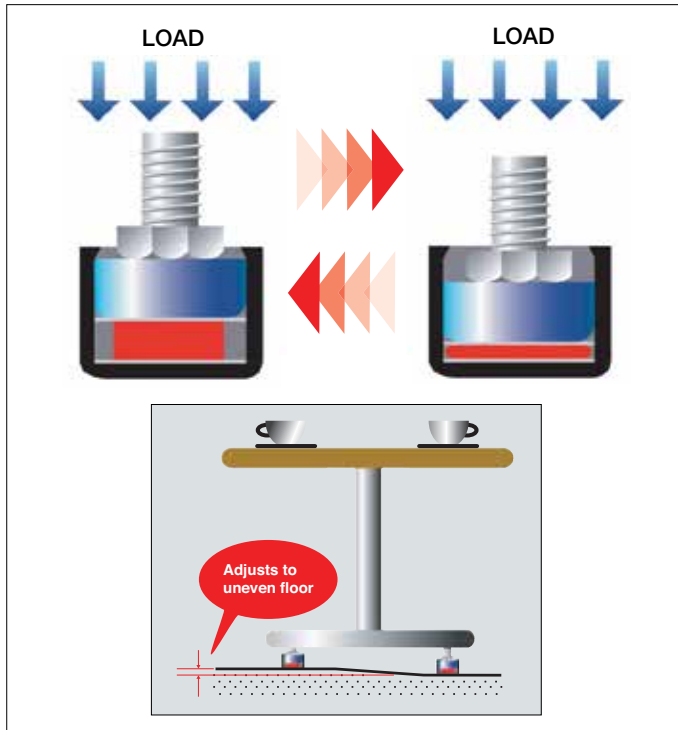
SAJ30



SAJ30-12N

SAJ30-10N

- Self height adjustment feature up to 3 mm (1/8") & 6 mm (15/64").
- Gel inside of the glide allows for gentle adjustment to uneven surfaces.
- Automatically adjusts each time the table is moved.
- Ideal for tables which are frequently moved. (e.g. Restaurants, Cafeteria, shop etc.)



SAJ-WRENCH

| Part Name | Material | Finish | Box (pcs) | Carton (pcs) |
|----------------------------|----------|----------|-----------|--------------|
| SAJ-WRENCH14 (For N2.5) | Steel | Chromate | 1 | 40 |
| SAJ-WRENCH17 (For N3) | | | | |

| Part Name | Material | Finish/Color |
|-----------|--------------|----------------------|
| Body | Polyethylene | Black |
| Nut (10) | Steel | Yellow Zinc Chromate |
| Nut (12) | | Chomate |
| Screw | | |

| Item No. | Height Adjustment (mm) | D | H | T | S | d | Applicable Table Weight | | | Load Capacity (kg) | Weight (g) | Box (pcs) | Carton (pcs) | | | | | | | | | |
|----------------|------------------------|---------------|---------------|-------------|---------------|---------------|-------------------------|------------------|------------------|--------------------|------------|-----------|--------------|--------------|-------|-------------------|-------------------|-------------------|--------------|----|-----|----|
| | | | | | | | 6 pcs use (kg) | 5 pcs use (kg) | 4 pcs use (kg) | | | | | | | | | | | | | |
| SAJ30-10N2.5 | 3 (1/8") | 32 (1-17/64") | 33 (1-19/64") | 19 (3/4") | 9 (23/64") | W5/16 | 10~18 (22~39 lbs) | 8~15 (17~33 lbs) | 7~12 (15~26 lbs) | 50 (110 lbs) | 40 | 400 | | | | | | | | | | |
| SAJ30-10N3 | | | 37 (1-29/64") | | 12 (15/32") | W3/8 | | | | | | | 26 | | | | | | | | | |
| SAJ30-10M6 | | | 34 (1-11/32") | | 10 (25/64") | M6 | | | | | | | 36 | | | | | | | | | |
| SAJ30-10M8 | | | 33 (1-19/64") | | 9 (23/64") | M8 | | | | | | | 21 | | | | | | | | | |
| SAJ30-10M10 | | | 37 (1-29/64") | | 11 (7/16") | M10 | | | | | | | 25 | | | | | | | | | |
| SAJ30-12N2.5 | | | 6 (15/64") | | 32 (1-17/64") | 33 (1-19/64") | | | | | | | 24 (15/16") | 9 (23/64") | W5/16 | 18~36 (39~79 lbs) | 15~30 (33~66 lbs) | 12~24 (26~24 lbs) | 50 (110 lbs) | 40 | 400 | |
| SAJ30-12N3 | | | | | | 37 (1-29/64") | | | | | | | | 12 (15/32") | W3/8 | | | | | | | 26 |
| SAJ30-12M6 | | | | | | 34 (1-11/32") | | | | | | | | 10 (25/64") | M6 | | | | | | | 36 |
| SAJ30-12M8 | | | | | | 33 (1-19/64") | | | | | | | | 9 (23/64") | M8 | | | | | | | 21 |
| SAJ30-12M10 | | | | | | 37 (1-29/64") | | | | | | | | 11 (7/16") | M10 | | | | | | | 25 |
| SAJ30-12-6N2.5 | 42 (1-21/32") | 11 (7/16") | | W5/16 | | 38 | | | | | | | | | | | | | | | | |
| SAJ30-12-6N3 | 42 (1-21/32") | 12 (15/32") | | W3/8 | | 29 | | | | | | | | | | | | | | | | |
| SAJ30-12-6M6 | 44 (1-47/64") | 12 (15/32") | | M6 | | 39 | | | | | | | | | | | | | | | | |
| SAJ30-12-6M8 | 42 (1-21/32") | 10 (25/64") | | M8 | | 29 | | | | | | | | | | | | | | | | |
| SAJ30-12-6M10 | 41 (1-39/64") | 10 (25/64") | | M10 | | 22 | | | | | | | | | | | | | | | | |

LEVELING GLIDE



LOAD CAPACITY
60-200 kg
132-440 lbs

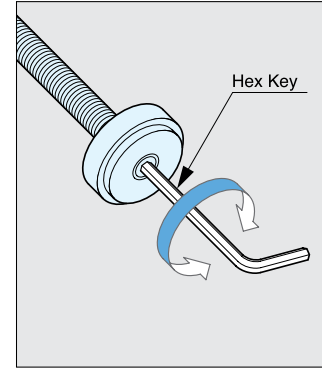
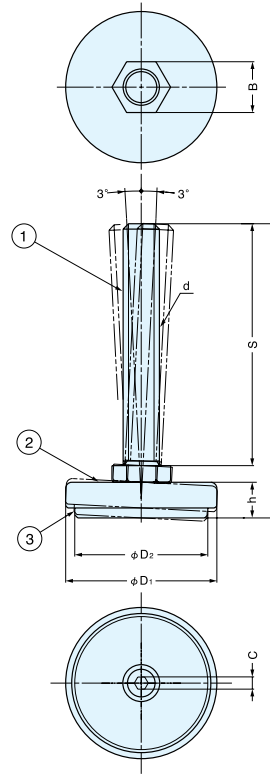
TEST 12
P.472

MKRL

CASTERS & LEVELING GLIDES



- Double structure of cover/bolt and base allow easy height adjustment without lifting the leg.
- Easy installation with hex socket on the bottom for allen key.



Height can be adjusted by 4mm hex key (not included)

| No. | Part Name | Material | Finish |
|-----|-----------|-----------|---------------------|
| ① | Bolt | Steel | Black Zinc Chromate |
| ② | Cover | | |
| ③ | Base | Elastomer | Black |

| Item No. | D ₁ | D ₂ | H | h | S | B |
|------------------|------------------|----------------|------------------|---------------|------------------|--------------|
| MKRL-32-10-80B6 | 32 (1-17/64") | 27 (1-1/16") | 95.8 (3-49/64") | 10.8 (27/64") | 80.0 (3-5/32") | 17 (43/64") |
| MKRL-32-12-66B6 | | | 81.8 (3-7/32") | | 66.0 (2-19/32") | |
| MKRL-32-12-80B6 | | | 95.8 (3-49/64") | | 80.0 (3-5/32") | |
| MKRL-40-10-80B6 | 40 (1-37/64") | 34 (1-11/32") | 96.2 (3-25/32") | 11.2 (7/16") | 32.0 (1-17/64") | |
| MKRL-40-12-32B6 | | | 48.2 (1-57/64") | | 43.0 (1-11/16") | |
| MKRL-40-12-43B6 | | | 59.0 (2-21/64") | | 55.0 (2-11/64") | |
| MKRL-40-12-55B6 | | | 71.2 (2-51/64") | | 80.0 (3-5/32") | |
| MKRL-40-12-80B6 | | | 96.2 (3-25/32") | | 120.0 (4-23/32") | |
| MKRL-40-12-120B6 | | | 136.2 (5-23/64") | | 80.0 (3-5/32") | |
| MKRL-50-12-80B6 | | | 50 (1-31/32") | | 44 (1-47/64") | |
| MKRL-50-12-120B6 | 136.8 (5-25/64") | 78.5 (3-3/32") | | | | |
| MKRL-50-16-78B6 | 100.3 (3-61/64") | 24 (15/16") | | | | |
| MKRL-70-20-101B6 | 70 (2-3/4") | 64 (2-33/64") | 124.5 (4-29/32") | 11.5 (29/64") | 101.0 (3-31/32") | 30 (1-3/16") |

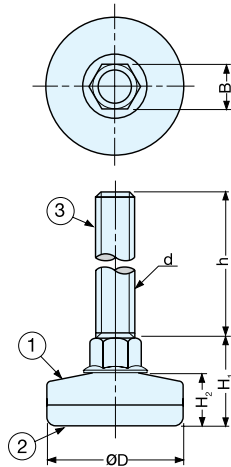
| Item No. | C | d | Load Capacity (kg) | Weight (g) | Box (pcs) | Carton (pcs) | |
|------------------|-----------|------------|--------------------|------------|-----------|--------------|-----|
| MKRL-32-10-80B6 | 4 (5/32") | M10 × 1.50 | 60 (132 lbs) | 77 | 30 | 300 | |
| MKRL-32-12-66B6 | | M12 × 1.75 | 75 (165 lbs) | 84 | | | |
| MKRL-32-12-80B6 | | M10 × 1.50 | 94 | | | | |
| MKRL-40-10-80B6 | | M12 × 1.75 | 60 (132 lbs) | 95 | 25 | 25 | 250 |
| MKRL-40-12-32B6 | | | | 78 | 30 | | |
| MKRL-40-12-43B6 | | | | 86 | | | |
| MKRL-40-12-55B6 | | | | 94 | | | |
| MKRL-40-12-80B6 | | | | 112 | | | |
| MKRL-40-12-120B6 | | | | 142 | | | |
| MKRL-50-12-80B6 | | | | 138 | 15 | | |
| MKRL-50-12-120B6 | | 168 | 10 | 100 | | | |
| MKRL-50-16-78B6 | | M16 × 2.00 | 80 (176 lbs) | 214 | 15 | 120 | |
| MKRL-70-20-101B6 | | M20 × 2.50 | | 448 | 8 | 64 | |

LEVELING GLIDE



LOAD CAPACITY
140 kg
308 lbs

TN



| No. | Part Name | Material | Finish |
|-----|-----------|--------------|----------------------|
| ① | Body | Steel | Chrome |
| ② | Base | Polyethylene | Natural |
| ③ | Bolt | Steel | Yellow Zinc Chromate |

| Item No. | D | H ₁ | H ₂ | h | d |
|----------|-----------------|----------------|----------------|---------------|-----------|
| TN-25S | 25.0 (63/64") | 21.0 (53/64") | 12.0 (15/32") | 60 (2-23/64") | M10 × 1.5 |
| TN-35S | 35.0 (1-3/8") | 22.5 (57/64") | 13.5 (17/32") | | |
| TN-45S | 43.5 (1-23/32") | | | | |

| Item No. | B | Load Capacity (kg) | Weight (g) | Box (pcs) | Carton (pcs) |
|----------|-------------|--------------------|------------|-----------|--------------|
| TN-25S | 13 (33/64") | 140 (308 lbs) | 50 | 50 | 500 |
| TN-35S | | | 60 | 30 | 300 |
| TN-45S | | | 70 | 20 | 260 |

LEVELING GLIDE



LOAD CAPACITY
100-180 kg
220-396 lbs

TEST 12
P.472

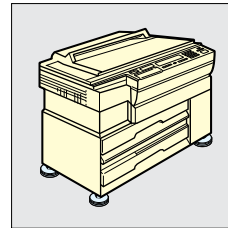
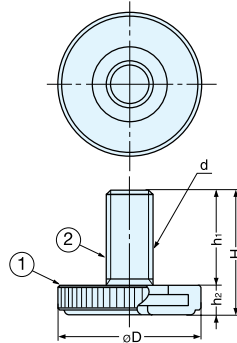
TG



TG-40



TG-30WT



- Low profile leveling glide.
- Knurled rim for easy adjustment.
- Easy installation with Phillips screwdriver.

| No. | Part Name | Material | Finish |
|-----|-----------|--------------|-----------------------|
| ① | Base | Polyamide | Dark Grey/White/Black |
| ② | Bolt | Polyethylene | Yellow Zinc Chromate |

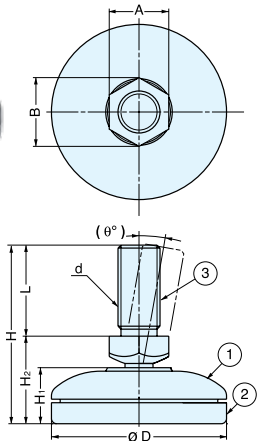
| Item No. | | | D | H | h ₁ | h ₂ | d | Load Capacity (kg) | Weight (g) | Box (pcs) | Carton (pcs) |
|-----------|---------|------------|----------------|----------------|----------------|----------------|----------|--------------------|------------|-----------|--------------|
| Dark Grey | White | Black | 20 (25/32") | 21 (53/64") | 15 (19/32") | 6 (15/64") | M8×1.25 | 100 (220 lbs) | 11 | 120 | 720 |
| TG-20 | TG-20WT | TG-20GP-BL | 30 (1-3/16") | 26 (1-1/32") | 20 (25/32") | | M10×1.50 | 150 (330 lbs) | 25 | 100 | 600 |
| TG-30 | TG-30WT | TG-30GP-BL | 40 (1-37/64") | | | | M10×1.50 | 180 (396 lbs) | 36 | 60 | 360 |

LEVELING GLIDE (PARTS SEPARABLE)

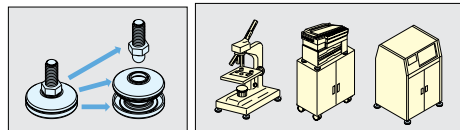


LOAD CAPACITY
50-270 kg
110-594 lbs

EA



- Bolt swivels to compensate for uneven floors.
- Parts can be easily separated for recycling purpose.



| No. | Part Name | Material | Finish |
|-----|-----------|----------|-----------|
| ① | Body | ABS | Dark Grey |
| ② | Base | | |
| ③ | Bolt | Steel | Chromate |

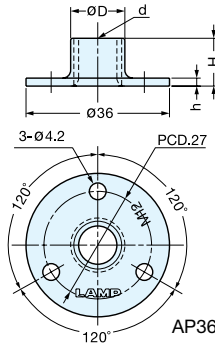
| Item No. | A | B | D | H | H ₁ | H ₂ |
|----------|-------------|---------------|----------------|------------------|----------------|----------------|
| EA-25M6 | 8 (5/16") | 9.2 (23/64") | 25 (6-3/64") | 31.0 (1-7/32") | 8.5 (21/64") | 14.0 (35/64") |
| EA-30M8 | 10 (25/64") | 11.5 (29/64") | 30 (1-3/16") | 37.5 (1-15/32") | 10.5 (13/32") | 17.0 (43/64") |
| EA-40M10 | 13 (33/64") | 15.0 (19/32") | 40 (1-37/64") | 42.5 (1-43/64") | 13.0 (33/64") | 20.5 (13/16") |
| EA-50M12 | 17 (43/64") | 19.6 (49/64") | 50 (1-31/32") | 51.0 (2-1/64") | 16.0 (5/8") | 25.0 (63/64") |

| Item No. | L | θ° | d | Load Capacity (kg) | Weight (g) | Box (pcs) | Carton (pcs) |
|----------|-----------------|---------------|------------|--------------------|------------|-----------|--------------|
| EA-25M6 | 17.0 (43/64") | 10.0 (25/64") | M6 × 1.00 | 50 (110 lbs) | 10 | 120 | 1200 |
| EA-30M8 | 20.5 (13/16") | 15.0 (19/32") | M8 × 1.25 | 100 (220 lbs) | 20 | 80 | 800 |
| EA-40M10 | 22.0 (55/64") | 12.5 (31/64") | M10 × 1.50 | 130 (286 lbs) | 32 | 40 | 400 |
| EA-50M12 | 26.0 (1-1/32") | 10.0 (25/64") | M12 × 1.75 | 270 (594 lbs) | 60 | 20 | 200 |

STAINLESS STEEL GLIDE BASE



AP-36



• 304 stainless steel construction is ideal for humid environments or applications where corrosion is an issue.

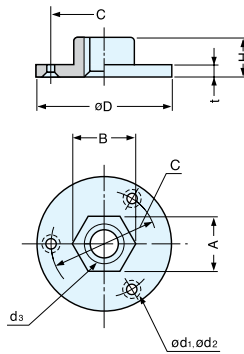
| Material | Finish |
|---------------------|--------|
| 304 Stainless Steel | Plain |

| Item No. | d | D | h | H | Weight (g) | Box (pcs) | Carton (pcs) |
|-----------|------------|----------------|-------------|---------------|------------|-----------|--------------|
| AP-36-M8 | M8 × 1.25 | 9.6 (3/8") | 1.5 (1/16") | 12.0 (15/32") | 16 | 100 | 1000 |
| AP-36-M10 | M10 × 1.50 | 11.0 (7/16") | | | | | |
| AP-36-N3 | W3/8-16 | 10.9 (27/64") | | | | | |
| AP-36-M12 | M12 × 1.75 | 13.9 (35/64") | 2.0 (5/64") | 11.5 (29/64") | 20 | 80 | 800 |

GLIDE BASE



KD-555

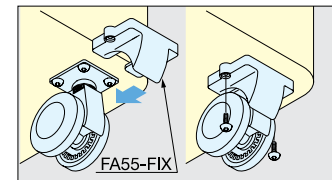
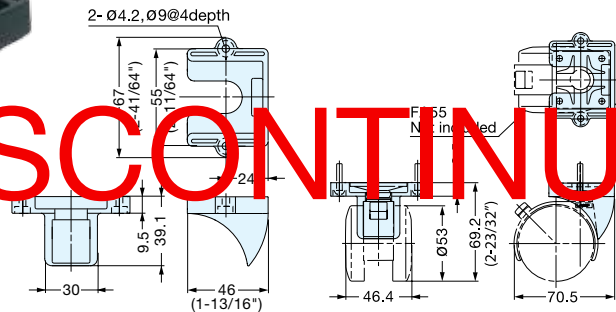


| Material | Finish |
|------------|----------------------|
| Zinc Alloy | Yellow Zinc Chromate |

| Item No. | D | C | H | t | d ₁ | d ₂ | d ₃ | A | B | Weight (g) | Box (pcs) | Carton (pcs) | |
|---------------|-----------------|----|------|-----|----------------|----------------|----------------|----------|------|------------|-----------|--------------|------|
| KD-555-28-M10 | 28 (1-3/32") | 20 | 9.0 | 2.7 | 3.2 | 5.3 | M10 × 1.5 | 13.0 | 14.0 | 15 | 240 | 1440 | |
| KD-555-25 | 25 (63/64") | 19 | 7.6 | | | | | W5/16-18 | 11.2 | 12.5 | 10 | 320 | 1920 |
| KD-555-28 | 28 (1-3/32") | 20 | 9.0 | | | | | W3/8-16 | 13.0 | 14.0 | 15 | 240 | 1440 |
| KD-555-39 | 39 (1-17/32") | 30 | 11.0 | 3.0 | | | W1/2-12 | 15.8 | 16.8 | 30 | 100 | 600 | |

CASTER BRACKET

FA55-FIX



Application: Prevents caster from swinging.
Use with FA-55/FAU-55/FD-55/FDU-55

| Item No. | Weight (g) | Box (pcs) | Carton (pcs) | Material | Finish |
|----------|------------|-----------|--------------|------------|--------|
| FA55-FIX | 23 | 50 | 500 | Polyacetal | Black |

****DISCONTINUED**

TWIN WHEEL CASTER (PLATE TYPE)



FA-55-PS, P

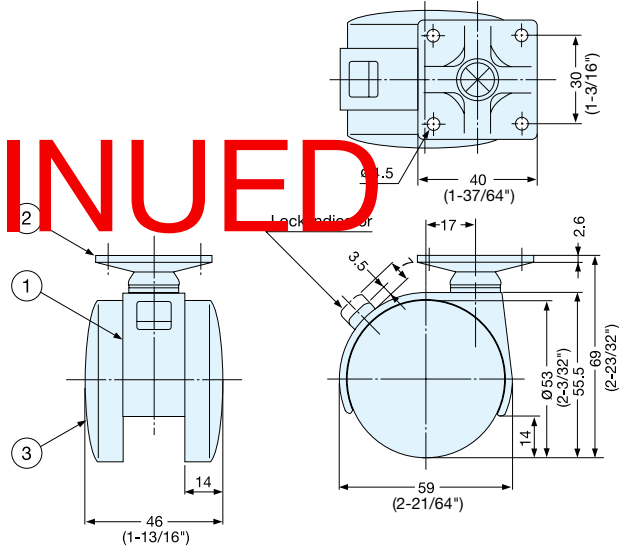
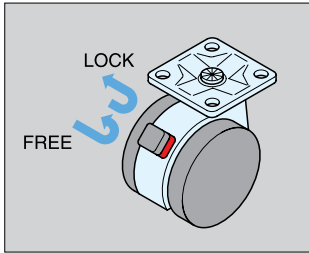
- Light & durable aluminum body construction.



FA-55-P
(w/o Brake)

FA-55-PS
(w/ Brake)

****DISCONTINUED**



| Item No. | Load Capacity (kg) | Weight (g) | Box (pcs) | Carton (pcs) |
|-------------------|--------------------|------------|-----------|--------------|
| FA-55-PS w/Brake | 80 (176 lbs) | 176 | 4 | 72 |
| FA-55-P w/o Brake | | 171 | | |

| No. | Part Name | Material | Finish |
|-----|----------------|----------------|----------------------|
| ① | Body | Aluminum Alloy | Silver |
| ② | Mounting Plate | Steel | Yellow Zinc Chromate |
| ③ | Wheel | Polyamide | Black |

TWIN WHEEL CASTER (PLATE TYPE)



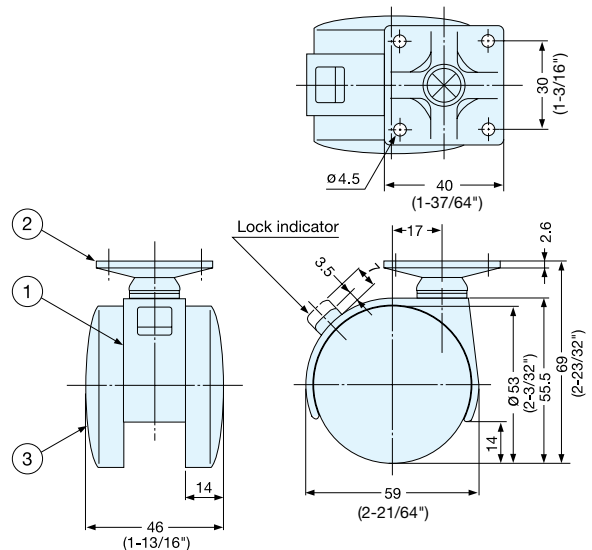
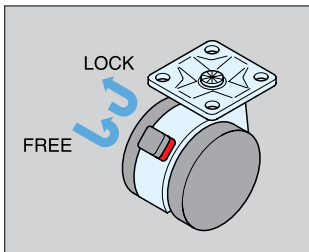
FP-55-PS, P

- Caster with high quality polyamide body.
- Excellent durability: chemical/weather/wear resistant.



FP-55-P
(w/o Brake)

FP-55-PS
(w/ Brake)



| Item No. | Load Capacity (kg) | Weight (g) | Box (pcs) | Carton (pcs) |
|-------------------|--------------------|------------|-----------|--------------|
| FP-55-PS w/Brake | 50 (110 lbs) | 148 | 4 | 72 |
| FP-55-P w/o Brake | | 144 | | |

| No. | Part Name | Material | Finish |
|-----|----------------|-----------|----------------------|
| ① | Body | Polyamide | Black |
| ② | Mounting Plate | Steel | Yellow Zinc Chromate |
| ③ | Wheel | Polyamide | Black |

TWIN WHEEL CASTER (THREADED BOLT TYPE)



LOAD CAPACITY
80 kg
176 lbs

FA-55-NS, N

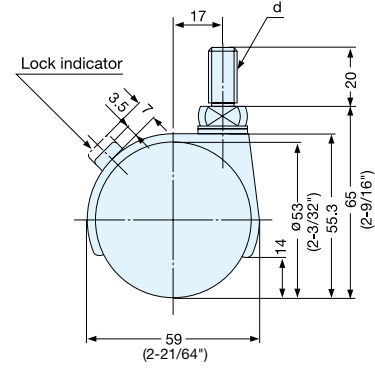
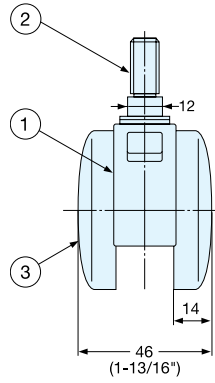
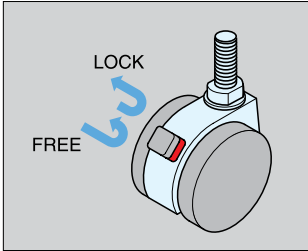
- Light & durable aluminum body construction.



FA-55-N
(w/o Brake)



FA-55-NS
(w/ Brake)



| Item No. | d | Load Capacity (kg) | Weight (g) | Box (pcs) | Carton (pcs) |
|-------------------|------------|--------------------|------------|-----------|--------------|
| FA-55-NS w/Brake | W3/8-16UNC | 80 (176 lbs) | 152 | 4 | 72 |
| FA-55-N w/o Brake | | | 147 | | |

| No. | Part Name | Material | Finish |
|-----|---------------|----------------|----------------------|
| ① | Body | Aluminum Alloy | Silver |
| ② | Threaded Bolt | Steel | Yellow Zinc Chromate |
| ③ | Wheel | Polyamide | Black |

TWIN WHEEL CASTER (THREADED BOLT TYPE)



LOAD CAPACITY
50 kg
110 lbs

FP-55-NS, N

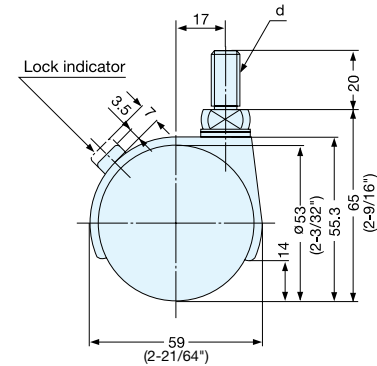
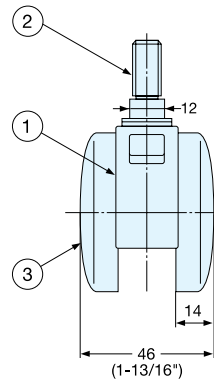
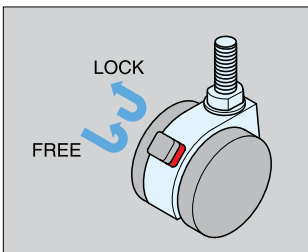
- Caster with high quality polyamide body.
- Excellent durability: chemical/weather/wear resistant.



FP-55-N
(w/o Brake)



FP-55-NS
(w/ Brake)



| Item No. | d | Load Capacity (kg) | Weight (g) | Box (pcs) | Carton (pcs) |
|-------------------|------------|--------------------|------------|-----------|--------------|
| FP-55-NS w/Brake | W3/8-16UNC | 50 (110 lbs) | 126 | 4 | 72 |
| FP-55-N w/o Brake | | | 121 | | |

| No. | Part Name | Material | Finish |
|-----|---------------|-----------|----------------------|
| ① | Body | Polyamide | Black |
| ② | Threaded Bolt | Steel | Yellow Zinc Chromate |
| ③ | Wheel | Polyamide | Black |

TWIN WHEEL CASTER (THREADED BOLT TYPE)



LOAD CAPACITY
70 kg
154 lbs

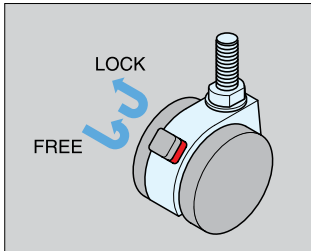
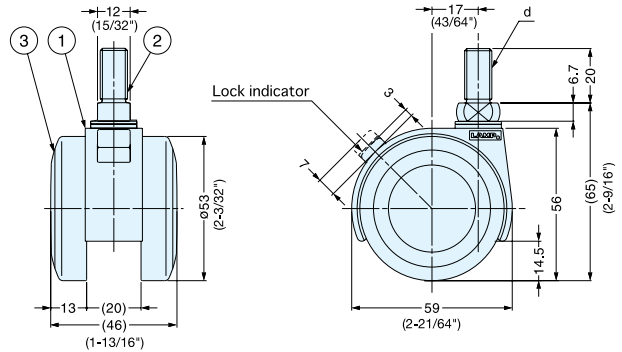
FAU-55-NS, N



FAU-55-N
(w/o Brake)

FAU-55-NS
(w/ Brake)

- Wheels absorb vibrations with elastomer covering (rubber) for smooth and quiet movement.
- Light & durable aluminum body construction.



| No. | Part Name | Material | Finish |
|-----|---------------|---------------------|----------------------|
| ① | Body | Aluminum Alloy | Silver |
| ② | Threaded Bolt | Steel | Yellow Zinc Chromate |
| ③ | Wheel | Polyamide/Elastomer | Black |

| Item No. | d | Load Capacity (kg) | Weight (g) | Box (pcs) | Carton (pcs) |
|--------------------|------------|--------------------|------------|-----------|--------------|
| FAU-55-NS w/Brake | W3/8-16UNC | 70 (154 lbs) | 155 | 4 | 72 |
| FAU-55-N w/o Brake | | | 151 | | |

TWIN WHEEL CASTER (THREADED BOLT TYPE)



LOAD CAPACITY
50 kg
110 lbs

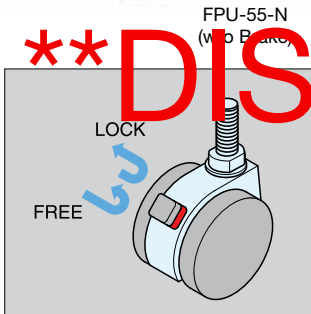
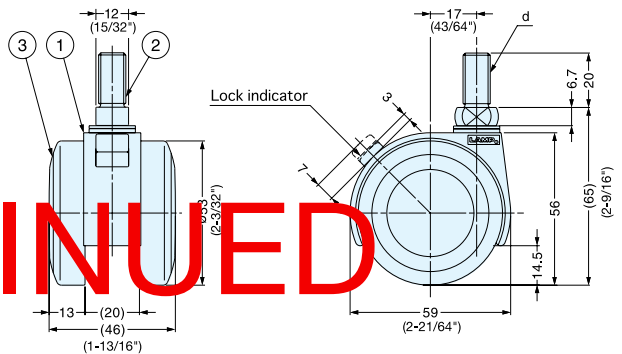
FPU-55-NS, N



FPU-55-N
(w/o Brake)

FPU-55-NS
(w/ Brake)

- Wheels absorb vibrations with elastomer covering (rubber) for smooth and quiet movement.
- Caster with high quality polyamide body.
- Excellent durability: chemical/weather/wear resistant.



****DISCONTINUED****

| No. | Part Name | Material | Finish |
|-----|---------------|---------------------|----------------------|
| ① | Body | Polyamide | Black |
| ② | Threaded Bolt | Steel | Yellow Zinc Chromate |
| ③ | Wheel | Polyamide/Elastomer | Black |

| Item No. | d | Load Capacity (kg) | Weight (g) | Box (pcs) | Carton (pcs) |
|--------------------|------------|--------------------|------------|-----------|--------------|
| FPU-55-NS w/Brake | W3/8-16UNC | 50 (110 lbs) | 128 | 4 | 72 |
| FPU-55-N w/o Brake | | | 123 | | |

TWIN WHEEL CASTER (PLATE TYPE)



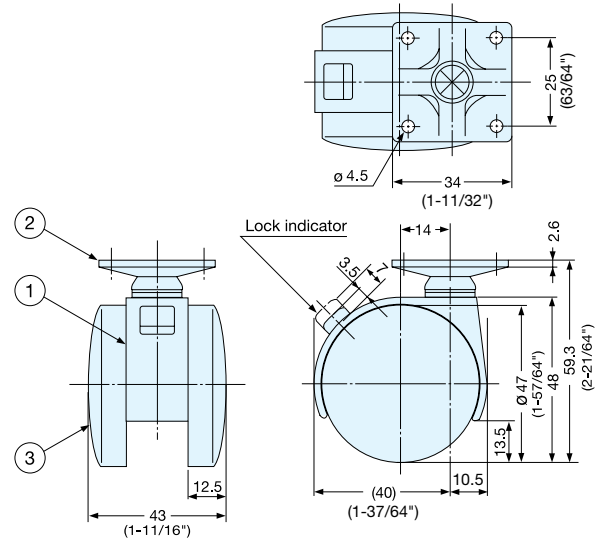
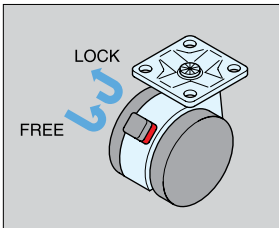
FA-45-PS, P

- Light & durable aluminum body construction.



FA-45-P
(w/o Brake)

FA-45-PS
(w/ Brake)



| Item No. | Load Capacity (kg) | Weight (g) | Box (pcs) | Carton (pcs) |
|-------------------|--------------------|------------|-----------|--------------|
| FA-45-PS w/ Brake | 50 (110 lbs) | 117 | 4 | 100 |
| FA-45-P w/o Brake | | 113 | | |

| No. | Part Name | Material | Finish |
|-----|----------------|----------------|----------------------|
| ① | Body | Aluminum Alloy | Silver |
| ② | Mounting Plate | Steel | Yellow Zinc Chromate |
| ③ | Wheel | Polyamide | Black |

TWIN WHEEL CASTER (PLATE TYPE)



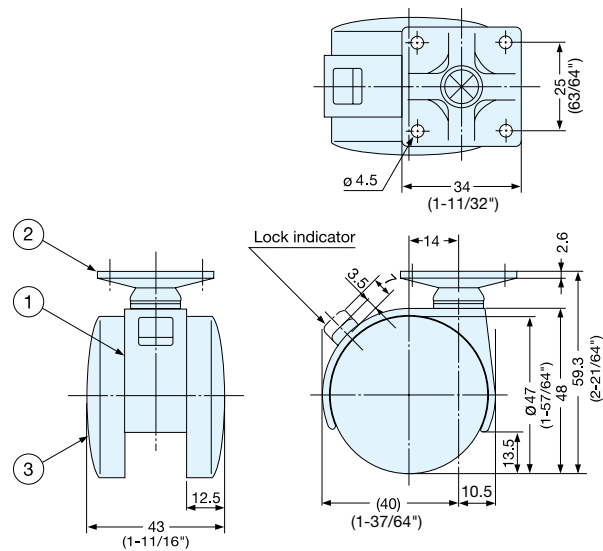
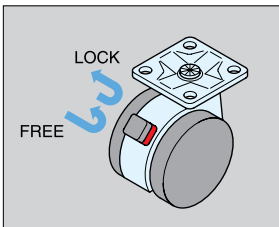
FP-45-PS, P

- Caster with high quality polyamide body. Excellent durability: chemical/weather/wear resistant.



FP-45-P
(w/o Brake)

FP-45-PS
(w/ Brake)



| Item No. | Load Capacity (kg) | Weight (g) | Box (pcs) | Carton (pcs) |
|-------------------|--------------------|------------|-----------|--------------|
| FP-45-PS w/ Brake | 40 (88 lbs) | 98 | 4 | 100 |
| FP-45-P w/o Brake | | 94 | | |

| No. | Part Name | Material | Finish |
|-----|----------------|-----------|----------------------|
| ① | Body | Polyamide | Black |
| ② | Mounting Plate | Steel | Yellow Zinc Chromate |
| ③ | Wheel | Polyamide | Black |

TWIN WHEEL CASTER (THREADED BOLT TYPE)

LOAD CAPACITY
50 kg
110 lbs

FA-45-NS, N

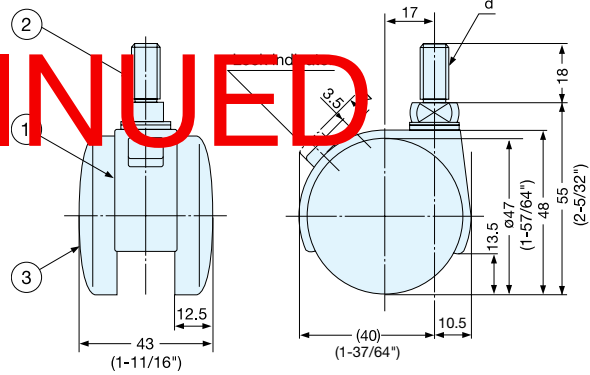
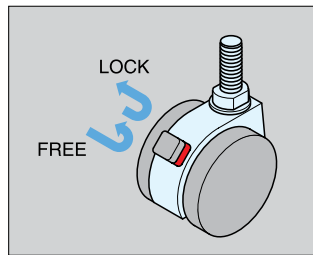
- Light & durable aluminum body construction.



FA-45-N
(w/o Brake)

FA-45-NS
(w/ Brake)

****DISCONTINUED**



| Item No. | | d | Load Capacity (kg) | Weight (g) | Box (pcs) | Carton (pcs) |
|----------|-----------|------------|--------------------|------------|-----------|--------------|
| FA-45-NS | w/Brake | W3/8-16UNC | 50 (110 lbs) | 100 | 4 | 100 |
| FA-45-N | w/o Brake | W3/8-16UNC | | 97 | | |

| No. | Part Name | Material | Finish |
|-----|---------------|----------------|----------------------|
| ① | Body | Aluminum Alloy | Silver |
| ② | Threaded Bolt | Steel | Yellow Zinc Chromate |
| ③ | Wheel | Polyamide | Black |

TWIN WHEEL CASTER (THREADED BOLT TYPE)

LOAD CAPACITY
40 kg
88 lbs

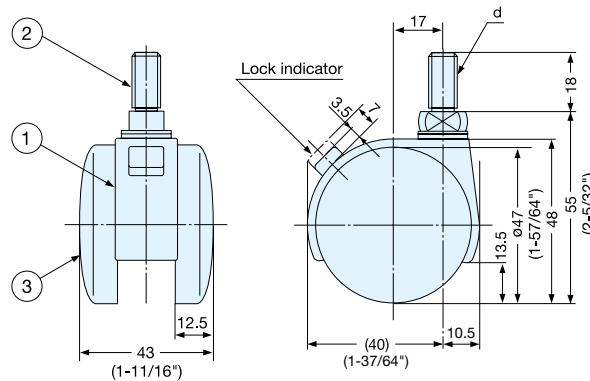
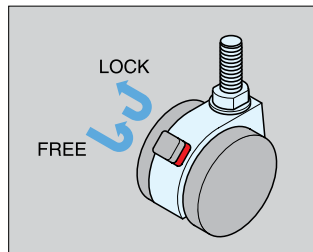
FP-45-NS, N

- Caster with high quality polyamide body.
- Excellent durability: chemical/weather/wear resistant.



FP-45-N
(w/o Brake)

FP-45-NS
(w/ Brake)



| Item No. | | d | Load Capacity (kg) | Weight (g) | Box (pcs) | Carton (pcs) |
|----------|-----------|------------|--------------------|------------|-----------|--------------|
| FP-45-NS | w/ Brake | W3/8-16UNC | 40 (88 lbs) | 84 | 4 | 100 |
| FP-45-N | w/o Brake | | | 79 | | |

| No. | Part Name | Material | Finish |
|-----|---------------|-----------|----------------------|
| ① | Body | Polyamide | Black |
| ② | Threaded Bolt | Steel | Yellow Zinc Chromate |
| ③ | Wheel | Polyamide | Black |

POWERMAX®

A high quality polyurethane elastomer to support heavy-loads

Mechanical Properties

- High Tensile Strength
- High Dynamic Load Capacity
- High Abrasion Resistance
- High Cut and Tear Resistance
- High Chemical Resistance
- Good Rebound Resilience
- Low Noise operation and Floor preservation
- Temperature
-30° ~ 80°C (continuous operation)
120°C (non-continuous operation)

| | | | |
|------------------|------------|-------------------------------------|-------------------|
| Hardness | 95A | Elongation at Break | 560% |
| 100% Modules | 12.5 (MPa) | Rebound Resilience | 65% |
| 300% Modulus | 19.1 (MPa) | Abrasion Loss | 8 mm ³ |
| Tensile Strength | 50.0 (MPa) | Compression Set 25%, 22hrs, 70°C | 24% |

Powermax® mechanical properties are designed to make applications in a wide range of heavy duty industrial equipment possible



When a wheel is in operation, the tread is continuously depressed and released generating heat. The dynamic properties of Powermax[®] dissipates this heat to prevent any damage to the wheel.

Powermax[®] is a high quality polyurethane elastomer



Assembly Plants



Forklifts



Amusement Park Rides



AGV Wheels



Logistic Equipment



Conveyor Systems

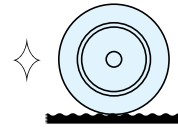
HIGH DURABILITY URETHANE WHEEL (SPECIAL ORDER)

CASTERS & LEVELING GLIDES

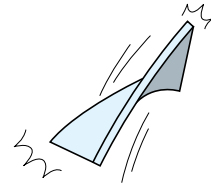
TWIN WHEEL CASTERS



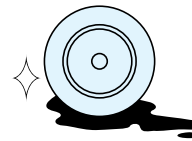
- Material Character**
- Hardness: Shore A95
 - 100% modulus: 12.5 Mpa
 - Tear Strength: 151 KN/M
 - Tensile Strength: 50 Mpa
 - Elongation at break: 560%
 - Rebound resilience: 96%
 - Compression set: 24%



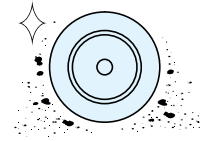
High abrasion resistance



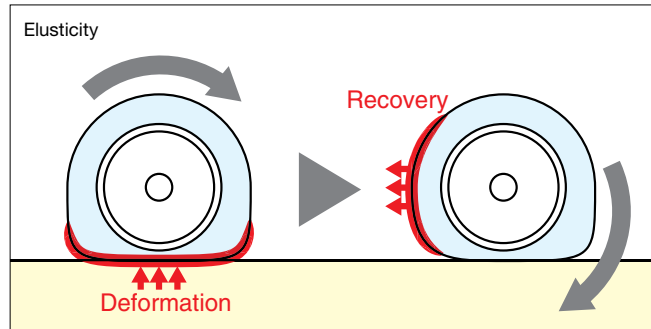
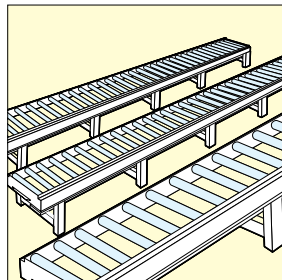
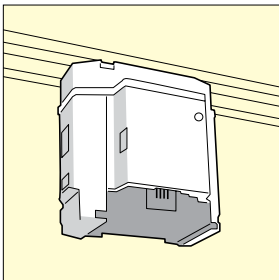
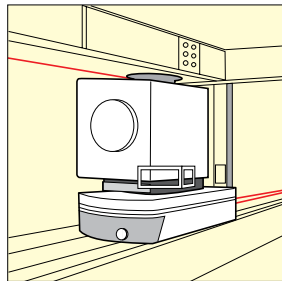
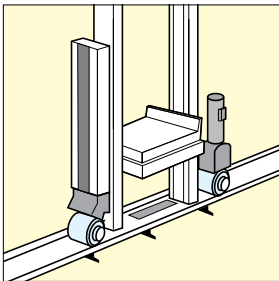
High strength



Resistance to oil



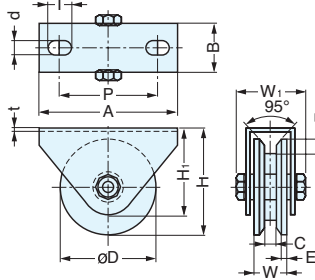
Antistatic



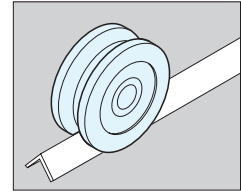
STAINLESS STEEL BEARING ROLLER (HEAVY DUTY/V-SHAPE)



JS300



- V-shaped roller.
- Sealed bearing ideal for outdoor environment.
- Bracket has holes for fasteners or it also can be welded



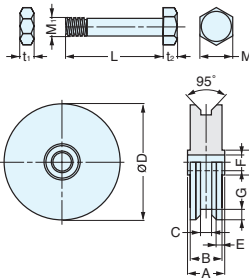
| Item No. | Load Capacity (kg/2pcs) | D | W | W ₁ | A | B | C | E |
|------------|-------------------------|----------------|---------------|----------------|------------------|-----------------|---------------|-------------|
| JS300-50V | 400 (880 lbs) | 50 (1-31/32") | 20 (25/32") | 47 (1-27/32") | 100 (3-15/16") | 30 (1-3/16") | 7.5 (19/64") | 3.5 (9/64") |
| JS300-60V | 500 (1100 lbs) | 60 (2-23/64") | | | 120 (4-23/32") | | | |
| JS300-75V | 650 (1430 lbs) | 75 (2-61/64") | | | | | | |
| JS300-90V | 1200 (2640 lbs) | 90 (3-35/64") | | | | | | |
| JS300-110V | 1400 (3080 lbs) | 110 (4-21/64") | 24 (15/16") | 53 (2-3/32") | 145 (5-45/64") | 34 (1-11/32") | 10.5 (13/32") | 4.6 (3/16") |
| JS300-150V | 2200 (4840 lbs) | 150 (5-29/32") | 43 (1-11/16") | 88 (3-15/32") | 250 (9-27/32") | 57 (2-1/4") | 13.0 (33/64") | 8.0 (5/16") |
| JS300-200V | 2800 (6160 lbs) | 200 (7-7/8") | 50 (1-31/32") | 96 (3-25/32") | 290 (11-27/64") | 70 (2-3/4") | 15.0 (19/32") | 7.0 (9/32") |

| Item No. | F | H | H ₁ | d | I | P | t | Weight (kg) | |
|------------|---------------|--------------------|--------------------|---------------|---------------|-----------------|-------------|--------------|------|
| JS300-50V | 7 (9/32") | 62.0 (2-7/16") | 57.0 (2-1/4") | 11 (7/16") | 15 (19/32") | 75 (2-61/64") | 3 (1/8") | 0.5 | |
| JS300-60V | | 67.0 (2-41/64") | | | | 85 (3-11/32") | | 0.6 | |
| JS300-75V | | 87.5 (3-7/16") | 95 (3-47/64") | | | 1.2 | | | |
| JS300-90V | | 95.0 (3-47/64") | 114 (4-31/64") | | | 2.0 | | | |
| JS300-110V | 8 (5/16") | 120.0 (4-23/32") | 93.5 (3-11/16") | 20 (25/32") | 35 (1-3/8") | 185 (7-9/32") | 4 (5/32") | 6.8 | |
| JS300-150V | 18 (45/64") | 165.0 (6-1/2") | 137.0 (5-25/64") | | | 216 (8-1/2") | | 6 (15/64") | 13.0 |
| JS300-200V | 20 (25/32") | 215.0 (8-15/32") | 160.0 (6-19/64") | | | | | | |

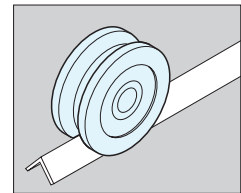
STAINLESS STEEL ROLLER (HEAVY DUTY/V-SHAPE)



JS310



- V-shaped roller wheel for JS300.
- Sealed bearing ideal for outdoor environment.



*Measurement includes spring washer thickness

| Item No. | D | A | B | C | E | F |
|------------|----------------|----------------|---------------|---------------|-------------|-------------|
| JS310-50V | 50 (1-31/32") | 24 (15/16") | 20 (25/32") | 7.5 (19/64") | 3.5 (9/64") | 10 (25/64") |
| JS310-60V | 60 (2-23/64") | | | | | |
| JS310-75V | 75 (2-61/64") | | | | | |
| JS310-90V | 90 (3-35/64") | | | | | |
| JS310-110V | 110 (4-21/64") | 28 (1-7/64") | 24 (15/16") | 10.5 (13/32") | 4.6 (3/16") | 12 (15/32") |
| JS310-150V | 150 (5-29/32") | *43 (1-11/16") | 43 (1-11/16") | 13.0 (33/64") | 8.0 (5/16") | 20 (25/32") |
| JS310-200V | 200 (7-7/8") | *50 (1-31/32") | 50 (1-31/32") | 15.0 (19/32") | 7.0 (9/32") | 25 (63/64") |

| Item No. | F ₁ | G | L | M | M ₁ | t ₁ | t ₂ | Weight (kg) |
|------------|----------------|---------------|-----------------|----------------|----------------|----------------|----------------|-------------|
| JS310-50V | 18 (45/64") | 7 (9/32") | 40 (37/64") | 17 (43/64") | M10 (25/64") | 6 (15/64") | 7 (9/32") | 0.2 |
| JS310-60V | | | | | | | | 0.3 |
| JS310-75V | | | | | | | | 0.6 |
| JS310-90V | | | | | | | | 0.8 |
| JS310-110V | 20 (25/32") | 8 (5/16") | 45 (1-49/64") | 19 (3/4") | M12 (15/32") | 7 (9/32") | 8 (5/16") | 1.5 |
| JS310-150V | 40 (37/64") | 18 (45/64") | 75 (2-61/64") | 30 (1-3/16") | M20 (25/32") | 12 (15/32") | 13 (33/64") | 4.9 |
| JS310-200V | | 20 (25/32") | 86 (3-25/64") | | M24 (15/16") | 14 (35/64") | 10 (25/64") | 9.0 |

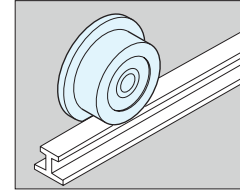
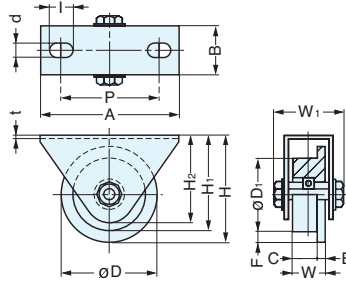
STAINLESS STEEL BEARING ROLLER (HEAVY DUTY/L-SHAPE)



JS315



- L-shaped roller.
- Sealed bearing ideal for outdoor environment.
- Bracket has holes for fasteners or it also can be welded.



| Item No. | Load Capacity (kg/2pcs) | D | D ₁ | W | W ₁ | A | B | C | E |
|------------|-------------------------|----------------|----------------|---------------|----------------|------------------|---------------|------------------|---------------|
| JS315-100L | 1500 (3300 lbs) | 120 (4-23/32") | 100 (3-15/16") | 36 (1-27/64") | 70 (2-3/4") | 145 (5-45/64") | 46 (1-13/16") | 27.0 (1-1/16") | 9.0 (23/64") |
| JS315-150L | 2200 (4840 lbs) | 150 (5-29/32") | 130 (5-1/8") | 43 (1-11/16") | 88 (3-15/32") | 250 (9-27/32") | 57 (2-1/4") | 33.0 (1-19/64") | 10.0 (25/64") |
| JS315-200L | 2800 (6160 lbs) | 200 (7-7/8") | 170 (6-11/16") | 50 (1-31/32") | 96 (3-25/32") | 290 (11-27/64") | 70 (2-3/4") | 36.5 (1-1/16") | 13.5 (17/32") |

| Item No. | F | H | H ₁ | H ₂ | d | I | P | t | Weight (kg) |
|------------|-------------|----------------|-----------------|----------------|--------------|-------------|-----------------|-------------|-------------|
| JS315-100L | 10 (25/64") | 124 (4-7/8") | 114 (4-31/64") | 87 (3-27/64") | 11 (7/16") | 15 (19/32") | 115 (4-17/32") | 3 (1/8") | 3.0 |
| JS315-150L | | 165 (6-1/2") | 155 (6-7/64") | 137 (5-25/64") | | | 185 (7-9/32") | 4 (5/32") | 6.8 |
| JS315-200L | 15 (19/32") | 215 (8-15/32") | 200 (7-7/8") | 160 (6-19/64") | 20 (25/32") | 35 (1-3/8") | 216 (8-1/2") | 6 (15/64") | 13.4 |

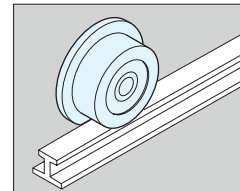
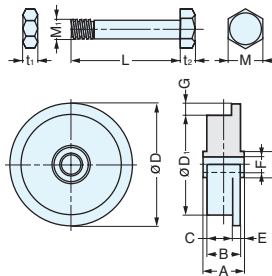
STAINLESS STEEL ROLLER (HEAVY DUTY/L-SHAPE)



JS325



- L-shaped roller wheel for JS315.
- Sealed bearing ideal for outdoor environment.



*Measurement includes spring washer thickness

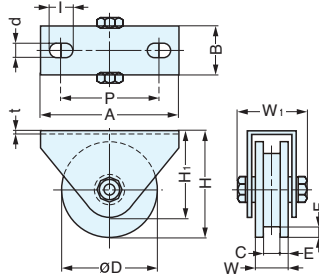
| Item No. | D | D ₁ | A | B | C | E |
|------------|----------------|----------------|----------------|---------------|------------------|---------------|
| JS325-100L | 120 (4-23/32") | 100 (3-15/16") | 40 (37/64") | 36 (1-27/64") | 27.0 (1-1/16") | 9.0 (23/64") |
| JS325-150L | 150 (5-29/32") | 130 (5-1/8") | *43 (1-11/16") | 43 (1-11/16") | 33.0 (1-19/64") | 10.0 (25/64") |
| JS325-200L | 200 (7-7/8") | 170 (6-11/16") | *50 (1-31/32") | 50 (1-31/32") | 36.5 (1-7/16") | 13.5 (17/32") |

| Item No. | F | F ₁ | G | L | M | M ₁ | t ₁ | t ₂ | Weight (kg) |
|------------|-------------|----------------|-------------|---------------|--------------|----------------|----------------|----------------|-------------|
| JS325-100L | 16 (5/8") | 25 (63/64") | 10 (25/64") | 60 (2-23/64") | 27 (1-1/16") | M16 (5/8") | 10.5 (13/32") | 10 (25/64") | 0.7 |
| JS325-150L | 20 (25/32") | 40 (37/64") | | 75 (2-61/64") | 30 (1-3/16") | M20 (25/32") | 12.0 (15/32") | 13 (33/64") | 4.9 |
| JS325-200L | 25 (63/64") | | 15 (19/32") | 86 (3-25/64") | | M24 (15/16") | 14.0 (35/64") | 10 (25/64") | 9.4 |

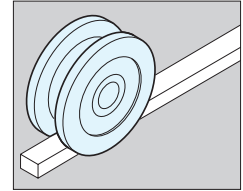
STAINLESS STEEL BEARING ROLLER (HEAVY DUTY/U-SHAPE)



JS365



- U-shaped roller.
- Sealed bearing ideal for outdoor environment.
- Bracket has holes for fasteners or it also can be welded.



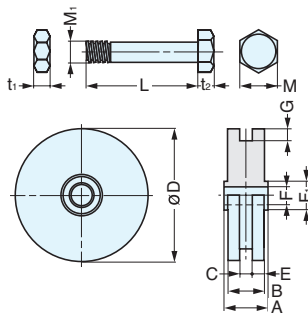
| Item No. | Load Capacity (kg/2pcs) | D | W | W ₁ | A | B | C | E |
|------------|-------------------------|-----------------|----------------|----------------|------------------|----------------|-----------------|----------------|
| JS365-50H | 400 (880 lbs) | 50 (1-31/32") | 20 (25/32") | 47 (1-27/32") | 100 (3-15/16") | 30 (1-3/16") | 7.5 (16/64") | 6.3 (1/4") |
| JS365-60H | 500 (1100 lbs) | 60 (2-23/64") | | | 120 (4-23/32") | | | |
| JS365-75H | 650 (1430 lbs) | 75 (2-61/64") | 24 (15/16") | 53 (2-3/32") | 145 (5-45/64") | 34 (1-11/32") | 10.5 (13/32") | 4.8 (3/16") |
| JS365-90H | 1200 (2640 lbs) | 90 (3-35/64") | | | | | | |
| JS365-110H | 1400 (3080 lbs) | 110 (4-21/64") | 43 (1-11/16") | 88 (3-15/32") | 250 (9-27/32") | 57 (2-1/4") | 14.0 (35/64") | 5.0 (13/64") |
| JS365-150H | 2200 (4840 lbs) | 150 (5-29/32") | | | | | | |
| JS365-200H | 2800 (6160 lbs) | 200 (7-7/8") | 50 (1-31/32") | 96 (3-25/32") | 290 (11-27/64") | 70 (2-3/4") | 27.0 (1-1/16") | 11.5 (29/64") |

| Item No. | F | H | H ₁ | d | l | P | t | Weight (kg) |
|------------|--------------|-------------------|-------------------|--------------|--------------|----------------|-------------|-------------|
| JS365-50H | 7 (9/32") | 62.0 (2-7/16") | 57.0 (2-1/4") | 11 (7/16") | 15 (19/32") | 75 (2161/64") | 3 (1/8") | 0.5 |
| JS365-60H | | 67.0 (2-41/64") | | | | 85 (3-11/32") | | 0.6 |
| JS365-75H | | 87.5 (3-7/16") | 95 (3-47/64") | | | 0.9 | | |
| JS365-90H | | 95.0 (3-47/64") | 114 (4-31/64") | | | 1.2 | | |
| JS365-110H | 8 (5/16") | 120.0 (4-23/32") | 93.5 (3-11/16") | 20 (25/32") | 35 (1-3/8") | 185 (7-9/32") | 4 (5/32") | 2.0 |
| JS365-150H | 15 (19/32") | 165.0 (6-1/2") | 137.0 (5-25/64") | | | | | 6.5 |
| JS365-200H | 14 (35/64") | 215.0 (8-15/32") | 160.0 (6-19/64") | | | 216 (8-1/2") | 6 (15/64") | 14.0 |

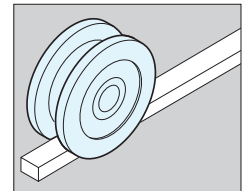
STAINLESS STEEL ROLLER (HEAVY DUTY/U-SHAPE)



JS380



- U-shaped roller wheel for JS365.
- Sealed bearing ideal for outdoor environment.



*Measurement includes spring washer thickness

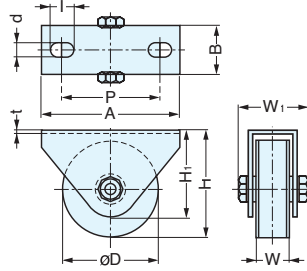
| Item No. | D | A | B | C | E | F | F ₁ |
|------------|-----------------|----------------|-----------------|-----------------|----------------|--------------|----------------|
| JS380-50H | 50 (1-31/32") | 24 (15/16") | 20 (25/32") | 7.5 (16/64") | 6.3 (1/4") | 10 (25/64") | 18 (45/64") |
| JS380-60H | 60 (2-23/64") | | | 10.5 (13/32") | | | |
| JS380-75H | 75 (2-61/64") | | | 4.8 (3/16") | | | |
| JS380-90H | 90 (3-35/64") | | | 12 (15/32") | | | |
| JS380-110H | 110 (4-21/64") | 28 (17/64") | 24 (15/16") | 14.0 (35/64") | 5.0 (13/64") | 12 (15/32") | 20 (25/32") |
| JS380-150H | 150 (5-29/32") | 43 (1-11/16") | *43 (1-11/16") | 27.0 (1-1/16") | 8.0 (5/16") | 20 (25/32") | 40 (1-37/64") |
| JS30-200H | 200 (7-7/8") | 50 (1-31/32") | *50 (1-31/32") | | 11.5 (29/64") | 25 (63/64") | |

| Item No. | G | L | M | M ₁ | t ₁ | t ₂ | Weight (kg) |
|------------|--------------|----------------|---------------|----------------|----------------|----------------|-------------|
| JS380-50H | 7 (9/32") | 40 (1-37/64") | 17 (43/64") | M10 (25/64") | 6 (15/64") | 7 (9/32") | 0.2 |
| JS380-60H | | | | | | | 0.3 |
| JS380-75H | | | | | | | 0.6 |
| JS380-90H | | | | | | | 0.8 |
| JS380-110H | 8 (5/16") | 45 (1-49/64") | 19 (3/4") | M12 (15/32") | 7 (9/32") | 8 (5/16") | 1.5 |
| JS380-150H | 15 (19/32") | 75 (2-61/64") | 30 (1-3/16") | M20 (25/32") | 12 (15/32") | 13 (33/64") | 4.6 |
| JS30-200H | 14 (35/64") | 86 (3-25/64") | | M24 (15/64") | 14 (35/64") | 10 (25/64") | 10.0 |

STAINLESS STEEL BEARING ROLLER (HEAVY DUTY/FLAT-SHAPE)



JS375



- Flat-shaped roller.
- Sealed bearing ideal for outdoor environment.
- Bracket has holes for fasteners or it also can be welded.

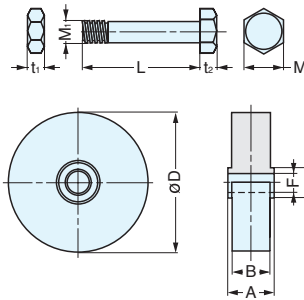
| Item No. | Load Capacity (kg/2pcs) | D | W | W ₁ | A | B |
|------------|-------------------------|----------------|---------------|----------------|------------------|----------------|
| JS375-50F | 400 (880 lbs) | 50 (1-31/32") | 20 (25/32") | 47 (1-27/32") | 100 (3-15/16") | 30 (1-3/16") |
| JS375-60F | 500 (1100 lbs) | 60 (2-23/64") | | | | |
| JS375-75F | 650 (1430 lbs) | 75 (2-61/64") | | | 120 (4-23/32") | |
| JS375-90F | 1200 (2640 lbs) | 90 (3-35/64") | | | | |
| JS375-110F | 1400 (3080 lbs) | 110 (4-21/64") | 24 (15/16") | 53 (2-3/32") | 145 (5-45/64") | 34 (1-11/32") |
| JS375-150F | 2200 (4840 lbs) | 150 (5-29/32") | 43 (1-11/16") | 88 (3-15/32") | 250 (9-27/32") | 57 (2-1/4") |
| JS375-200F | 2800 (6160 lbs) | 200 (7-7/8") | 50 (1-31/32") | 96 (3-25/32") | 290 (11-27/64") | 70 (2-3/4") |

| Item No. | F | H | H ₁ | d | l | P | t | Weight (kg) | |
|------------|---------------|------------------|------------------|---------------|---------------|-----------------|-------------|--------------|------|
| JS375-50F | 7 (9/32") | 62.0 (2-7/16") | 57.0 (2-1/4") | 11 (7/16") | 15 (19/32") | 75 (2161/64") | 3 (1/8") | 0.5 | |
| JS375-60F | | 67.0 (2-41/64") | | | | | | | |
| JS375-75F | | 87.5 (3-7/16") | 76.5 (3-1/64") | | | 85 (3-11/32") | | 0.9 | |
| JS375-90F | | 95.0 (3-47/64") | 114 (4-31/64") | | | 95 (3-47/64") | | 1.2 | |
| JS375-110F | 8 (5/16") | 120.0 (4-23/32") | 93.5 (3-11/16") | 20 (25/32") | 35 (1-3/8") | 185 (7-9/32") | 4 (5/32") | 2.0 | |
| JS375-150F | 15 (19/32") | 165.0 (6-1/2") | 137.0 (5-25/64") | | | 216 (8-1/2") | | 6 (15/64") | 6.5 |
| JS375-200F | 14 (35/64") | 215.0 (8-15/32") | 160.0 (6-19/64") | | | | | | 14.0 |

STAINLESS STEEL ROLLER (HEAVY DUTY/FLAT-SHAPE)



JS385



- Flat-shaped roller without bracket.
- Sealed bearing ideal for outdoor environment.

*Measurement includes spring washer thickness

| Item No. | D | A | B | F | F ₁ |
|------------|-----------------|---------------|---------------|-------------|----------------|
| JS385-50F | 50 (1-31/32") | 24 (15/16") | 20 (25/32") | 10 (25/64") | 18 (45/64") |
| JS385-60F | 60 (2-23/64") | | | | |
| JS385-75F | 75 (2-61/64") | | | | |
| JS385-90F | 90 (3-35/64") | | | | |
| JS385-110F | 110 (4-21/64") | 28 (17/64") | 24 (15/16") | 12 (15/32") | 20 (25/32") |
| JS385-150F | *150 (5-29/32") | 43 (1-11/16") | 43 (1-11/16") | 20 (25/32") | 40 (1-37/64") |
| JS385-200F | *200 (7-7/8") | 50 (1-31/32") | 50 (1-31/32") | 25 (63/64") | |

| Item No. | L | M | M ₁ | t ₁ | t ₂ | Weight (kg) |
|------------|---------------|---------------|----------------|----------------|----------------|-------------|
| JS385-50F | 40 (1-37/64") | 17 (43/64") | M10 (25/64") | 6 (15/64") | 7 (9/32") | 0.3 |
| JS385-60F | | | | | | |
| JS385-75F | | | | | | |
| JS385-90F | | | | | | |
| JS385-110F | 45 (1-49/64") | 19 (3/4") | M12 (15/32") | 7 (9/32") | 8 (5/16") | 1.8 |
| JS385-150F | 75 (2-61/64") | 30 (1-3/16") | M20 (25/32") | 12 (15/32") | 13 (33/64") | 5.9 |
| JS385-200F | 86 (3-25/64") | | M24 (15/64") | 14 (35/64") | 10 (25/64") | 11.7 |

LOW PROFILE HEAVY DUTY CASTER



LOAD CAPACITY
408-816 kg
898-1795 lbs

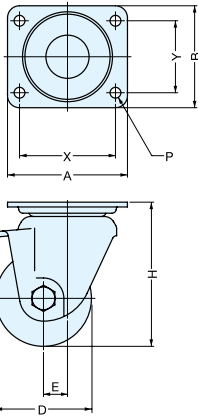
UHG



- Low profile and heavy duty up to 816 kg (1795 lbs), ideal for manufacturing equipment.
- Sealed heavy duty ball bearing swivel assembly provides smooth and long-term service.
- Hexavalent chromium free. Using trivalent chromium for RoHS compliance.
- Optional wheel types: Phenolic, Reinforced Nylon, MC Nylon or Electro-conductive MC Nylon.

*Please specify wheel type when ordering.

| Part Name | Material | Finish |
|---------------------|-----------------------------------|--|
| Body/Mounting Plate | Steel | Clear Zinc Chromate (Trivalent Chromium) |
| Wheel | Phenolic Resin (PB) | Black |
| | Reinforced Nylon (GFB) | |
| | MC Nylon (MC) | |
| | Electro-conductive MC Nylon (MCE) | |



| Item No. | Bearing in wheels | D | Wheel Width | H | A |
|------------------------|-------------------|-----|---------------|------------------|------------------|
| UHG-50 (PB,MC,MCE) | With Bearing | 50 | 38 (1-1/2") | 79 (3-7/64") | 84 (3-5/16") |
| UHG-65 (PB,GFB,MC,MCE) | | 65 | 48 (1-57/64") | 97 (3-13/16") | 100 (3-15/16") |
| UHG-75 (PB,GFB,MC,MCE) | | 75 | | 107 (4-7/32") | |
| UHG-80MC | | 80 | | 120 (4-23/32") | |
| UHG-100MC | | 100 | | 140 (5-33/64") | |

| Item No. | B | X | Y | P | E | Swivel Radius | Load Capacity (kg) | Weight (g) | Box (pcs) | Carton (pcs) |
|------------------------|-----|-----|----|------|----|---------------|--------------------|------------|-----------|--------------|
| UHG-50 (PB,MC,MCE) | 84 | 64 | 64 | 8.5 | 11 | 49 | 408 (898 lbs) | 820 | 20 | 200 |
| UHG-65 (PB,GFB,MC,MCE) | 100 | 78 | 78 | 10.5 | 14 | 57 | 510 (1122 lbs) | 1540 | 12 | 120 |
| UHG-75 (PB,GFB,MC,MCE) | | | | | | | 612 (1347 lbs) | 1625 | | |
| UHG-80MC | 85 | 80 | 60 | 9.0 | 20 | 72 | 816 (1795 lbs) | 1680 | 8 | 80 |
| UHG-100MC | 110 | 121 | 59 | 13.0 | | | | 2160 | | |

LOW PROFILE HEAVY DUTY CASTER



LOAD CAPACITY
408-612 kg
897-1346 lbs

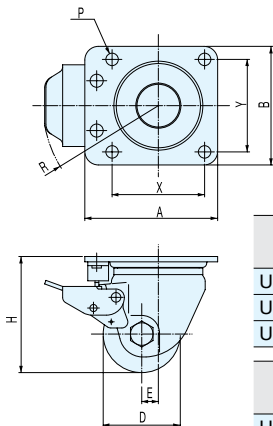
UHGK



- Low profile and heavy duty up to 612 kg (1346 lbs), ideal for manufacturing equipment.
- Sealed heavy duty ball bearing swivel assembly provides smooth and long-term service.
- Swivel Lock provides easy handling.
- Pull the lever up for rigid caster use, push down the lever for swivel caster use.
- Hexavalent chromium free. Using trivalent chromium for RoHS compliance.
- Optional wheel types from: Phenolic, MC Nylon or Electro-conductive MC Nylon.

*Please specify wheel type when ordering.

| Part Name | Material | Finish |
|---------------------|-----------------------------------|---|
| Body/Mounting Plate | Steel | Clear Zinc Chromate (*Trivalent Chromium) |
| Wheel | Phenolic Resin (PB) | Black |
| | MC Nylon (MC) | |
| | Electro-conductive MC Nylon (MCE) | |



| Item No. | Bearing in wheels | D | Wheel Width | H | A |
|---------------------|-------------------|-----------------|---------------|-----------------|------------------|
| UHGK-50 (PB,MC,MCE) | With Bearing | 50 (1-31/32") | 38 (1-1/2") | 79 (3-7/64") | 96 (3-25/32") |
| UHGK-65 (PB,MC,MCE) | | 65 (2-9/16") | 48 (1-57/64") | 97 (3-13/16") | 112 (4-13/32") |
| UHGK-75 (PB,MC,MCE) | | 75 (2-61/64") | | 107 (4-7/32") | |

| Item No. | B | X | Y | P | E | Swivel Radius | Load Capacity (kg) | Weight(g) | Box (pcs) | Carton (pcs) |
|---------------------|------------------|----|----|------|----|---------------|--------------------|-----------------------------|-----------|--------------|
| UHGK-50 (PB,MC,MCE) | 84 (3-5/16") | 64 | 64 | 8.5 | 12 | 83 | 408 (897 lbs) | 822(PB),818(MC),824(MCE) | 20 | 200 |
| UHGK-65 (PB,MC,MCE) | 100 (3-15/16") | 78 | 78 | 10.5 | 14 | 98 | 510 (1122 lbs) | 1559(PB),1540(MC),1549(MCE) | 12 | 120 |
| UHGK-75 (PB,MC,MCE) | | | | | | | 612 (1346 lbs) | 1660(PB),1644(MC),1641(MCE) | | |

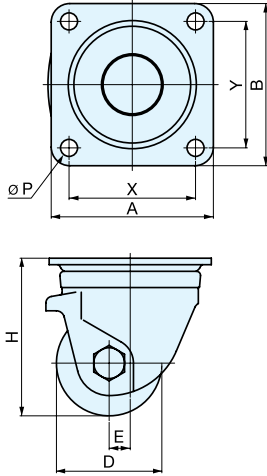
LOW PROFILE HEAVY DUTY CASTER

LOAD CAPACITY
163-326 kg
359-719 lbs

HG



- Low profile and heavy duty up to 255 kg (561 lbs), ideal for manufacturing equipment.
- Hardened frame for maximum rigidity and strength.
- Sealed ball bearing swivel assembly provides smooth and long-term service.
- Hexavalent chromium free. Using trivalent chromium for RoHS compliance.
- Two wheel types:
 - Phenolic
 - Reinforced Nylon with ball bearing spindle
- Wheel brake available on special order.



| Part Name | Material | Finish |
|----------------|------------------------|--|
| Body | Steel | Clear Zinc Chromate (Trivalent Chromium) |
| Mounting Plate | | |
| Wheel | Reinforced Nylon (GNB) | Black |
| | Phenolic Resin (PB) | |

| Item No. | Bearing in wheels | D | Wheel Width | H | A |
|----------|-------------------|---------------|---------------|----------------|---------------|
| HG-50GNB | Without Bearing | 50 (1-31/32") | 28 (1-7/64") | 68 (2-43/64") | 50 (1-31/32") |
| HG-65PB | With Bearing | 65 (2-9/16") | 38 (1-1/2") | 92 (3-5/8") | 90 (3-35/64") |
| HG-75PB | | 75 (2-61/64") | | 106 (4-11/64") | |

| Item No. | B | X | Y | P | E | Swivel Radius | Load Capacity (kg) | Weight (g) | Box (pcs) | Carton (pcs) |
|----------|----|----|----|------|----|---------------|--------------------|------------|-----------|--------------|
| HG-50GNB | 50 | 64 | 64 | 6.5 | 25 | 51 | 163 (359 lbs) | 320 | 60 | 600 |
| HG-65PB | | | | | | 57 | 306 (675 lbs) | 880 | 20 | 200 |
| HG-75PB | 90 | 71 | 71 | 10.5 | 22 | 61 | 326 (719 lbs) | 970 | 12 | 120 |

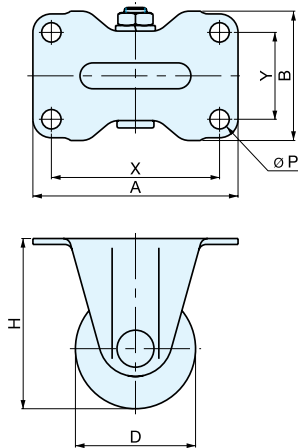
LOW PROFILE HEAVY DUTY CASTER

LOAD CAPACITY
163-255 kg
359-561 lbs

HR



- Low profile and heavy duty up to 255kg (561 lbs), ideal for manufacturing equipment.
- Hardened frame for maximum rigidity and strength.
- Hexavalent chromium free. Using trivalent chromium for RoHS compliance.
- Two wheel types:
 - Phenolic
 - Reinforced Nylon with ball bearing spindle



| Part Name | Material | Finish |
|----------------|-----------------------|--|
| Body | Steel | Clear Zinc Chromate (Trivalent Chromium) |
| Mounting Plate | | |
| Wheel | Reinforced Nylon(GNB) | Black |
| | Phenolic Resin(PB) | |

| Item No. | Bearing in wheels | D | Wheel Width | H | A |
|----------|-------------------|---------------|---------------|----------------|----------------|
| HR-50GNB | Without Bearing | 50 (1-31/32") | 28 (1-7/64") | 68 (2-43/64") | 80 (3-5/32") |
| HR-65PB | With Bearing | 65 (2-9/16") | 38 (1-1/2") | 92 (3-5/8") | 111 (4-3/8") |
| HR-75PB | | 75 (2-61/64") | | 106 (4-11/64") | 123 (4-27/32") |

| Item No. | B | X | Y | P | Load Capacity (kg) | Weight (g) | Box (pcs) | Carton (pcs) |
|----------|----|-----|----|------|--------------------|------------|-----------|--------------|
| HR-50GNB | 50 | 66 | 36 | 6.5 | 163 (359 lbs) | 200 | 60 | 600 |
| HR-65PB | 67 | 91 | 47 | 10.5 | 234 (516 lbs) | 615 | 12 | 120 |
| HR-75PB | 72 | 103 | 52 | | 255 (561 lbs) | 725 | | |

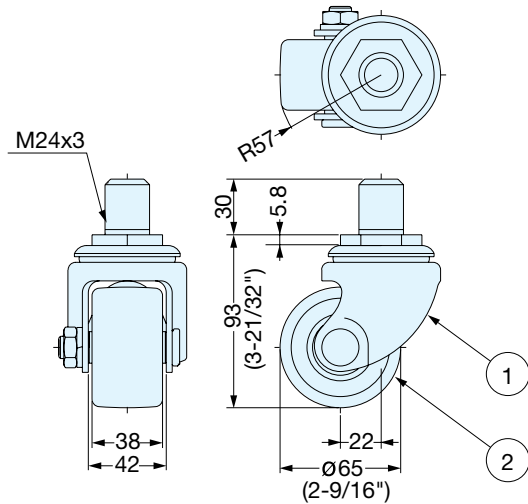
LOW PROFILE HEAVY DUTY CASTER

LOAD CAPACITY
204 kg
449 lbs

HT-65PB



- Low profile and heavy duty up to 204 kg (449 lbs), ideal for manufacturing equipment.
- Hardened frame provides maximum rigidity and strength.



| Part Name | Material | Finish |
|-----------|--------------------|---|
| Body | Steel | Clear Zinc Chromate (Trialent Chromium) |
| Wheel | Phendic Resin (PB) | Black |

| Item No. | Load Capacity (kg) | Weight (g) | Box (pcs) | Carton (pcs) |
|----------|--------------------|------------|-----------|--------------|
| HT-65PB | 204 (449 lbs) | 775 | 20 | 200 |

CASTERS & LEVELING GLIDES

LOW PROFILE HEAVY DUTY CASTERS

CASTER COMBINATION – SET UP

Good



| Cost | Stability | Control | Load Capacity |
|-------|-----------|---------|---------------|
| A | B/C | A/B | E |
| B/C/D | D/E | D/E | B/C/D |
| E | A | C | A |

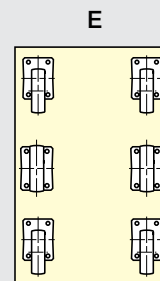
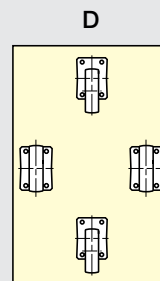
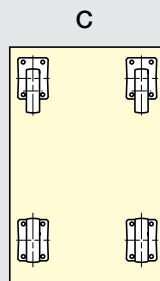
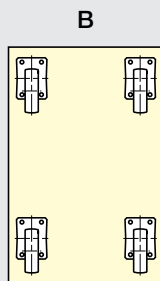
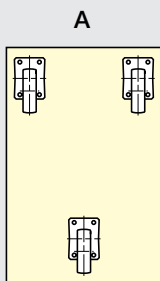
A: TYPE - 3 x Swivel
SET UP - 2 + 1 Triangle

B: TYPE - 4 x Swivel
SET UP - Square

C: TYPE - 2 x Swivel & 2 x Fix
SET UP - Square

D: TYPE - 2 x Swivel & 2 x Fix
SET UP - Rhombus

E: TYPE - 4 x Swivel & 2 x Fix (Middle)
SET UP - Square

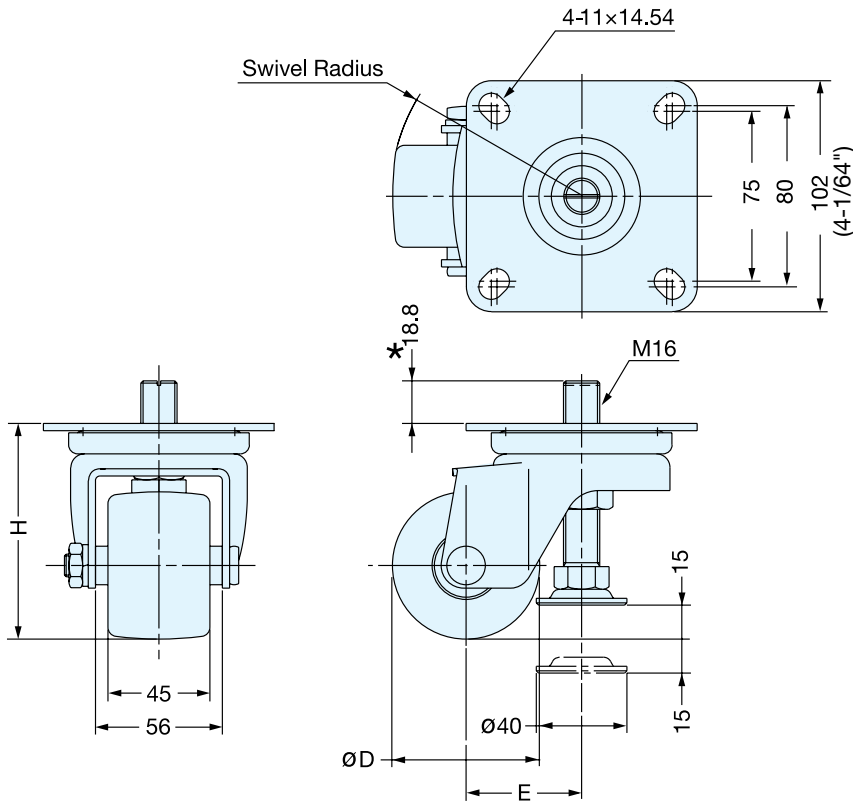
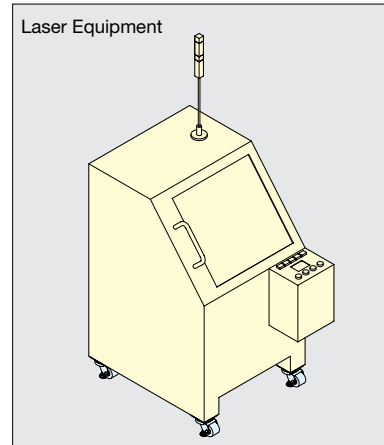
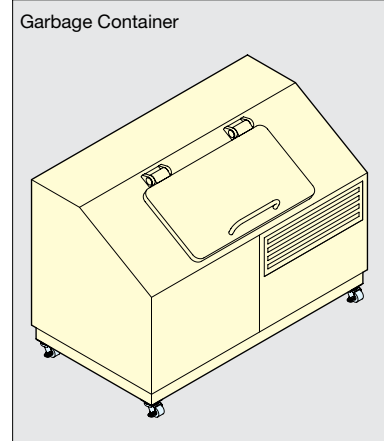
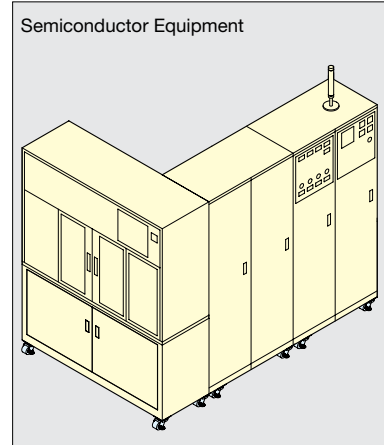


CASTER W/LEVELING GLIDE

LOAD CAPACITY
255 kg
561 lbs

AF-50, 65

- Heavy duty, low profile caster with integrated leveling glide.
- Allows solid support by leveler once equipment is in place.



*Round cut out or bore is required for bolt of leveler.

Installation

| Part Name | Material | Finish |
|-----------|----------|--------|
| Body | Steel | Chrome |
| Wheel | Nylon | Black |

| Item No. | D | H | E | Swivel Radius | Load Capacity (kg) | Weight (g) | Box (pcs) | Carton (pcs) |
|----------|---------------|---------------|----|---------------|--------------------|------------|-----------|--------------|
| AF-50 | 50 (1-31/32") | 74 (2-59/64") | 46 | 73 | 255 (561 lbs) | 1205 | 18 | 180 |
| AF-65 | 65 (2-9/16") | 95 (3-47/64") | 51 | 85 | | 1335 | 12 | 120 |

CASTERS & LEVELING GLIDES

CASTERS WITH LEVELING GLIDES

PARTS SEPARABLE CASTER (W/GLIDE)



LOAD CAPACITY
60~120 kg
132~264 lbs

CA

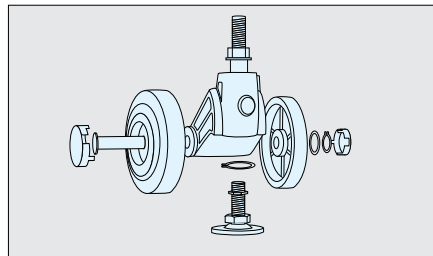
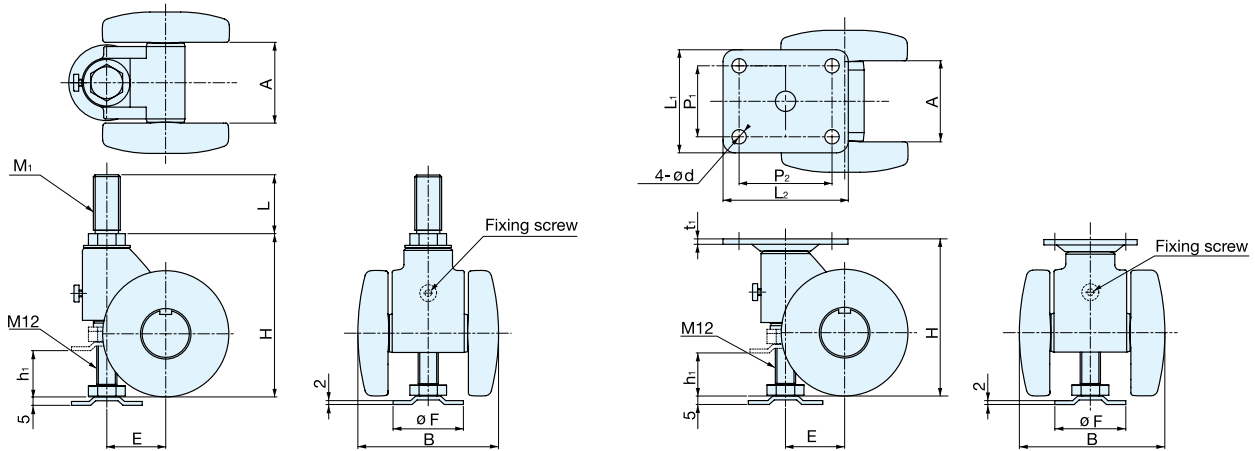


CABF-75/BLK

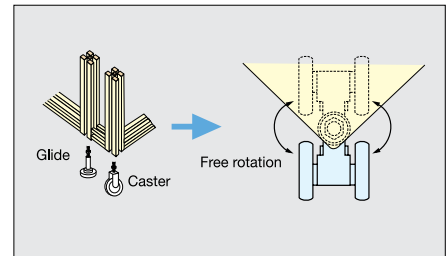


CAPS-50/WHT

- Caster with Built-in leveling glide.
- Glides provide better stability than a regular caster with stopper.
- Caster body rotates freely when raised by the glide. Tighten fixing screw to fix the position.
- Parts can be easily separated for recycling purpose.



- Parts can be easily separated for recycling purpose.



- Built-in leveling glide allows easy installation rather than installing two separate parts.
- Caster body rotates freely when raised by the glide. Tighten fixing screw to fix the position.

| Part Name | Material | |
|---------------|---------------------------------|-------------------------------------|
| | CABF, CAPF | CABS, CAPS |
| Body/Wheel | Polyamide (Black/White) | Polyamide (White) |
| Glide | Steel (Yellow Zinc Chromate) | 304 Stainless Steel (Passivated) |
| Threaded Bolt | | |
| Plate | | |

| Item No. | | Type | H | h1 | E | F | A | B | L | L1 | L2 | P1 | P2 | d | t1 | M1 | Load Capacity (kg) | Weight (g) | Box (pcs) | Carton (pcs) |
|-------------|-------------|-------|----|----|----|----|----|----|----|----|----|----|----|-----|-----|-----|--------------------|------------|-----------|--------------|
| Black | White | | | | | | | | | | | | | | | | | | | |
| CABF-50/BLK | CABF-50/WHT | Stem | 67 | 10 | 30 | 34 | 40 | 69 | 35 | - | - | - | - | - | - | M12 | 60 (132 lbs) | 260 | 40 | 400 |
| CABF-75/BLK | CABF-75/WHT | | 95 | 24 | 35 | 42 | 50 | 84 | | | | | | | | M16 | 120 (264 lbs) | 400 | 20 | 200 |
| - | CABS-50/WHT | | 67 | 10 | 30 | 34 | 40 | 69 | | | | | | | | M12 | 60 (132 lbs) | 262 | 40 | 400 |
| - | CABS-75/WHT | | 95 | 24 | 35 | 42 | 50 | 84 | | | | | | | | M16 | 120 (264 lbs) | 402 | 20 | 200 |
| CAPF-50/BLK | CAPF-50/WHT | Plate | 63 | 10 | 30 | 34 | 40 | 69 | - | 61 | 74 | 42 | 55 | 8.5 | 3.2 | - | 60 (132 lbs) | 306 | 40 | 400 |
| CAPF-75/BLK | CAPF-75/WHT | | 92 | 24 | 35 | 42 | 50 | 84 | | | | | | | | - | 120 (264 lbs) | 424 | 20 | 200 |
| - | CAPS-50/WHT | | 63 | 10 | 30 | 34 | 40 | 69 | | | | | | | | - | 60 (132 lbs) | 300 | 40 | 400 |
| - | CAPS-75/WHT | | 92 | 24 | 35 | 42 | 50 | 84 | | | | | | | | - | 120 (264 lbs) | 420 | 20 | 200 |