

HOOKS



UTILITY HOOKS
BUTTERFLY HOOKS
SWING HOOKS
RECESSED HOOKS

LARGE HOOKS

Picture	Item No.	Load Capacity (lbs)	Page
	JF-45, 70, 110 	22 - 26	378
	JF-50, 80, 120 	26 - 48	378
	JFT-180, 260 	22 - 33	379
		30 - 42	379
		33 - 70	379
		44 & 83	380
		83	380

UTILITY HOOKS

Picture	Item No.	Load Capacity (lbs)	Page
	DS-H-50, 60 	22	381
	KB-H-35, 40 	44	381
	TA-3 	35	381

SMALL HOOKS

Picture	Item No.	Load Capacity (lbs)	Page
	PF	-	382
	CH	11 - 17.6	382
	BH	11	382
	2H 	13.2-22	383
	4H	-	383
	5H	67.5	383
	RN-50	20	384
	RI-074	11	384
	RB-102	-	384
	HJ	17.6 - 22	385

Picture	Item No.	Load Capacity (lbs)	Page
	HJU	17.6 - 22	385
	HJT 	17.6 - 22	386
	EU 	44 - 66	386
	EW-65E, 80E 	44	386
	TY 	6.6 - 17.6	387
	TF 	6.6 - 26	387
	TL 	11.0 - 26.0	387
	EL-25, 30 	44	388
	EP-25, 40 	44	388
	FC, FC-TI	22.0 - 26.0	388
	KB-F-70 	-	389
	KB-F-75 	-	389

LATCH HOOKS

Picture	Item No.	Load Capacity (lbs)	Page
	WH 	-	389
	EN-E107	88	390
	EN-K 	44 - 132	390
	EN-R80 	22 - 44	391
	EN-R100F	132LBS.	391
	EN-R80-K 	44	392

SWING HOOKS

Picture	Item No.	Load Capacity (lbs)	Page
	TK	17.0 - 26.0	392
	JF-T	22	393
	JN-T100	88	393
	EY-R	1103 - 2646	394
	TZ-360	6 - 13	394
	DZ-270	12	394
	RF-D35	11 - 23	394
	XL-JSF40TT	110	395
	UC	12.0 - 14.0	395
	UJ	14.0 - 19.0	395
	RF-U50	13	396
	RF-50	6.6	396

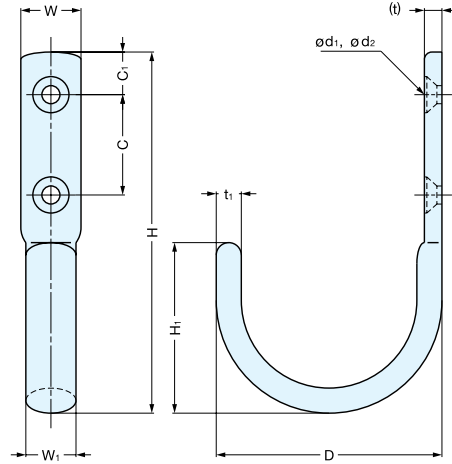
RECESSED HOOKS

Picture	Item No.	Load Capacity (lbs)	Page
	NF-60	44	397
	NF-60D	66	397
	NF-R64	44	398
	NF-50, 50D	-	398

LARGE UTILITY HOOK



JF-45, 70, 110



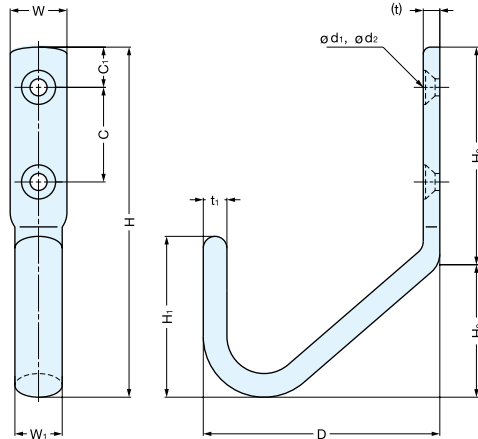
Material	Finish
303 Stainless Steel	Mirror

Item No.	D	W	W ₁	H	H ₁	C	C ₁	t	t ₁	d ₁	d ₂	Load Capacity (kg)	Weight (g)	Box (pcs)	Carton (pcs)	Screw
JF-45	145 (1-25/32")	12	10	72 (2-27/32")	34	20	8.5	3.5	5	3.8	7.2	10 (22 lbs)	40	20	120	3.5 × 16
JF-70	68 (2-43/64")	16	13	120 (4-23/32")	55	35	15.0	4.0	6	4.3	8.6	12 (26 lbs)	95	6	36	4.1 × 20
JF-110	110 (4-21/64")	18	14	200 (7-7/8")	90	70	17.0	5.5	8	5.3	10.6	12 (26 lbs)	270	5	30	5.1 × 32

LARGE UTILITY HOOK

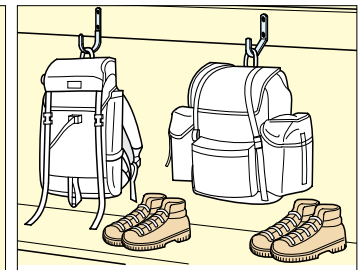
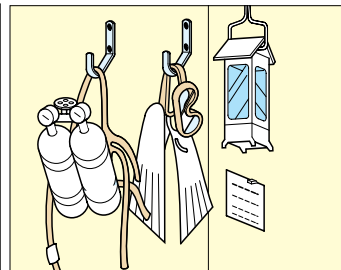
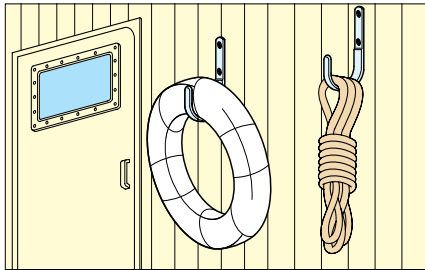


JF-50, 80, 120



Material	Finish
303 Stainless Steel	Mirror

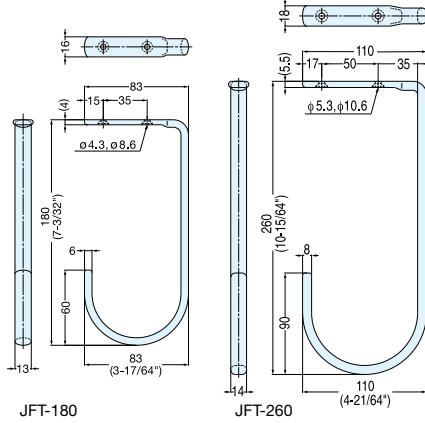
Item No.	D	W	W ₁	H	H ₁	H ₂	H ₃	C	C ₁	t	t ₁	d ₁	d ₂	Load Capacity (kg)	Weight (g)	Box (pcs)	Carton (pcs)	Screw
JF-50	50 (1-31/32")	12	10	74 (2-29/32")	34	46	28	20	8.5	3.5	5	3.8	7.2	12 (26 lbs)	40	20	120	3.5 × 16
JF-80	80 (3-5/32")	16	13	115 (4-17/32")	50	65	50	30	15.0	4.0	6	4.3	8.6	20 (44 lbs)	95	6	36	4.1 × 20
JF-120	120 (4-23/32")	18	14	200 (7-7/8")	90	112	88	70	17.0	5.5	8	5.3	10.6	22 (48 lbs)	260	5	30	5.1 × 32



LARGE UTILITY HOOK



JFT-180, 260



• Ideal for undermount applications.

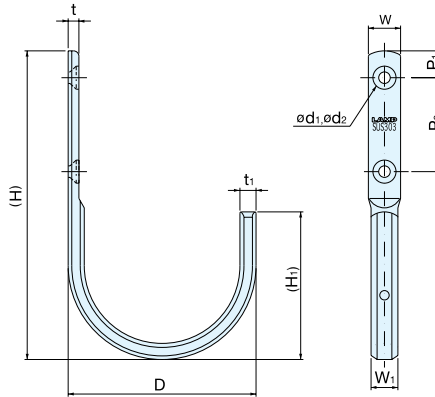
Material	Finish
303 Stainless Steel	Mirror

Item No.	Load Capacity (kg)	Weight (g)	Box (pcs)	Carton (pcs)	Screw
JFT-180	10 (22 lbs)	180	5	30	4.5 × 25
JFT-260	15 (33 lbs)	380			5.1 × 38

LARGE UTILITY HOOK



XL-CUJ



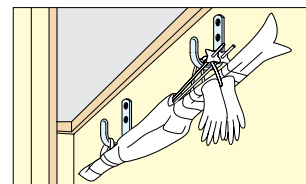
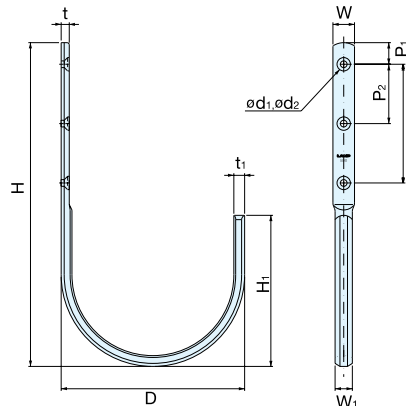
Material	Finish
303 Stainless Steel	Mirror Satin combination

Item No.	D	W	W ₁	(H)	(H) ₁	P ₁	P ₂	t	t ₁	d ₁	d ₂	Load Capacity (kg)	Weight (g)	Box (pcs)	Carton (pcs)	Screw
XL-CUJ-45TT	46 (1-13/16")	12	10	75 (2-61/64")	36	8.5	20	4.5	6	3.8	7.2	19 (42 lbs)	48	20	120	3.5 × 20
XL-CUJ-70TT	72 (2-53/64")			112 (4-13/32")	56	10.0	35					14 (30 lbs)				

LARGE UTILITY HOOK



XL-CUF



Material	Finish
303 Stainless Steel	Mirror Satin combination

Item No.	D	W	W ₁	H	H ₁	P ₁	P ₂	P ₃	t	t ₁	d ₁	d ₂	Load Capacity (kg)	Weight (g)	Box (pcs)	Carton (pcs)	Screw
XL-CUF-110TT	112	20	16	198	91.0	17	-	70	7.5	10	5.2	10.5	32 (70 lbs)	357	5	30	5 × 30
XL-CUF-170TT	173			300	138.5	20	55	110					15 (33 lbs)				20

HOOK



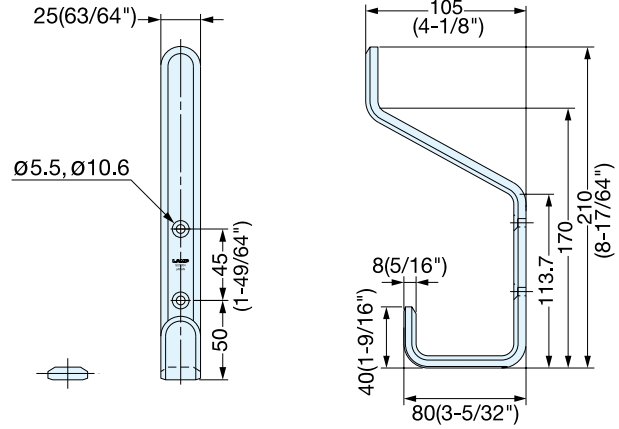
XL-SB210



Mirror

Satin

- Stainless steel bracket with dimensional design.
- Two-in-one hook.



Item No.	Load Capacity (kg)		Weight (g)	Box (pcs)	Carton (pcs)
	Upper	Lower			
XL-SB210/M	20 (44 lbs)	38 (83 lbs)	500	2	20
XL-SB210/S					

Material	Finish
304 Stainless Steel	Mirror (M)/Satin (S)

HOOK



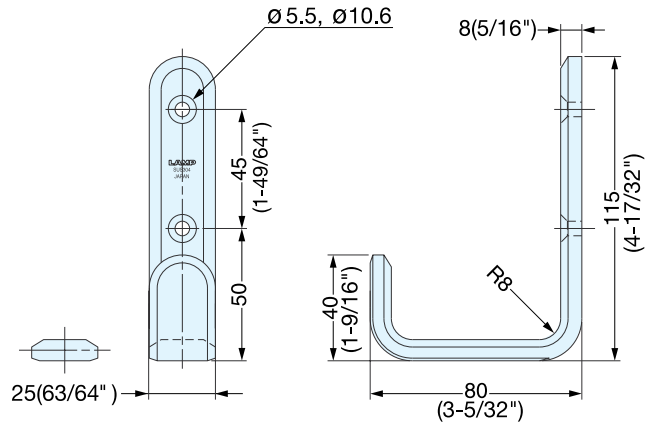
XL-SF115



Mirror

Satin

- Stainless steel bracket with dimensional design.



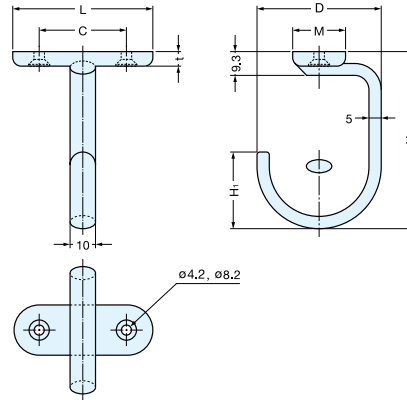
Item No.	Load Capacity (kg)	Weight (g)	Box (pcs)	Carton (pcs)
XL-SF115/M	38 (83 lbs)	280	4	40
XL-SF115/S				

Material	Finish
304 Stainless Steel	Mirror (M)/Satin (S)

HOOK



DS-H-50, 60



• Ideal for undermount applications.

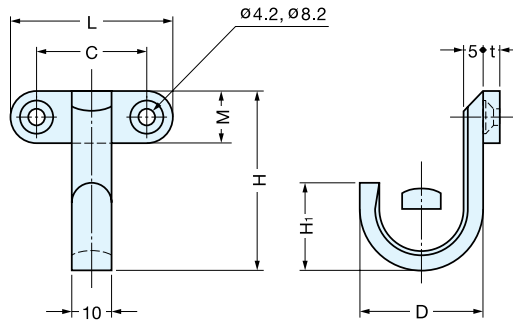
Material	Finish
303 Stainless Steel	Mirror

Item No.	D	C	H	H ₁	L	M	t	Load Capacity (kg)	Weight (g)	Box (pcs)
DS-H-50	50	35	70 (2-3/4")	30	55 (2-5/32")	20	6	10 (22 lbs)	100	5
DS-H-60	60		100 (3-15/16")	40					105	

HOOK



KB-H-35, 40



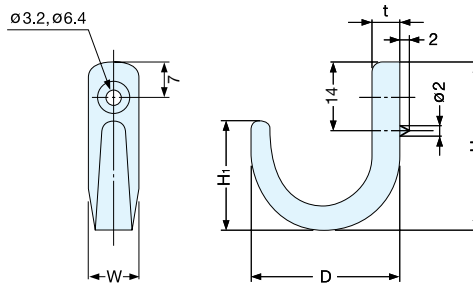
Material	Finish
303 Stainless Steel	Mirror

Item No.	D	C	H	H ₁	L	M	t	Load Capacity (kg)	Weight (g)	Box (pcs)
KB-H-35	35	27	45 (1-25/32")	22	40 (1-37/64")	13	4	20 (44 lbs)	50	10
KB-H-40	40		50 (1-31/32")	25					55	

HOOK



TA-3



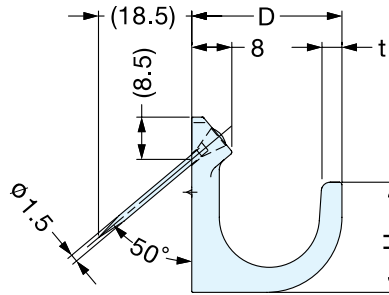
Material	Finish
304 Stainless Steel	Mirror

Item No.	D	W	H	H ₁	t	Load Capacity (kg)	Weight (g)	Box (pcs)	Carton (pcs)
TA-3S	22 (7/8")	9	29 (1-9/64")	16	4.0	16 (35 lbs)	10	30	600
TA-3L	30 (1-3/16")	10	34 (1-11/32")	22	5.5		19	20	400

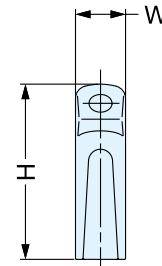
HOOK



PF



• For Dry Wall Mount



Material	Finish
304 Stainless Steel	Mirror

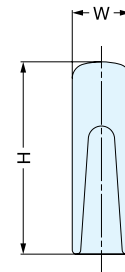
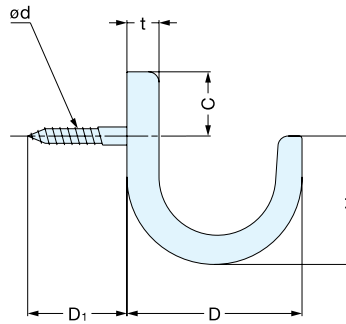
Item No.	D	W	H	H ₁	t	Weight (g)	Box (pcs)	Carton (pcs)
PF-22	22 (7/8")	9	30 (1-3/16")	16	3	14	20	200
PF-30	30 (1-3/16")	10	35 (1-3/8")	22	4	24		

HOOKS
UTILITY HOOKS

HOOK



CH



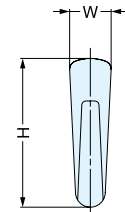
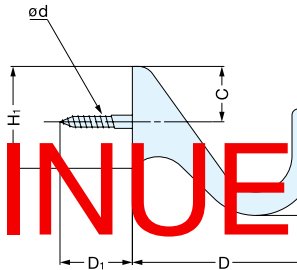
Material	Finish
304 Stainless Steel	Mirror

Item No.	D	D ₁	W	H	H ₁	d	C	t	Load Capacity (kg)	Weight (g)	Box (pcs)	Carton (pcs)
CH-S	22 (7/8")	17	9	27 (1-1/16")	15	3.1	9	4	5 (11.0 lbs)	10.0	30	600
CH-L	30 (1-3/16")		10	33 (1-19/64")	22			11	5	8 (17.6 lbs)	18.5	20

HOOK



BH



****DISCONTINUED**

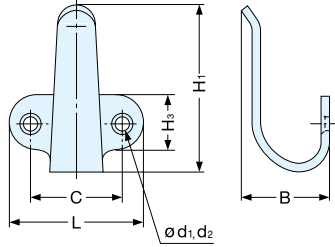
Material	Finish
304 Stainless Steel	Mirror

Item No.	D	D ₁	W	H	H ₁	H ₂	d	C	Load Capacity (kg)	Weight (g)	Box (pcs)	Carton (pcs)
BH-S	33 (1-19/64")	17	9	29 (1-9/64")	16	20	3.1	8	5 (11 lbs)	15	30	600

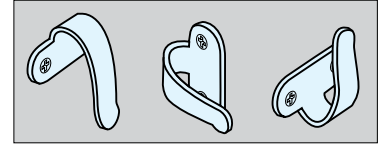
HOOK



2H



• Unique design, also can be used as a pull.



Material	Finish
304 Stainless Steel	Satin

Item No.	L	C	C ₁	H	B	d ₁	d ₂	Load Capacity (kg)	Weight (g)	Box (pcs)	Carton (pcs)	Screw
2H-20	28.0 (1-3/32")	18.0	10	30 (1-3/16")	18	4	6.2	10 (22 lbs)	13	120	1200	3.1 × 16
2H-30	32.5 (1-9/32")	20.0	13	39 (1-17/32")			7.0		18	100	1000	
2H-40	35.0 (1-3/8")	21.5	16	44 (1-47/64")	23		6 (13 lbs)	23	80	800	3.5 × 16	
2H-50	43.0 (1-11/16")	30.0	18	56 (2-13/64")	25			34	50	500		

HOOK

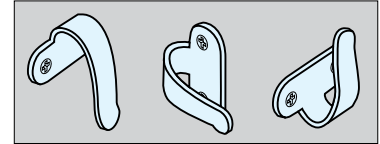
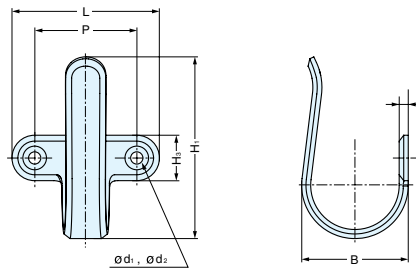


4H



4H-40M

4H-65TT



Material	Finish
304 Stainless Steel	Mirror (M)/Satin (TT)

Item No.	L	P	H ₁	H ₂	B	d ₁	d ₂	Weight (g)	Box (pcs)	Carton (pcs)
4H-40M	40 (1-37/64")	27 (1-1/16")	47 (1-27/32")	13 (33/64")	30 (1-3/16")	4.4	8.4	44	20	200
4H-40TT										
4H-55M	55 (2-11/64")	38 (1-1/2")	65 (2-9/16")	17 (43/64")	40 (1-37/64")			81	15	150
4H-55TT										
4H-65M	65 (2-9/16")	45 (1-49/64")	80 (3-5/32")	20 (25/32")	47 (1-27/32")	5.4	10.4	120	10	100
4H-65TT										

HOOK

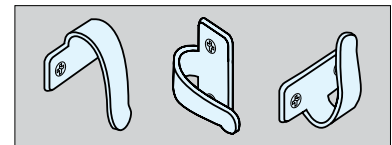
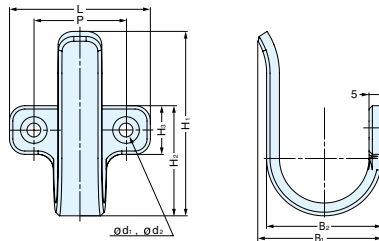


5H



5H-85M

5H-85TT



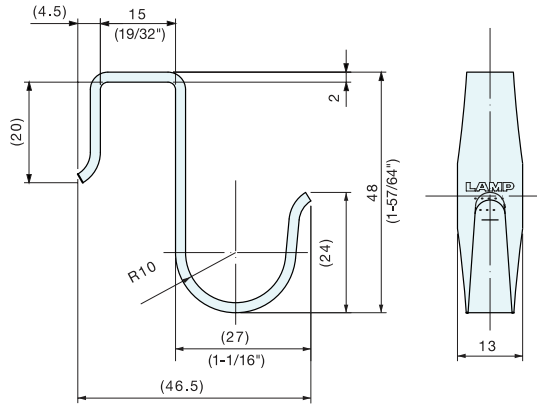
Material	Finish
304 Stainless Steel	Mirror (M)/Satin (TT)

Item No.	L	P	H ₁	H ₂	H ₃	B ₁	B ₂	d ₁	d ₂	Load Capacity (kg)	Weight (g)	Box (pcs)	Carton (pcs)
5H-45M	45 (1-49/64")	30 (1-3/16")	56.0 (2-13/64")	34.5	15	37.4 (1-15/32")	32.5	4.5	9.0	30.6 (67 lbs)	74	15	150
5H-45TT													
5H-60M	60 (2-23/64")	40 (1-37/64")	72.7 (2-55/64")	43.4	19	47.7 (1-7/8")	43.5	5.5	10.5		133	10	100
5H-60TT													
5H-85M	85 (3-11/32")	60 (2-23/64")	94.0 (3-45/64")	60.6	25	66.7 (2-5/8")	58.2	6.5	12.4	238	5	50	
5H-85TT													

HOOK



RN-50



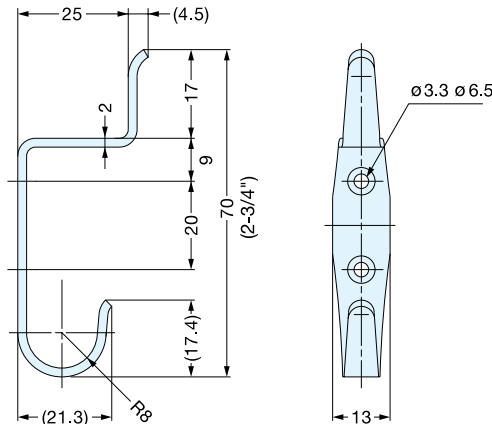
• Designed for use on thin partitions.

Item No.	Load Capacity (kg)	Weight (g)	Box (pcs)	Carton (pcs)	Material	Finish
RN-50	9.4 (20 lbs)	17	40	400	304 Stainless Steel	Satin

DOUBLE HOOK



RI-074



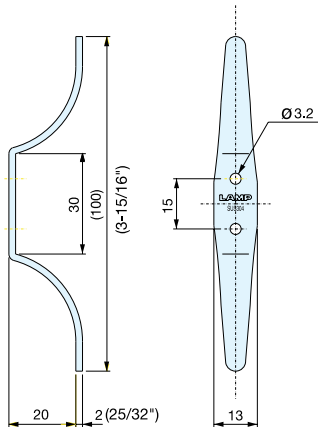
• Unique two-in-one hook.

Item No.	Load Capacity (kg)	Weight (g)	Box (pcs)	Carton (pcs)	Material	Finish
RI-074	5 (11 lbs)	16	40	400	304 Stainless Steel	Satin

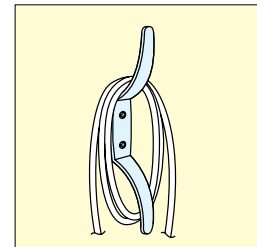
DOUBLE HOOK



RB-102



• Can be used as a light duty tie up cleat.



Item No.	Weight (g)	Box (pcs)	Carton (pcs)	Material	Finish
RB-102	16	40	400	304 Stainless Steel	Satin

HOOK



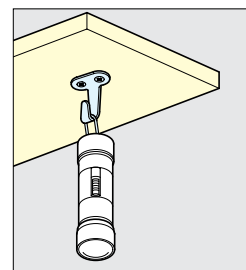
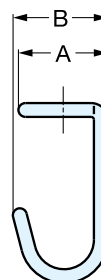
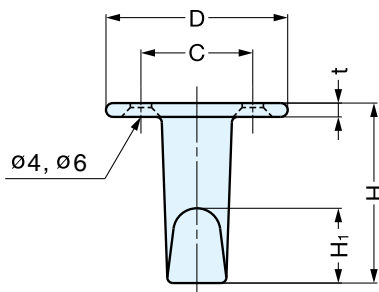
HJ

• Ideal for undermount applications.



HJ-50

HJ-30SBL



Material	Finish
304 Stainless Steel	Satin/Black (BL)

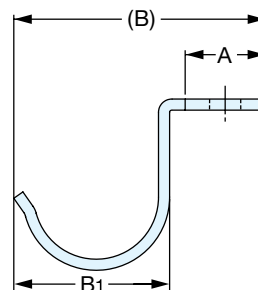
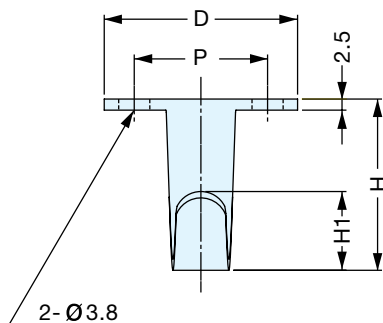
Item No.	D	C	H	H ₁	A	B	t	Load Capacity (kg)	Weight (g)	Box (pcs)	Carton (pcs)
HJ-20	28.0 (1-3/32")	18	27.0 (1-1/16")	11.0	13	17 (43/64")	2.5	10 (22.0 lbs)	11	120	1200
HJ-20SBL											
HJ-30	33.0 (1-9/32")	20	32.5 (1-9/32")	13.5	16			8 (17.6 lbs)	15	30	600
HJ-30SBL											
HJ-50	43.5 (23/32")	30	47.0 (1-27/32")	19.6	21	22 (7/8")		10 (22.0 lbs)	30	40	800
HJ-50SBL											

HOOK



HJU

• Ideal for undermount applications.



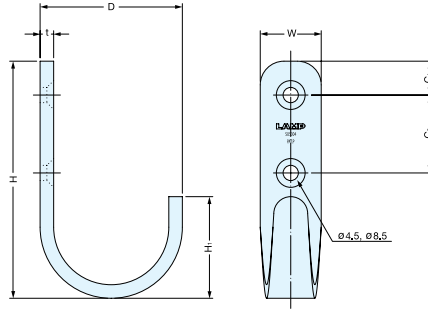
Material	Finish
304 Stainless Steel	Mirror/Black (BL)

Item No.	D	P	H	H ₁	A	B	B ₁	Load Capacity (kg)	Load Capacity (lbs)	Weight(g)	Box(pcs)	Carton(pcs)
HJU-30S	32.5 (1-9/32")	20 (25/32")	25.0 (63/64")	13	13	41.8	25.5	8	17.6	15	30	600
HJU-50S	43.5 (1-45/64")	30 (1-11/64")	38.5 (1-33/64")	18	18	59.0	37.5	10	22.0	30	40	800

HOOK



HJT



• 4mm thick material designed for excellent durability.

Material	Finish
304 Stainless Steel	Satin (S)/Black (BL)

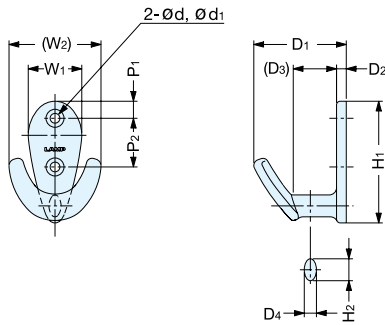
Item No.	D	H	H ₁	t	W	C ₁	C ₂	Load Capacity (kg)	Weight (g)	Box (pcs)	Carton (pcs)
HJT-55S	33 (9/32")	55 (5/32")	23	4	15	8	19	10 (22.0 lbs)	34	30	300
HJT-55SBL											
HJT-70S	43 (11/16")	70 (3/4")	30	4	18	10	23	8 (17.6 lbs)	53	20	200
HJT-70SBL											

SMALL HOOKS

FORK HOOK



EU



• Hook with unique design.
 • Can hang 3 items at same time. Two on the tips and one on the neck.
 • Two-pronged shape ideal for hats, coats, etc.

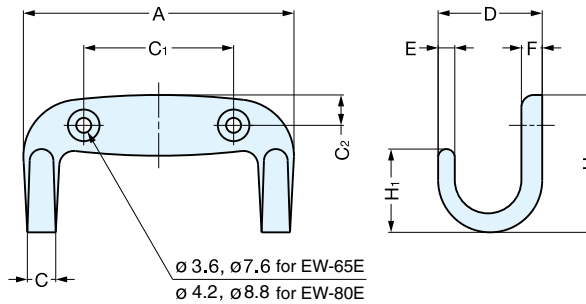
Item No.	W ₁	W ₂	D ₁	D ₂	D ₃	D ₄	H ₁	H ₂	d	d ₁	P ₁	P ₂
EU-50	22	38 (1-1/2")	38 (1-1/2")	4	17.8	5	50 (1-31/32")	9	4.0	7.4	7	20
EU-72	32	56 (2-13/64")	52 (2-3/64")	6	23.0	8	72 (2-53/64")	14	4.6	8.6	10	34

Item No.	Load Capacity (kg)	Weight (g)	Box (pcs)	Carton (pcs)	Material	Finish
EU-50	20 (44 lbs)	42	20	120	316 Stainless Steel	Mirror
EU-72	30 (66 lbs)	118	10	60		

HOOK



EW-65E, 80E



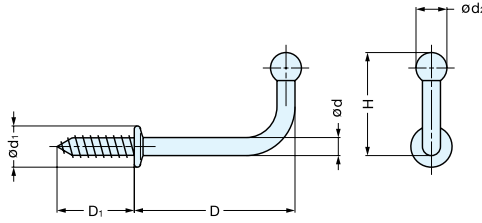
Material	Finish
304 Stainless Steel	Mirror

Item No.	A	C ₁	C	D	E	F	C ₂	H	H ₁	Load Capacity (kg)	Weight (g)	Box (pcs)	Carton (pcs)	Screw
EW-65E	65 (2-9/16")	36	6.5	25	4	5	7.3	33 (1-19/64")	20	20 (44 lbs)	52	10	100	3.1 × 16
EW-80E	80 (3-5/32")	44	8.0	32	5	6	9.0	42 (1-21/32")	25		93			3.8 × 20

WIRE HOOK



TY



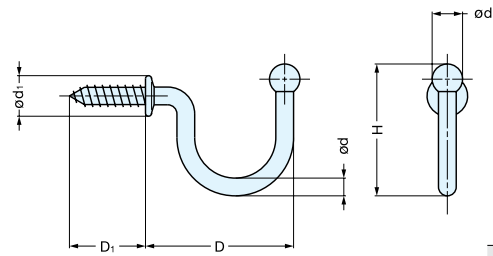
Material	Finish
304 Stainless Steel	Polished

Item No.	D	D ₁	H	d	d ₁	d ₂	Load Capacity (kg)	Weight (g)	Box (pcs)	Carton (pcs)
TY-20	21.8 (55/64")	11	14 (35/64")	2.7	6.5	4.5	3 (6.6 lbs)	1.5	200	7200
TY-25	27.0 (1-1/16")	13	17 (43/64")	3.0	7.0	5.0		3.0		
TY-30	31.2 (1-7/32")	15	20 (25/32")	3.5	8.0	6.0	7 (15.4 lbs)	5.0	100	1800
TY-35-15	36.5 (1-7/16")		23 (29/32")	4.0	9.0	6.5		7.0		
TY-40-15	43.5 (1-23/32")		27 (1-1/16")	4.5	10.0	7.5		8 (17.6 lbs)		

WIRE HOOK



TF



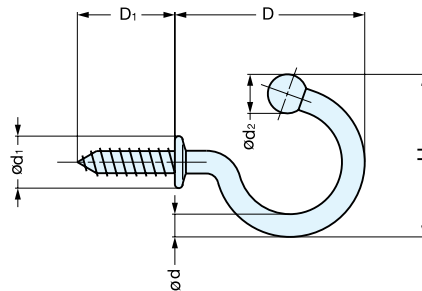
Material	Finish
304 Stainless Steel	Polished

Item No.	D	D ₁	H	d	d ₁	d ₂	Load Capacity (kg)	Weight (g)	Box (pcs)	Carton (pcs)
TF-20	20.8 (13/16")	11	20 (25/32")	2.7	6.5	4.5	3 (6.6 lbs)	3.0	200	7200
TF-30	29.2 (1-5/32")	15	26 (1-1/32")	3.5	8.0	6.0	7 (15.4 lbs)	5.5	100	1800
TF-35	40.5 (1-19/32")	20	35 (1-3/8")	4.5	10.0	7.5	12 (26.0 lbs)	13.5	50	900

WIRE HOOK



TL



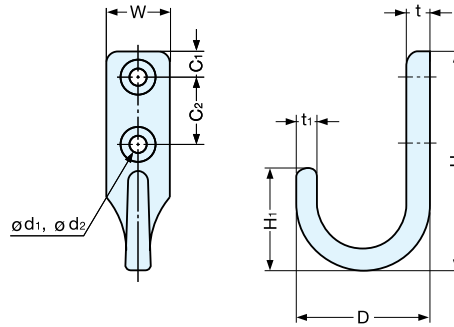
Material	Finish
304 Stainless Steel	Polished

Item No.	D	D ₁	H	d	d ₁	d ₂	Load Capacity (kg)	Weight (g)	Box (pcs)	Carton (pcs)
TL-15	16.8 (21/32")	11	15 (19/32")	2.7	6.5	4.5	5 (11 lbs)	1.9	200	7200
TL-20	22.8 (29/32")		20 (25/32")					2.1		
TL-30	29.2 (1-5/32")	15	25 (63/64")	6.0	50	900				
TL-40	40.5 (1-19/32")	20	34 (1-11/32")	4.5			10.0	7.5	12 (26 lbs)	13.5

HOOK



EL-25, 30



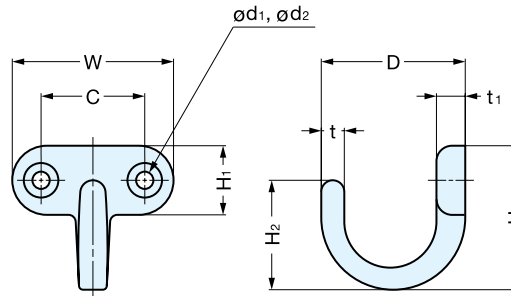
Material	Finish
304 Stainless Steel	Mirror

Item No.	D	H	H ₁	t	t ₁	W	C ₁	C ₂	d ₁	d ₂	Load Capacity (kg)	Weight (g)	Box (pcs)	Carton (pcs)	Screw
EL-25	26 (1-1/32")	40.0 (1-37/64")	19	5.5	4	12	5	12	3	6	20 (44 lbs)	19	30	300	2.7 × 16
EL-30	32 (1-17/64")	54.5 (2-9/64")	25	6.0	5	15	6	16	4	8		32	20	200	3.8 × 20

HOOK



EP-25, 40



Material	Finish
304 Stainless Steel	Mirror

Item No.	D	W	H	H ₁	H ₂	t	t ₁	C	d ₁	d ₂	Load Capacity (kg)	Weight (g)	Box (pcs)	Carton (pcs)	Screw
EP-25	25 (63/64")	28	25 (63/64")	12	19	4	5	18	3	6	20 (44 lbs)	16	30	300	2.7 × 16
EP-40	32 (1-17/64")	36	33 (1-19/64")	16	25	5	6	23	4	8		31	20	200	3.8 × 20

HOOK



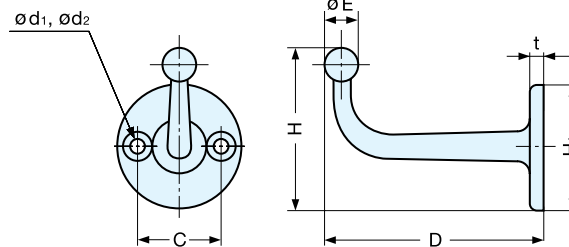
FC, FC-TI



FC



FC-TI



* Titanium Available Upon Request

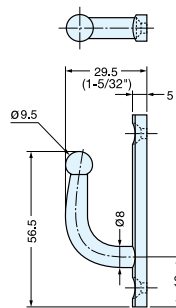
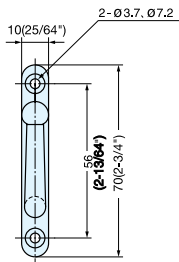
Material	Finish
304 Stainless Steel	Mirror

Item No.	D	H	H ₁	t	C	d ₁	d ₂	E	Load Capacity (kg)	Weight (g)	Material	Box (pcs)	Carton (pcs)
FC-50	47 (1-27/32")	37 (1-29/64")	28	3	18.5	3.3	6.5	6.5	10 (22 lbs)	17	304 Stainless Steel	40	240
FC-50 Ti											Titanium		
FC-65	65 (2-9/16")	44 (1-47/64")	35	4	22.5	4.2	8.0	8.0	12 (26 lbs)	34	304 Stainless Steel	30	180
FC-65 Ti											Titanium		

HOOK



KB-F-70



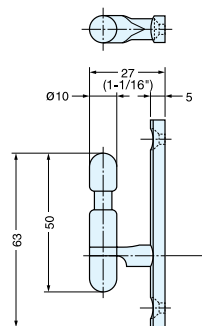
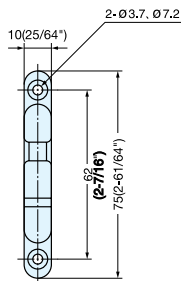
Item No.	Weight (g)	Box (pcs)	Carton (pcs)
KB-F-70	46	5	50

Part Name	Material	Finish
Mounting plate	304 Stainless Steel	Polished
Hook	303 Stainless Steel	

HOOK



KB-F-75



Item No.	Weight (g)	Box (pcs)	Carton (pcs)
KB-F-75	56	5	50

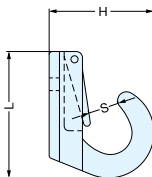
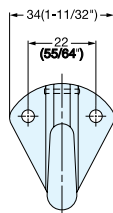
Part Name	Material	Finish
Mounting plate	304 Stainless Steel	Polished
Hook	303 Stainless Steel	

LATCH HOOK



WH

• Keep items hooked, ideal for vibration or shock applications.



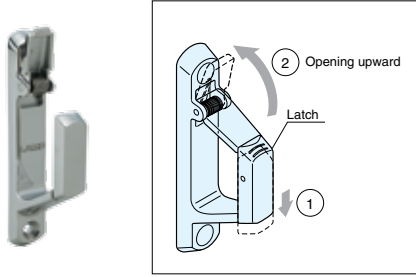
Item No.	L	H	S	Weight (g)	Box (pcs)	Carton (pcs)
WH-1	37 (1-29/64")	25 (63/64")	5	40	20	200
WH-2	41 (1-39/64")	34 (1-11/32")	11	55		

Material	Finish
304 Stainless Steel	Satin

LATCH HOOK



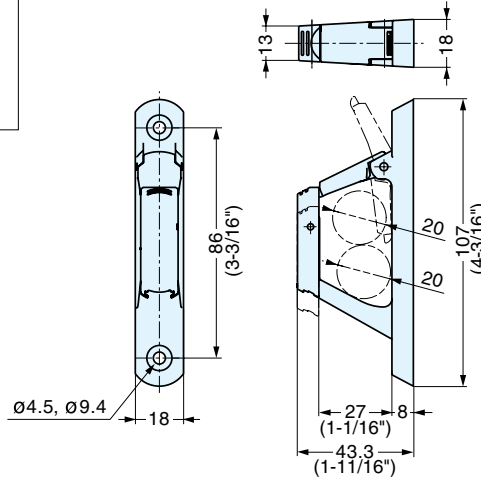
EN-E107



Upward opening position



Closed position Inward opening position



- Latch upward/downward opening.
- Upward latch opening allows increased hanging capacity.

Item No.	Load Capacity (kg)	Weight (g)	Box (pcs)	Carton (pcs)	Material	Finish
EN-E107	40 (88 lbs)	131	10	60	304 Stainless Steel	Polished

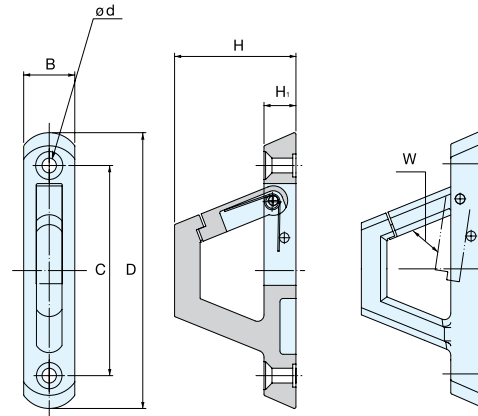
LATCH HOOK



EN-K



- Keeps items hooked, ideal for vibration or shock applications.



Material	Finish
316 Stainless Steel	Polished

Item No.	D	C	B	H	H ₁	d	W	Load Capacity (kg)		Weight (g)	Box (pcs)	Carton (pcs)
								Hook	Arm			
EN-K84	84 (3-5/16")	64 (2-33/64")	16 (5/8")	38 (1-1/2")	10 (25/64")	4.5, 8.5	Max.10	20 (44 lbs)	10 (22 lbs)	92	10	120
EN-K120	120 (4-23/32")	96 (3-25/32")	22 (7/8")	54 (2-1/8")	12 (15/32")	5.4, 10.5	Max.25	60 (132 lbs)		280		60

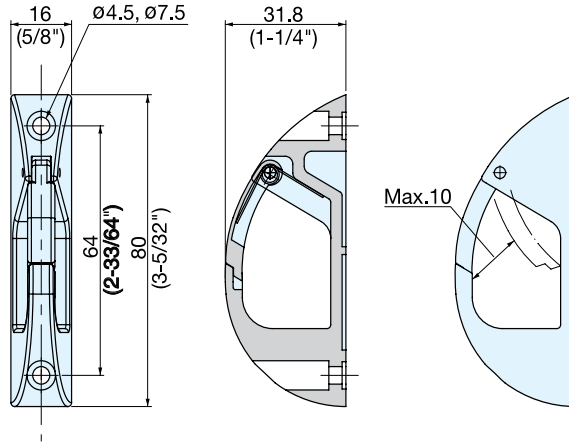
LATCH HOOK



EN-R80



- Keeps items hooked, ideal for vibration or shock applications.



Item No.	Load Capacity (kg)		Weight (g)	Box (pcs)	Carton (pcs)	Material	Finish
	Hook	Arm					
EN-R80	20 (44 lbs)	10 (22 lbs)	85	10	120	316 Stainless Steel	Polished

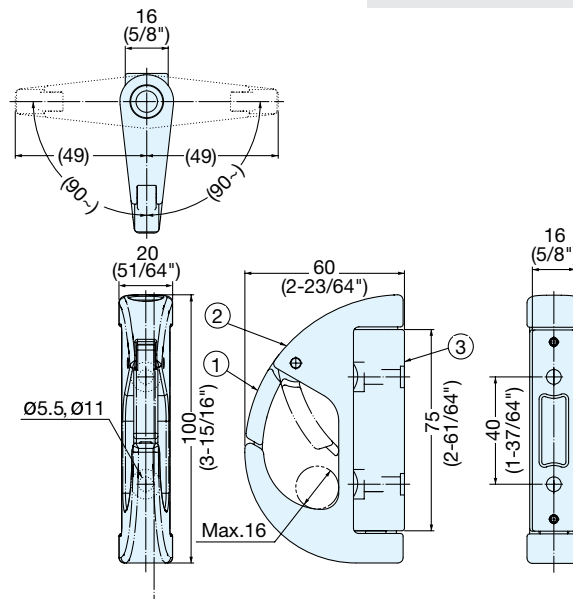
LATCH HOOK



EN-R100F



- Swivels 180 degrees.
- Keeps items hooked, ideal for vibration or shock applications.



Item No.	Load Capacity (kg)	Weight (g)	Box (pcs)	Carton (pcs)	Material	Finish
EN-R100-K	60 (132 lbs-in)	350	10	50	316 Stainless Steel	Polished

LATCH HOOK (W/PADLOCK HOLE)



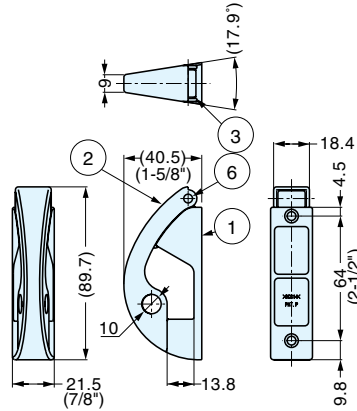
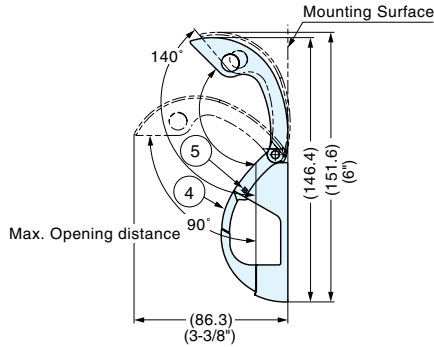
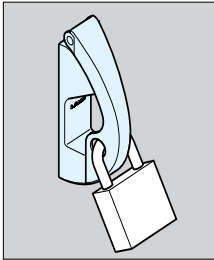
EN-R80-K



Closed



Open



- Keeps items hooked, ideal for vibration or shock applications.
- Can be used with padlock.

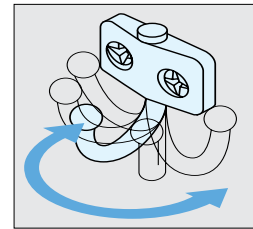
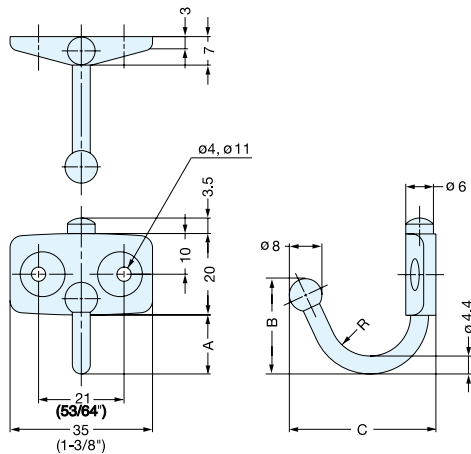
No.	Part Name	Material	Finish
①	Body	304 Stainless Steel	Mirror
②	Cover	316 Stainless Steel	
③	O ring	EPDM	Black
④	Lever	304 Stainless Steel	Mirror
⑤	Shaft	316 Stainless Steel	Plain
⑥	Shaft for cover		

Item No.	Load Capacity (kg)	Weight (g)	Box (pcs)	Carton (pcs)
EN-R80-K	20 (44 lbs)	180	10	60

SWING HOOK (W/FRICTION)



TK



- Swivels 180 degrees.
- Hook has constant torque when swiveling.
- Ideal for vibration or shock applications.

Material	Finish
304 Stainless Steel	Polished

Item No.	A	B	C	R	Load Capacity (kg)	Weight (g)	Box (pcs)	Carton (pcs)
TK-30F	14.5	23.4 (59/64")	36.0 (1-27/64")	10	12 (26 lbs)	17	100	1000
TK-45F	19.4	28.4 (1-1/8")	44.3 (1-3/4")	15	8 (17 lbs)	20		

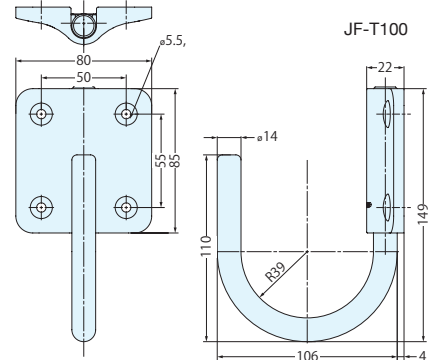
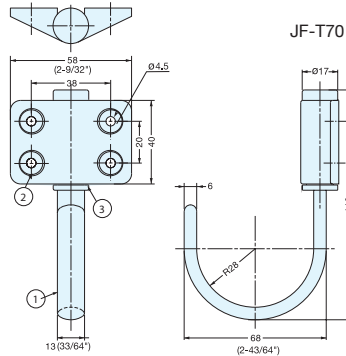
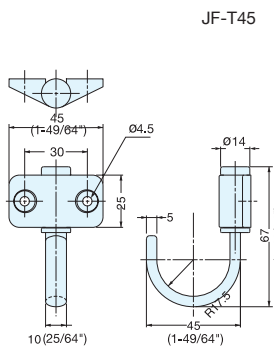
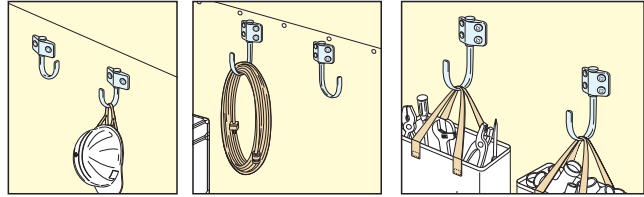
SWING HOOK (W/FRICTION)



JF-T



- Swivels 180 degrees.
- Hook has constant torque when swiveling.
- Ideal for vibration or shock applications.



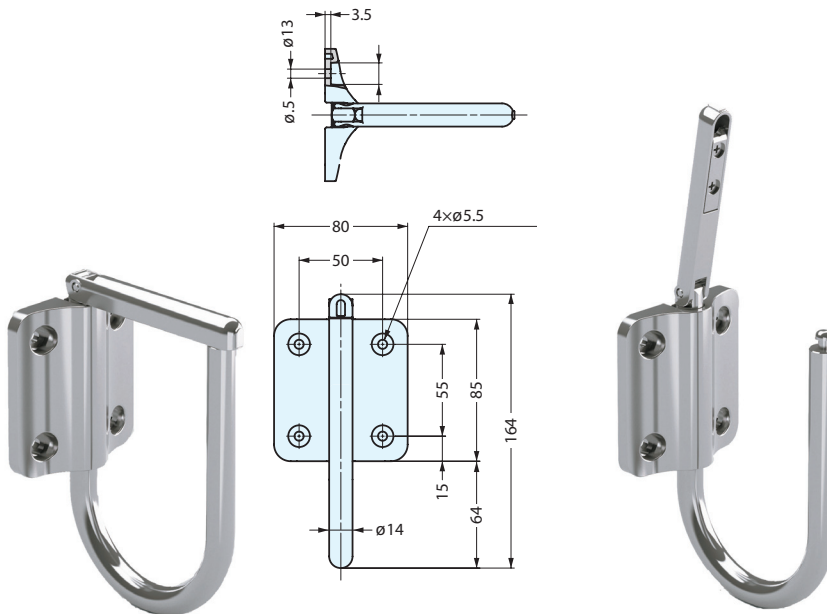
Item No.	Load Capacity (kg)	Weight (g)	Box (pcs)	Carton (pcs)
JF-T45	17 (37 lbs)	90	10	100
JF-T70		225		
JF-T100	40 (88 lbs)	638	5	20

No.	Part Name	Material	Finish/Color
①	Hook	304 Stainless Steel	Mirror
②	Mounting Plate		
③	Bushing	POM	Black

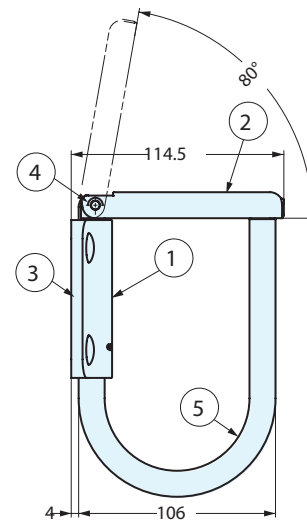
SWING LATCH HOOK (W/FRICTION)



JN-T100



- Swivels 180 degrees.
- Hook has constant torque when swiveling.
- Ideal for vibration or shock applications.



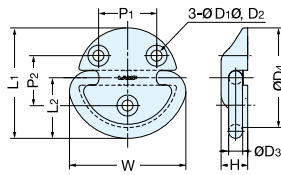
Item No.	Load Capacity (kg)	Weight (g)	Box (pcs)	Carton (pcs)
JN-T100	40 (88 lbs)	780	5	20

No.	Part Name	Material	Finish/Color
①	Mounting Plate	304 Stainless Steel	Mirror
②	Arm		
③	Back Plate	303 Stainless Steel	Plain
④	Shaft		
⑤	Hook		

HEAVY DUTY FOLDING PAD EYE



EY-R



Item No.	Weight (g)	Box (pcs)	Carton (pcs)
EY-R50	116	10	120
EY-R60	202	10	60
EY-R80	431	5	30

- Loop has constant torque, ideal for vibration or shock applications.
- Suitable for marine, RV or freight applications.

Material	Finish
Body: 316 Stainless Steel/Loop: 304 Stainless Steel	Plain

Item No.	L ₁	L ₂	W	P ₁	P ₂	H	ØD ₁	ØD ₂	ØD ₃	ØD ₄	Load Capacity (kg)	Load Capacity (lbs)
EY-R50	54.0 (2-1/8")	30.0 (1-3/16")	56.5 (2-7/32")	28	24	14.5	5.5	10.4	7.5	48	500	1103
EY-R60	66.5 (2-5/8")	36.5 (1-7/16")	70.0 (2-3/4")	35	30	16.0	6.6	12.6	8.5	60	800	1764
EY-R80	88.5 (3-31/64")	48.5 (1-29/32")	94.0 (3-45/64")	45	40	19.0	9.0	17.3	11.0	80	1200	2646

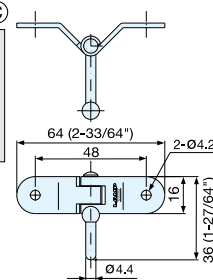
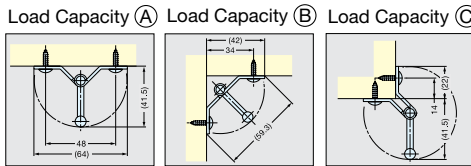
HOOKS

BUTTERFLY HOOKS / FOLDING PAD EYES

BUTTERFLY HOOK



TZ-360



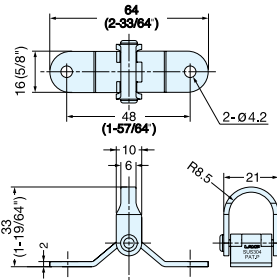
- Eyelet swivels for various installation applications.
- Hinged flap allows flush or corner mount.
- Applicable angle: 90° ~ 270°

Item No.	Load Capacity (A) (kg)	Load Capacity (B) (kg)	Load Capacity (C) (kg)	Weight (g)	Box (pcs)	Carton (pcs)	Material	Finish
TZ-360	6 (13 lbs)	5.6 (12 lbs)	3 (6 lbs)	27	50	500	304 Stainless Steel	Polished

BUTTERFLY HOOK



DZ-270



- Eyelet swivels for various installation applications.
- Hinged flap allows flush or corner mount.
- Applicable angle: 90° ~ 270°

Material	Finish
304 Stainless Steel	Polished

Item No.	Load Capacity (kg)	Weight (g)	Box (pcs)	Carton (pcs)
DZ-270	5.6 (12 lbs)	29	50	500

EYE HOOK

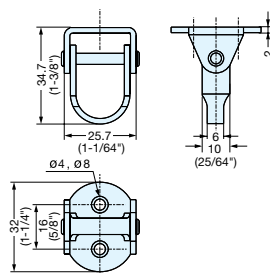


RF-D35



Horizontal

Vertical



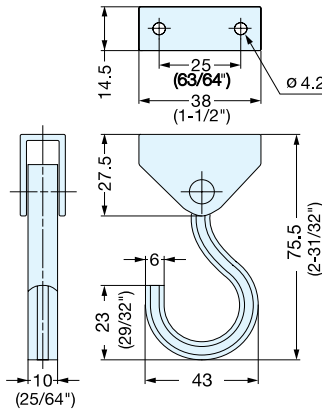
- Eyelet swivels for various installation applications.
- Can be mounted horizontally to walls or under-mounted for vertical applications.
- Includes 5/8" (M3.5 x 16) long screws.

Item No.	Load Capacity (kg)	Weight (g)	Box (pcs)	Carton (pcs)	Material	Finish
RF-D35	5.3 (11 lbs) / 10.6 (23 lbs)	27	50	400	304 Stainless Steel	Satin

SWING HOOK



XL-JSF40TT



• Vertical swivel allows for under mount applications.

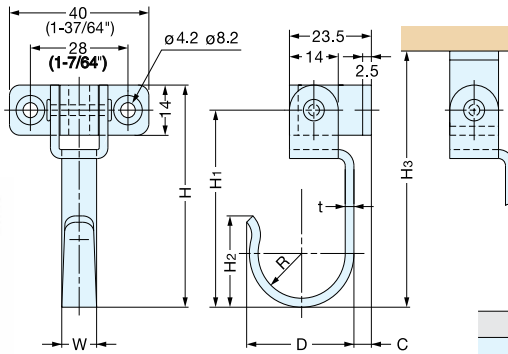
Item No.	Load Capacity (kg)	Weight (g)	Box (pcs)	Carton (pcs)
XL-JSF40TT	50 (110 lbs)	70	20	120

Part Name	Material	Finish
Hook	303 Stainless Steel	Mirror/Satin Combination
Bracket	304 Stainless Steel	

SWING HOOK



UC



• Vertical swivel allows for under mount applications.

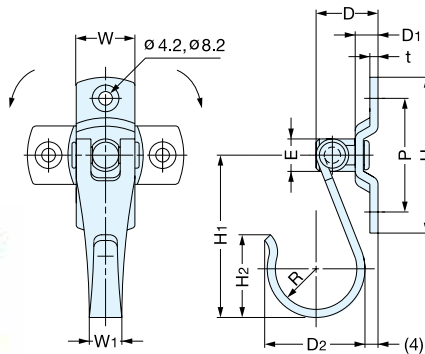
Material	Finish
304 Stainless Steel	Satin

Item No.	W	D	H	H ₁	H ₂	H ₃	C	R	t	Load Capacity (kg)	Weight (g)	Box (pcs)	Carton (pcs)
UC-048	9 (23/64")	24.9 (63/64")	55 (2-11/64")	48 (1-57/64")	21.4 (27/32")	64.5	6.5	10.0	2.0	5.6 (12 lbs)	37	40	400
UC-055	10 (25/64")	30.8 (1-7/32")	62 (2-7/16")	55 (2-11/64")	25.5 (57/64")	71.5	5.0	12.5	2.5	6.7 (14 lbs)	45	25	250

SWING HOOK



UJ



• Rotates 360° and swivels 180°.
• Can be mounted in various directions.

Material	Finish
304 Stainless Steel	Satin

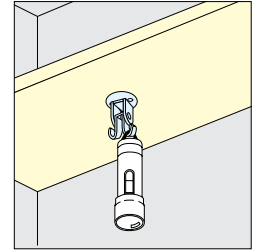
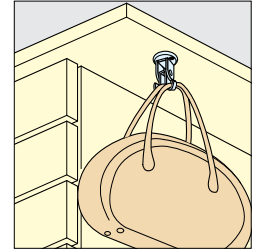
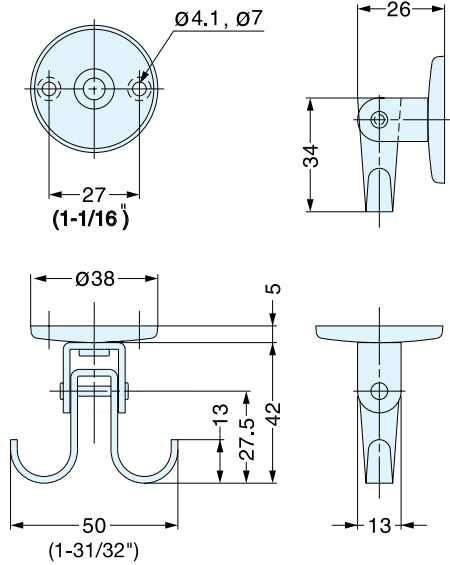
Item No.	W	W ₁	D	D ₁	D ₂	H	H ₁	H ₂	P	E	R	t	Load Capacity (kg)	Weight (g)	Box (pcs)	Carton (pcs)
UJ-040	16	9	16.5	5.5	24.9 (63/64")	42	40 (1-37/64")	21.4	30	ø9	10.0	2.0	6.7 (14 lbs)	27	50	500
UJ-050	18	10	19.0	7.0	30.8 (1-7/32")	48	50 (1-31/32")	25.5	35	ø10	12.5	2.5	8.9 (19 lbs)	45	30	300

ROTATING/SWING HOOK



RF-U50

- Rotates 360° and swings 180°.
- Can be mounted in various directions.



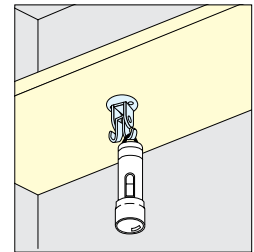
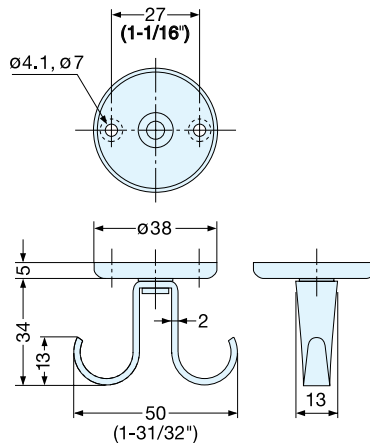
Item No.	Load Capacity (kg)	Weight (g)	Box (pcs)	Carton (pcs)	Material	Finish
RF-U50	6.1 (13 lbs)	40	25	250	304 Stainless Steel	Satin

ROTATING HOOK



RF-50

- Rotates 360°.
- Can be mounted in various directions.



Item No.	Load Capacity (kg)	Weight (g)	Box (pcs)	Carton (pcs)	Material	Finish
RF-50	3 (6 lbs)	33	25	500	304 Stainless Steel	Satin

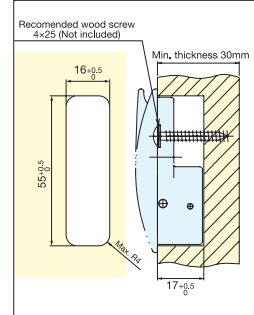
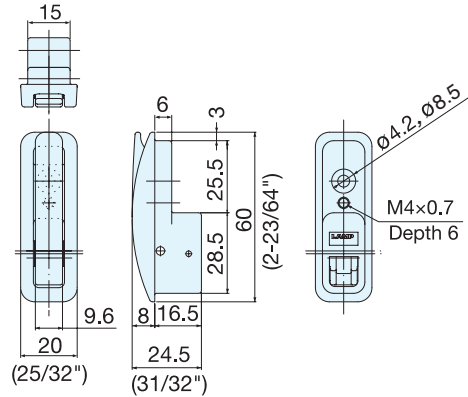
RECESSED HOOK



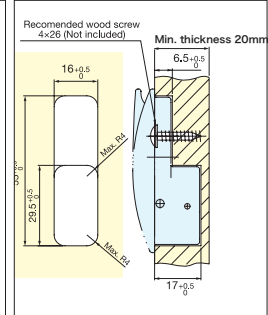
NF-60



- Hook is spring loaded to retract.
- Ideal for vibration or shock applications.
- Panel Thickness: - Wood: Min. 20 mm (25/32")
- Sheet metal: 0.8~1.6 mm with optional bracket NF-50, sold separately.



Bore Dimensions
(For thickness over 30 mm)



Bore Dimensions
(For thickness 20~29 mm)

Part Name	Material	Color
Body	Aluminum	Dark Grey
Pin/Spring	304 Stainless Steel	Plain
Rubber	Polychloroprene	Black

Item No.	Load Capacity (kg)	Weight (g)	Box (pcs)	Carton (pcs)
NF-60	20 (44 lbs)	31	10	200

RECESSED HOOK (W/SOFT CLOSE)



NF-60D

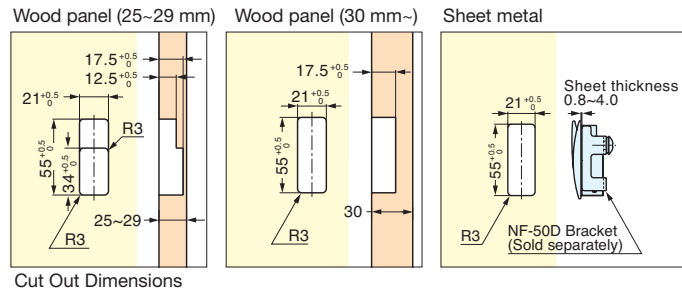
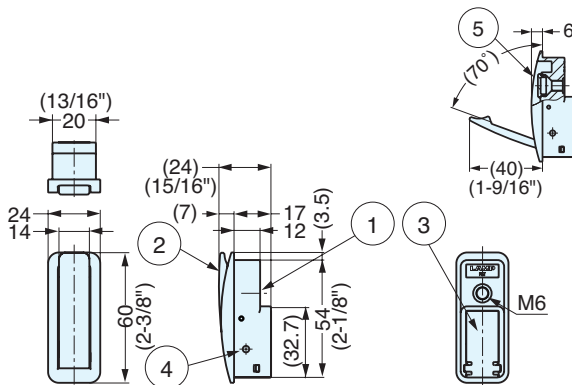


NF-60D/GR

NF-60D/SL

NF-60D/MSL

- Hook is spring loaded to retract and soft close.
- Ideal for vibration or shock applications.
- Panel Thickness: - Wood: Min. 25 mm (1")
- Sheet metal: 0.8~1.6 mm



No.	Part Name	Material	Finish
①	Body	Aluminum Alloy	Dark Grey/Silver
②	Arm		Metalic Silver
③	Cover	Polyacetal	Dark Grey
④	Pin	304 Stainless Steel	Plain
-	Spring		
⑤	Bumper	Rubber	Black

Item No.	Color	Load Capacity (kg)	Weight (g)	Box (pcs)	Carton (pcs)
NF-60D/GR	Dark Grey	30 (66 lbs)	49	10	200
NF-60D/SL	Silver				
NF-60D/MSL	Metalic Silver				

