

# Heavy-Duty Softness



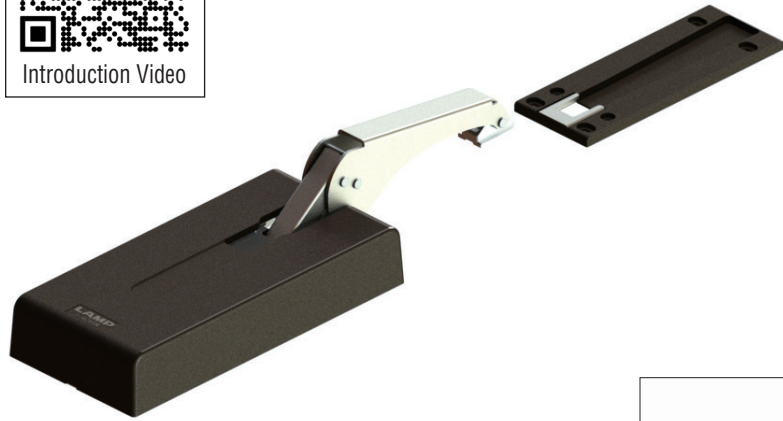
**SUGATSUNE**

Sugatsune America  
18101 Savarona Way,  
Carson, CA 90746



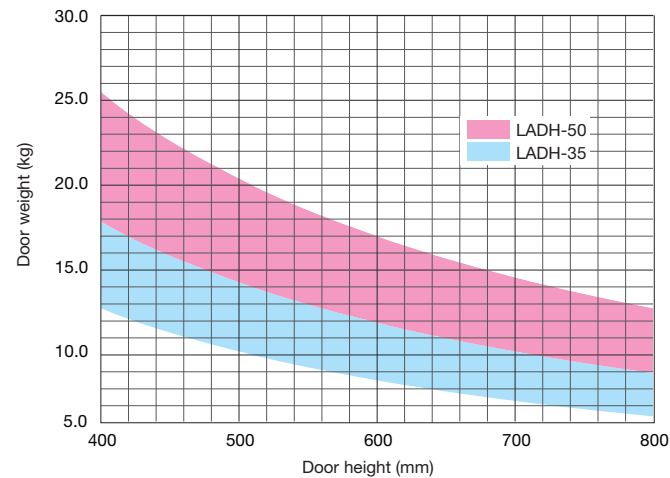
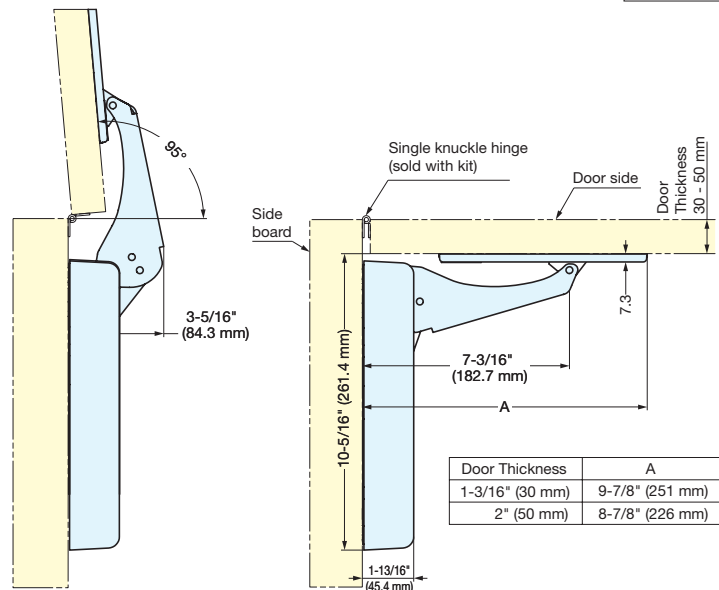
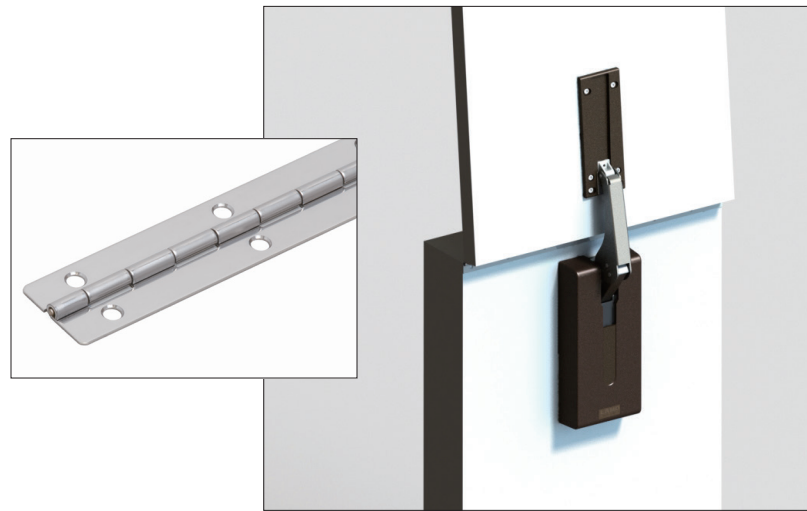
# Lift-Assist Damper (Heavy Duty)

# LADH

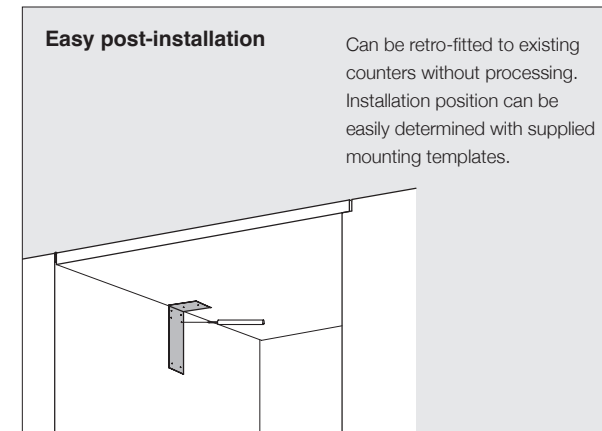
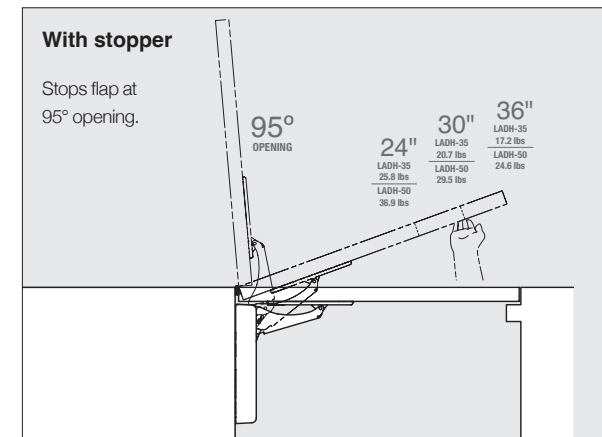
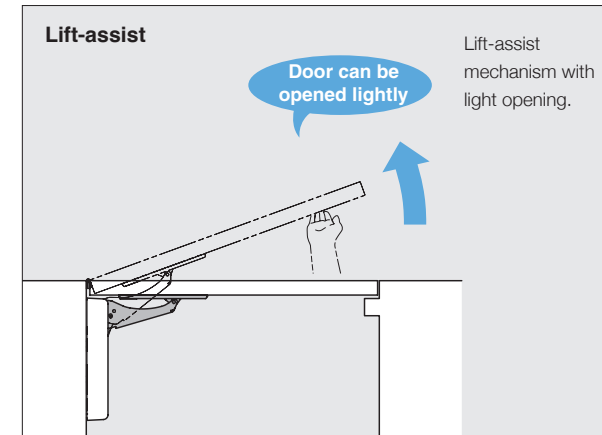
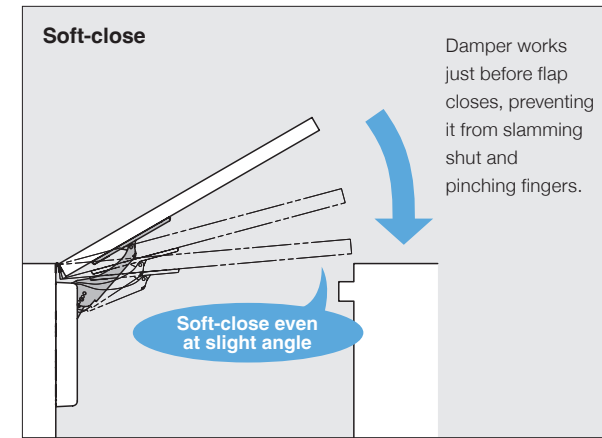


- Add a smooth soft-close to counter tops in restaurants, bars and reception desks to prevent slamming.
- Lift-Assist feature helps users lift countertop
- Holds door open at 95 degrees.
- Easy installation - surface mounted and can be retrofitted
- Stainless steel piano hinge included (see next page for details)

- Set includes Stainless Steel Piano hinge (LSN-C)
- Hinge can be cut down to desired length



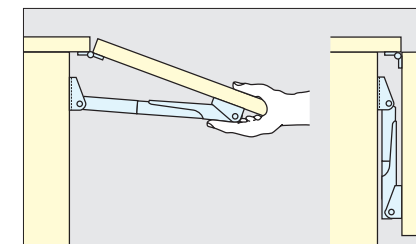
Item No.	Max. Torque per piece (lbs-in)	Panel Thickness	Wt (g)	Box (pcs)	Material	Finish
LADH-35	221 ~ 309	30~50 mm	2,000	1	Steel (SPCC)/ Polyacetal (POM)/ABS	Arm: Nickel Chrome Body: Dark Brown Other Parts: Nickel Plating
LADH-50	309 ~ 442	(1-3/16" ~ 2")				



# Folding Bracket 388



- Automatically locks when flap is in opened position.
- Press lever to release the lock.
- For panel thickness 15~35 mm (19/32"~1-3/8")
- Required Quantity:
  - Width up to 600 mm (23-5/8")/1 pc
  - Width 600~1300 mm (23-5/8"~51-3/16")/2 pcs



Material	Finish/Color
Aluminum	Anodized
	Black (BLK)

Item No.	A	B	C	D	E	Load Capacity
38820-25	25~30	161	15	114.0	180.0	77 lbs
38820-25/BLK						
38830-25	25~39	252	45	168.0	275.9	121 lbs
38830-25/BLK						
38845-25	25~50	402	87	258.5	430.8	132 lbs
38845-25/BLK						
38860-25	25~40	549	137	368.5	585.8	176 lbs
38860-25/BLK						

# Folding Bracket With Damper

# EB-303/EP-D

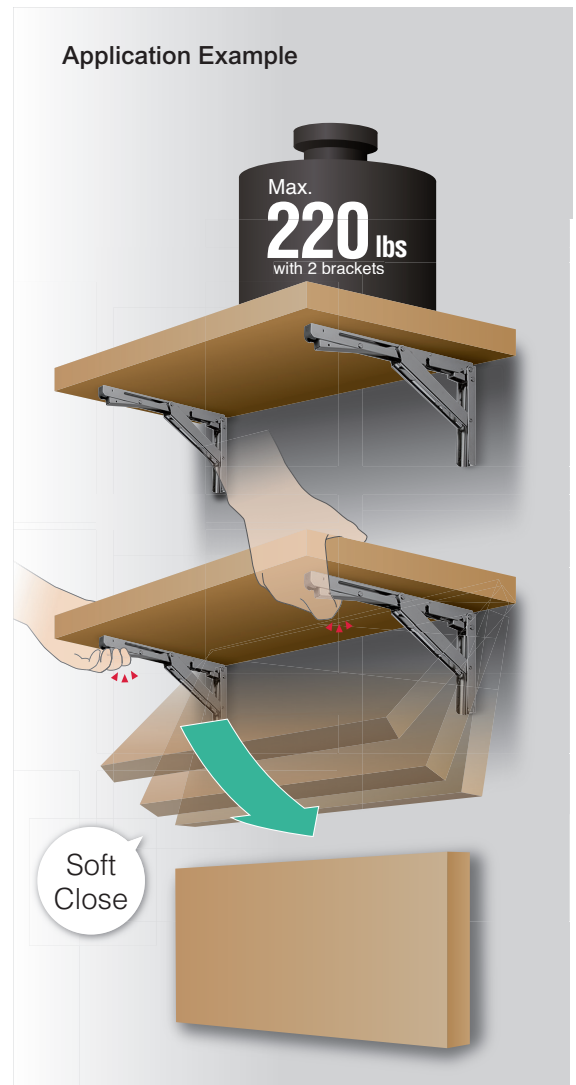
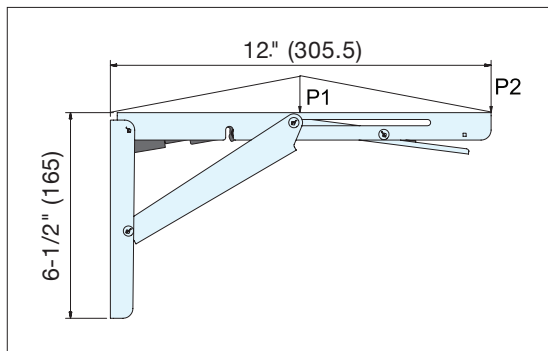


EB-303/EP-D



EB-303/EP-D-BL

- Automatically locks when flap is in open position.
- Press lever to release the lock.
- Hinges not required.
- Damper unit with a soft-closing feature which makes it smoother and safer.
- Durability tested 50,000 cycles (private).
- Refer to the Damper Weight Chart for damper weight capacity.



Item No.	Bracket Load Capacity P1	Bracket Load Capacity P2	Weight (g)	Carton (pcs)	Material
EB-303/EP-D	330 lbs	165 lbs	515	20	304 Stainless Steel
EB-303/EP-D-BL					