



DOOR HANDLES, KNOBS

DOOR HANDLES
LEVER HANDLES
SLIDING DOOR HANDLES
GLASS DOOR KNOBS

DOOR HANDLES (Back to Back)

Picture	Item No.		Center to Center	Page
	ZL-1501	 	12-19/32"~75-19/32"	4~5
	ZL-1502	 	7-9/16"~37-51/64"	6~7
	ZL-1506	 	7-9/16"~37-13/16"	8~9
	DSI-2000-20		7-7/8"~19-11/16"	11
	DSI-2000-30		9-7/8"~23-5/8"	11
	DSI-3310-15		5-29/32"~11-13/16"	12
	DSI-3310-20		7-7/8" ~ 11-13/16"	12
	DSI-3310-30		9-27/32"~23-5/8"	12
	DSI-3330-30		11-13/16"	12
	DSI-3330-50		19-11/16"	12
	DSI-4400-15		5-29/32"~11-13/16"	13
	DSI-4400-20		7-7/8"~11-13/16"	13
	DSI-4400-30		9-27/32"~23-5/8"	13
	DSI-1630		9-7/8"~23-5/8"	13

DOOR HANDLES (Back Screw Mount / Front Screw Mount)

Picture	Item No.		Center to Center	Page
	TBH-400		4-21/64"	14
	TBH-600		4-21/64"	14
	SBH-400		12-13/64"	14
	SBH-600		20-5/64"	14
	SBH-800		27-61/64"	14
	MDH		7-9/16"~47-1/4"	15
	MP (FRONT SCREW MOUNT)	 	18-17/64"~37-61/64"	16
	RH-760 (BACK SCREW MOUNT)	 	29-59/64"	16
	SSH (BACK SCREW MOUNT)		12-7/16"~28-3/16"	17
	SOR (BACK SCREW MOUNT)		13-3/16"~27-61/64"	17
	SRH (BACK SCREW MOUNT)		5-1/16"~14-3/16"	17.1
	SLH (BACK SCREW MOUNT)		13-25/32"~29-17/32"	17.2
	ALH (BACK SCREW MOUNT)		Length: 1-31/32"~39-3/8"	17.3

SLIDING DOOR HANDLES/PULLS

Picture	Item No.		Page
	DSI-4251	STAINLESS 304 STEEL	18
	DSI-4253	STAINLESS 304 STEEL	19
	DSI-3250	BRASS STAINLESS 304 STEEL	19
	DSI-4275	STAINLESS 304 STEEL	19.1
	DSI-4258	STAINLESS 304 STEEL	19.1
	DSI-4501	STAINLESS 304 STEEL	19.2
	DSI-4502	STAINLESS 304 STEEL	19.2
	DSI-4503	STAINLESS 304 STEEL	19.3
	DSI-4504	STAINLESS 304 STEEL	19.3
	DSI-3010	STAINLESS 304 STEEL	20
	DSI-3020	STAINLESS 304 STEEL	21
	DSI-4020	STAINLESS 304 STEEL	21
	DSI-4040	STAINLESS 304 STEEL	21

GLASS DOOR KNOBS AND PULLS (Back to Back)

Picture	Item No.		Page
	ZL-1503	RoHS STAINLESS 316 STEEL	22
	ZL-1504	RoHS STAINLESS 316 STEEL	23
	ZL-1505	RoHS STAINLESS 316 STEEL	23

LEVER HANDLES AND ACCESSORIES

Picture	Item No.		Page
	ZL-1101	STAINLESS 316 STEEL	24
	ZL-1102	STAINLESS 316 STEEL	24
	ZL-1103	STAINLESS 316 STEEL	25
	ZL-1601 (GLASS DOOR LATCH)	STAINLESS 316 STEEL	25
	ZL-1202 (ESCUTCHEON)	STAINLESS 316 STEEL	26
	ZL-1301-INR (INDICATOR)	STAINLESS 316 STEEL	26
	ZL-1302 (INDICATOR)	STAINLESS 316 STEEL	26
	ZL-1401-SMR (THUMBTURN)	STAINLESS 316 STEEL	27
	ZL-1402 (THUMBTURN)	STAINLESS 316 STEEL	27
	ZL-1403 (THUMBTURN KNOB)	STAINLESS 316 STEEL	27



ZL-1506

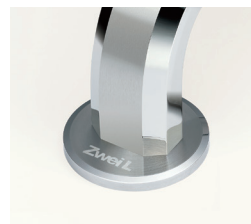
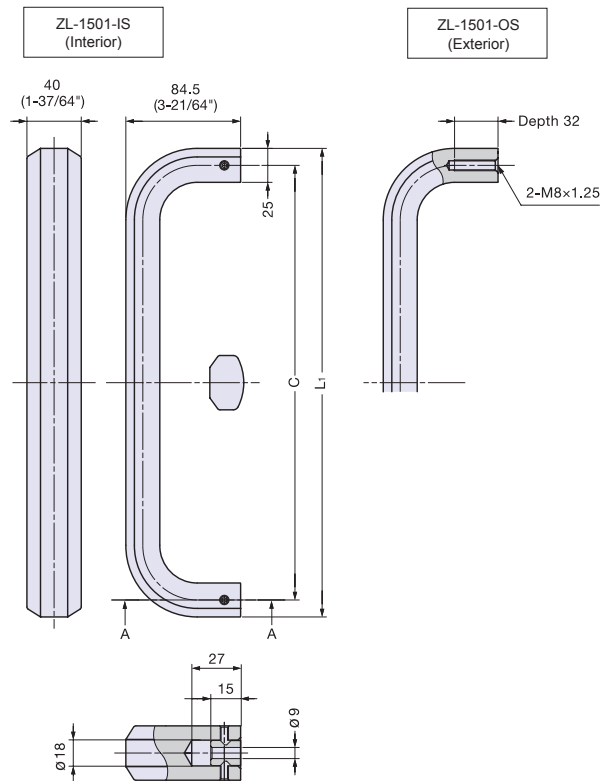


DSI-4251

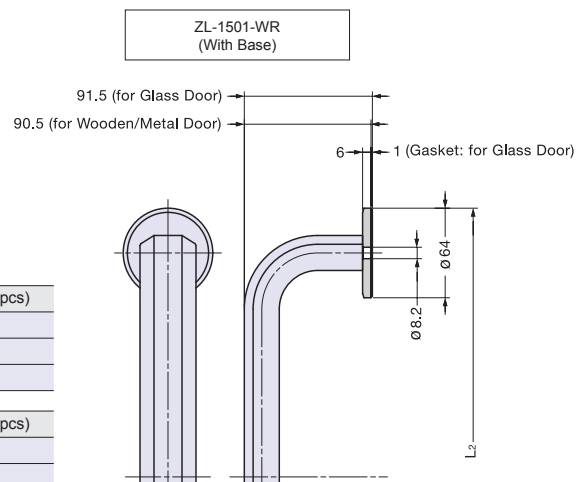
DSI-4020



- Can be installed on Glass Door, Wooden or Metal Frame Door.
- Tolerance of screw pitch is ± 1 mm.
- Only ZL-1501-WR comes with base (ZL1501-R).
- Order base ZL1501-R separately if baseplate needed for Exterior or Interior type.



ZL-1501-WR

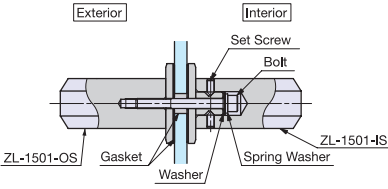
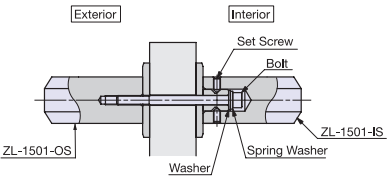
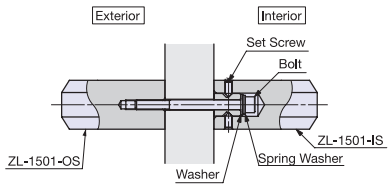
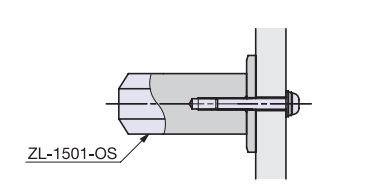
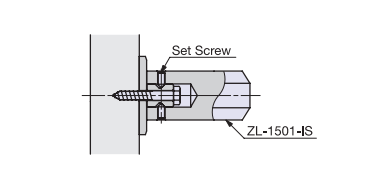
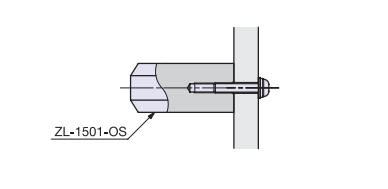
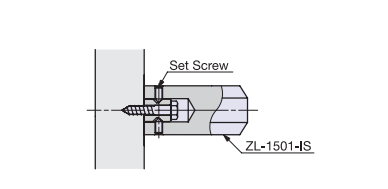
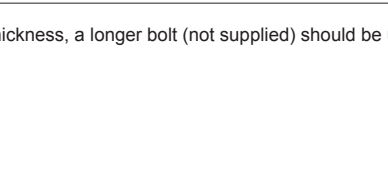


Item No.	Weight (g)	Box (pcs)	Item No.	Weight (g)	Box (pcs)
ZL-1501-IS-320	3103	1	ZL-1501-OS-320	3103	1
ZL-1501-IS-640	5500	1	ZL-1501-OS-640	5500	1
ZL-1501-IS-960	8000	1	ZL-1501-OS-960	8000	1

Item No.	Weight (g)	Box (pcs)	Item No.	Weight (g)	Box (pcs)
ZL-1501-WN-320	6471	1	ZL-1501-WR-320	6783	1
ZL-1501-WN-640	11265	1	ZL-1501-WR-640	11577	1
ZL-1501-WN-960	16265	1	ZL-1501-WR-960	16577	1

Item No.				Material	Finish/Color	Dimensions		
Exterior	Interior	Back-to-Back	Back-to-Back with Base			C	L ₁	L ₂
ZL-1501-OS-320	ZL-1501-IS-320	ZL-1501-WN-320	ZL-1501-WR-320	316 Stainless Steel	Zwei L	320 (12-19/32")	345 (13-37/64")	384
ZL-1501-OS-640	ZL-1501-IS-640	ZL-1501-WN-640	ZL-1501-WR-640			640 (25-13/64")	665 (26-3/16")	704
ZL-1501-OS-960	ZL-1501-IS-960	ZL-1501-WN-960	ZL-1501-WR-960			960 (37-51/64")	985 (38-25/32")	1024
*ZL-1501-OS-1280	*ZL-1501-IS-1280	*ZL-1501-WN-1280	*ZL-1501-WR-1280			1280 (50-25/64")	1305 (51-3/8")	1344
*ZL-1501-OS-1600	*ZL-1501-IS-1600	*ZL-1501-WN-1600	*ZL-1501-WR-1600			1600 (62-63/64")	1625 (63-31/32")	1664
*ZL-1501-OS-1920	*ZL-1501-IS-1920	*ZL-1501-WN-1920	*ZL-1501-WR-1920			1920 (75-19/32")	1945 (76-37/64")	1984

*Length over 960 are special order item.

Working Diagram		Door Thickness (mm)	Door Hole (mm)	Item No.	
Back-to-Back on Glass Door	With Base Plate		6~16 (15/64"~5/8")	ø 16 (5/8")	ZL-1501-WR
	Without Base Plate		25~45 (63/64"~1-49/64")	ø 9 (23/64")	ZL-1501-WR
Back-to-Back on Wooden/Metal Frame Door	With Base Plate		37~57 (1-29/64"~2-1/4")	ø 9 (23/64")	ZL-1501-WN
	Without Base Plate				
Single use on Wooden/Metal Frame Door	With Base Plate		Screws not included Base Plate (ZL-1501-R) sold separately	ø 9 (23/64")	ZL-1501-OS ZL-1501-R
				-	ZL-1501-IS ZL-1501-R
	Without Base Plate		ø 9 (23/64")	ZL-1501-OS	
			-	ZL-1501-IS	

*If door thickness exceeds recommended thickness, a longer bolt (not supplied) should be used.

Zwei L Door Handle

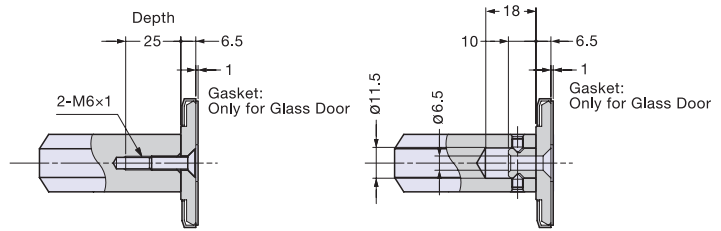
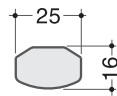
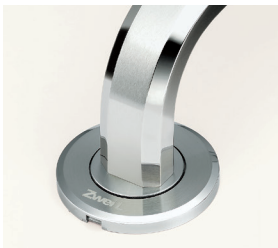
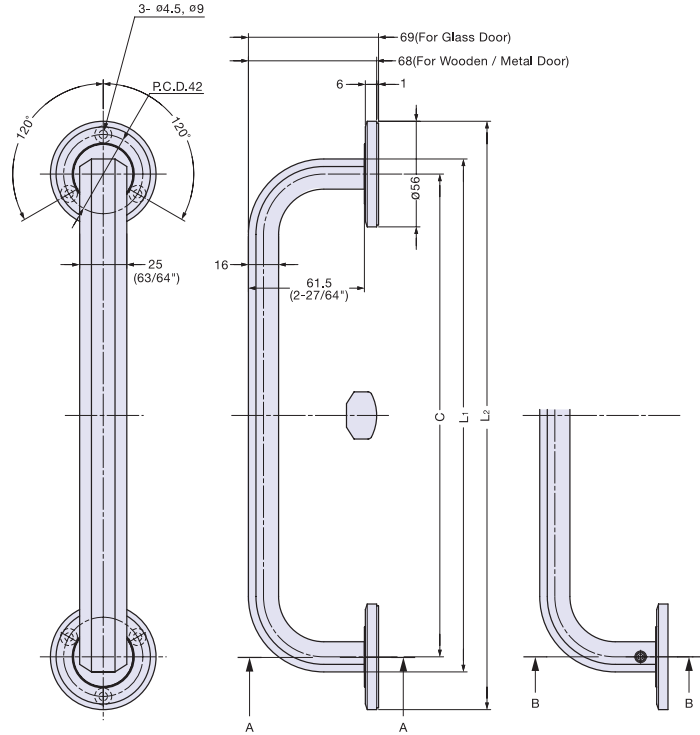


ZL-1502

HANDLES

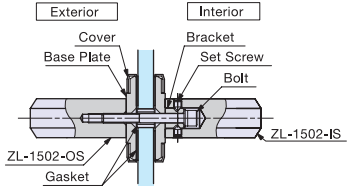
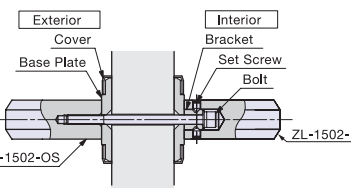
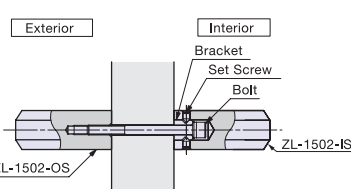
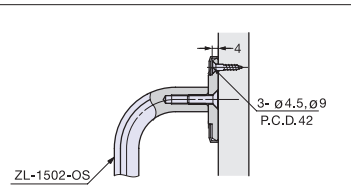
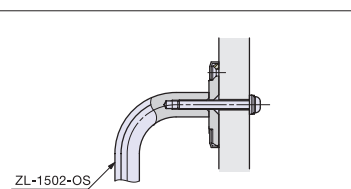
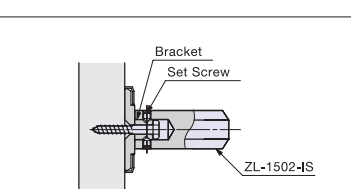
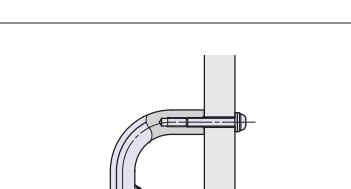
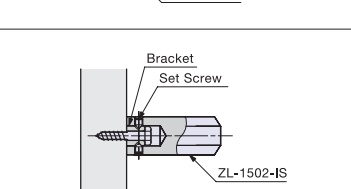
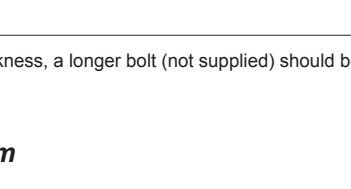
Zwei L DOOR HANDLES

- Can be installed on Glass Door, Wooden or Metal Frame Door.
- Tolerance of screw pitch is ± 1 mm.
- Base Plate included.

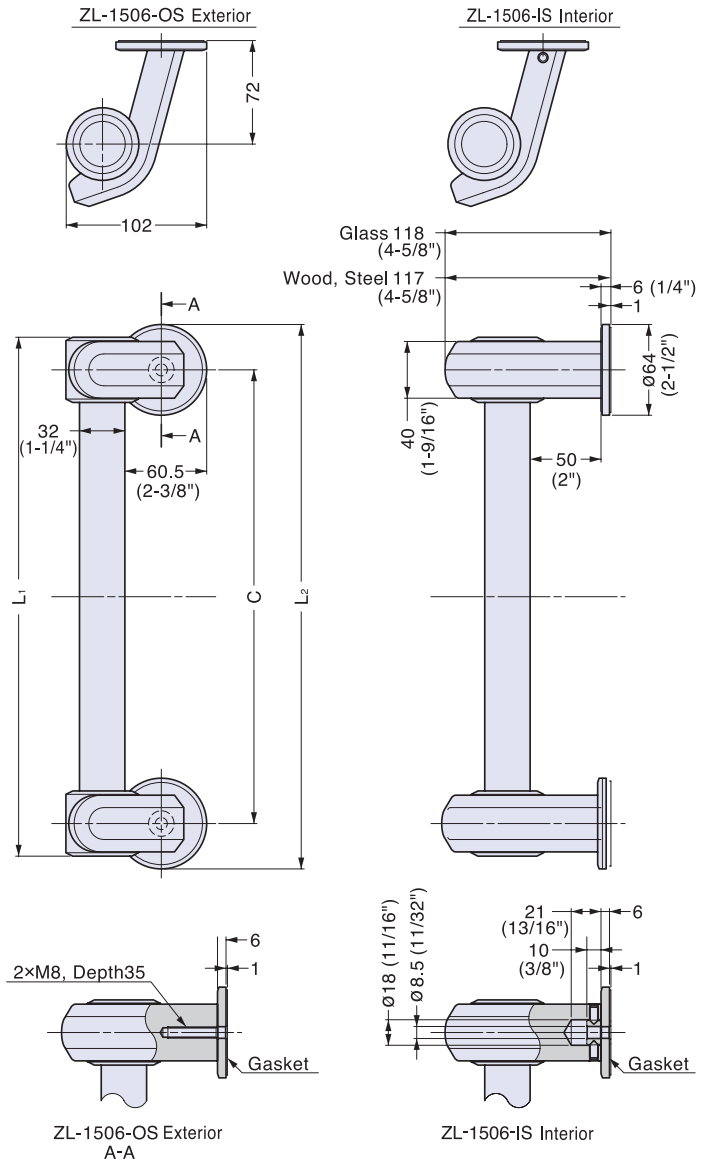


Item No.	Weight (g)	Box (pcs)	Item No.	Weight (g)	Box (pcs)	Item No.	Weight (g)	Box (pcs)
ZL-1502-IS-192	1081	1	ZL-1502-OS-192	1081	1	ZL-1502-WR-192	2297	1
ZL-1502-IS-320	1499	1	ZL-1502-OS-320	1499	1	ZL-1502-WR-320	3133	1
ZL-1502-IS-640	2530	1	ZL-1502-OS-640	2530	1	ZL-1502-WR-640	5195	1
ZL-1502-IS-960	3600	1	ZL-1502-OS-960	3600	1	ZL-1502-WR-960	7335	1

Item No.			Material	Finish/Color	Dimensions		
Exterior	Interior	Back-to-Back			C	L ₁	L ₂
ZL-1502-OS-192	ZL-1502-IS-192	ZL-1502-WR-192	316 Stainless Steel	Zwei L	192 (7-9/16")	208 (8-3/16")	248
ZL-1502-OS-320	ZL-1502-IS-320	ZL-1502-WR-320			320 (12-19/32")	336 (13-15/64")	376
ZL-1502-OS-640	ZL-1502-IS-640	ZL-1502-WR-640			640 (25-13/64")	656 (25-53/64")	696
ZL-1502-OS-960	ZL-1502-IS-960	ZL-1502-WR-960			960 (37-51/64")	976 (38-27/64")	1016

Working Diagram		Door Thickness (mm)	Door Hole (mm)	Item No.		
Back-to-Back on Glass Door	With Base Plate		6~12 (15/64"~15/32")	ø 12 (15/32")	ZL-1502-WR	
	Without Base Plate		40~52 (1-37/64"~2-15/32")	ø 7 (9/32")	ZL-1502-WR	
Back-to-Back on Wooden/Metal Frame Door	With Base Plate		38~50 (1-1/2"~1-31/32")	ø 7 (9/32")	ZL-1502-WR	
	Without Base Plate					
Single use on Wooden/Metal Frame Door	With Base Plate			-	ZL-1502-OS	
				ø 7 (9/32")	ZL-1502-OS	
	Without Base Plate			Screws not included	-	ZL-1502-IS
					ø 7 (9/32")	ZL-1502-OS
					-	ZL-1502-IS

*If door thickness exceeds recommended thickness, a longer bolt (not supplied) should be used.



Item No.			Material	Finish/Color	L ₁	L ₂	C
Exterior	Interior	Back-to-Back					
ZL-1506-OS-192	ZL-1506-IS-192	ZL-1506-WR-192	316 Stainless Steel	Zwei L	237 (9-5/16")	256 (10-1/16")	192 (7-9/16")
ZL-1506-OS-320	ZL-1506-IS-320	ZL-1506-WR-320			365 (14-3/8")	384 (15-1/8")	320 (12-5/8")
ZL-1506-OS-640	ZL-1506-IS-640	ZL-1506-WR-640			685 (27")	704 (27-3/4")	640 (25-3/8")
ZL-1506-OS-960	ZL-1506-IS-960	ZL-1506-WR-960			1005 (39-9/16")	1024 (40-5/16")	960 (37-13/16")

Working Diagram		Door Thickness (mm)	Door Hole (mm)	Item No.	
Back-to-Back on Glass Door	With Base Plate		6~15 (15/64"~5/8")	ø 16 (5/8")	ZL-1506-WR
	Without Base Plate		25~45 (63/64"~1-49/64")	ø 9 (23/64")	ZL-1506-WR
Back-to-Back on Wooden/Metal Frame Door	With Base Plate		37~57 (1-29/64"~2-1/4")	ø 9 (23/64")	ZL-1506-WR
	Without Base Plate				
Single use on Wooden/Metal Frame Door	With Base Plate		Screws not included	ø 9 (23/64")	ZL-1506-OS
				-	ZL-1506-IS
	Without Base Plate			ø 9 (23/64")	ZL-1506-OS
				-	ZL-1506-IS

*If door thickness exceeds recommended thickness, a longer bolt (not supplied) should be used.

DOOR HANDLES AND APPLIANCE PULLS

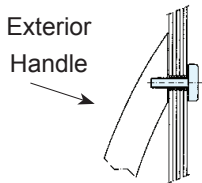
HANDLES

DOOR HANDLES AND APPLIANCE PULLS



Mounting Kit for DSI Series Door Handles

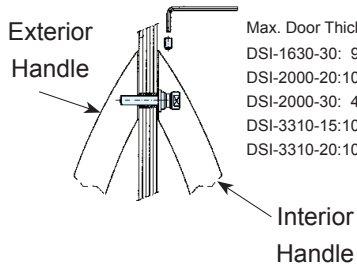
Single handle installation kit for wood/glass/metal doors



Max. Door Thickness:
 DSI-1630-30: 100 mm (4") DSI-3310-30: 60 mm (2-3/8")
 DSI-2000-20: 80 mm (3-3/16") DSI-3330-30: 100 mm (4")
 DSI-2000-30: 80 mm (3-3/16") DSI-4400-15: 60 mm (2-3/8")
 DSI-3310-15: 60 mm (2-3/8") DSI-4400-20: 60 mm (2-3/8")
 DSI-3310-20: 60 mm (2-3/8") DSI-4400-30: 60 mm (2-3/8")

Item No.	For use with
DKIT-2/15-1	DSI-3310-15
DKIT-2/15-2	DSI-4400-15
DKIT-2/20-1	DSI-2000-20/DSI-3310-20
DKIT-2/20-2	DSI-4400-20
DKIT-2/30-1	DSI-1630-30/DSI-2000-30/DSI-3310-30/DSI-3330-30
DKIT-2/30-2	DSI-4400-30

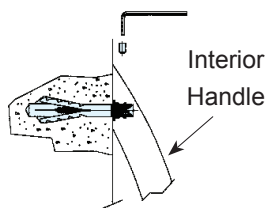
Back-to-back handle installation kit for wood/glass/metal doors



Max. Door Thickness:
 DSI-1630-30: 90 mm (3-1/2") DSI-3310-30: 100 mm (4")
 DSI-2000-20: 100 mm (4") DSI-3330-30: 100 mm (4")
 DSI-2000-30: 45 mm (1-3/4") DSI-4400-15: 100 mm (4")
 DSI-3310-15: 100 mm (4") DSI-4400-20: 100 mm (4")
 DSI-3310-20: 100 mm (4") DSI-4400-30: 100 mm (4")

Item No.	For use with
DKIT-4/15-1	DSI-3310-15
DKIT-4/15-2	DSI-4400-15
DKIT-4/20-1	DSI-2000-20/DSI-3310-20
DKIT-4/20-2	DSI-4400-20
DKIT-4/30-1	DSI-1630-30/DSI-2000-30/DSI-3310-30/DSI-3330-30
DKIT-4/30-2	DSI-4400-30

Single handle installation for concrete walls



Item No.	For use with
DKIT-5/15	DSI-3310-15/DSI-4400-15
DKIT-5/20	DSI-2000-20/DSI-3310-20/DSI-4400-20
DKIT-5/30	DSI-1630-30/DSI-2000-30/DSI-3310-30/DSI-3330-30/DSI-4400-30

DOOR HANDLE

STAINLESS
304
STEEL

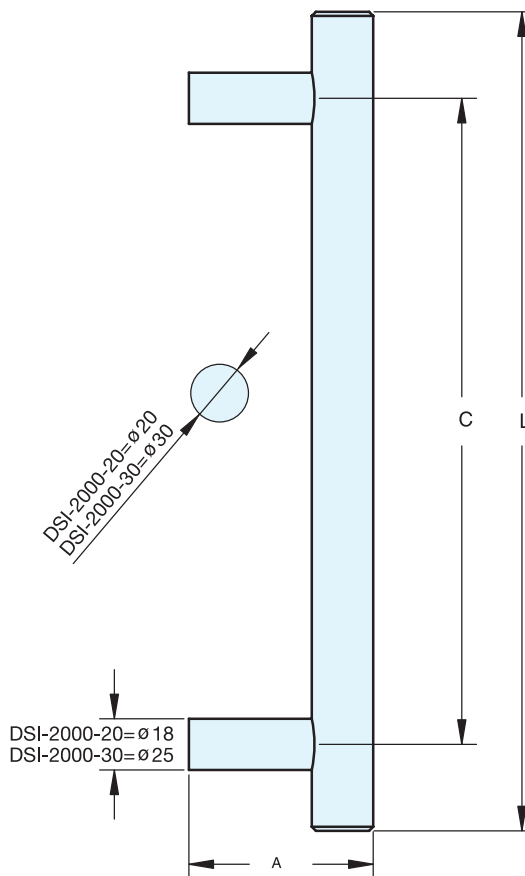
DSI-2000

HANDLES

DOOR HANDLES



- For use with DSI mounting kits (sold separately, See P.10).
- Please specify Interior/Exterior type when ordering:
 - Posts for Exterior handles are threaded to accept screws.
 - Posts for Interior handles have set screws for DSI mounting kits.
- Similar style to 26 and 28 series cabinet handles. (P.37)



Material	Finish
304 Stainless Steel	Satin

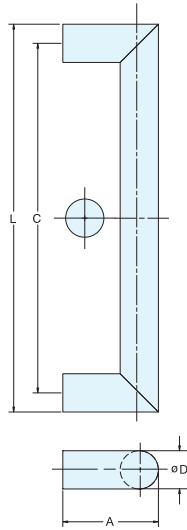
Item No.		L	C	A	Weight (kg)		Box (pcs)	Carton (pcs)
Interior	Exterior				Interior	Exterior		
DSI-2000-20-20I	DSI-2000-20-20E	300 (11-13/16")	200 (7-7/8")	65 (2-9/16")	0.89 (1.9 lbs)	0.89 (1.9 lbs)	2	10
DSI-2000-20-25I	DSI-2000-20-25E	400 (15-3/4")	250 (9-7/8")		1.11 (2.4 lbs)	1.11 (2.4 lbs)		
DSI-2000-20-30I	DSI-2000-20-30E	450 (17-3/4")	300 (11-13/16")		1.26 (2.8 lbs)	1.26 (2.8 lbs)		
DSI-2000-20-50I	DSI-2000-20-50E	700 (27-9/16")	500 (19-11/16")		0.54 (1.2 lbs)	0.54 (1.2 lbs)		

Item No.		L	C	A	Weight (kg)		Box (pcs)	Carton (pcs)
Interior	Exterior				Interior	Exterior		
DSI-2000-30-25I	DSI-2000-30-25E	550 (21-5/8")	250 (9-7/8")	90 (3-9/16")	1.34 (3.0 lbs)	1.11 (2.4 lbs)	2	10
DSI-2000-30-35I	DSI-2000-30-35E	650 (25-9/16")	350 (13-3/4")		1.22 (2.7 lbs)	1.20 (2.8 lbs)		
DSI-2000-30-45I	DSI-2000-30-45E	750 (29-1/2")	450 (17-3/4")		1.34 (3.0 lbs)	1.29 (2.8 lbs)		
DSI-2000-30-60I	DSI-2000-30-60E	900 (35-7/16")	600 (23-5/8")		1.50 (3.0 lbs)	1.50 (3.0 lbs)		

DOOR HANDLE

STAINLESS
304
STEEL

DSI-3310



- For use with DSI mounting kits (sold separately, See P.10).
- Please specify Interior/Exterior type when ordering:
 - Posts for Exterior handles are threaded to accept screws.
 - Posts for Interior handles have set screws for DSI mounting kits.
- Similar style to DIH series cabinet handles. (P.36)

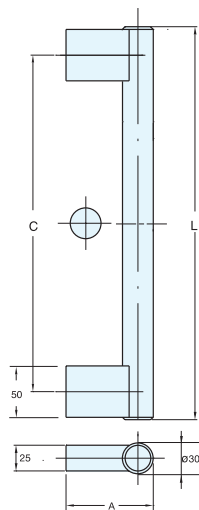
Material	Finish
304 Stainless Steel	Satin

Item No.		D	L	C	A	Weight (kg)		Box (pcs)	Carton (pcs)
Interior	Exterior					Interior	Exterior		
DSI-3310-15-15I	DSI-3310-15-15E	15	165 (6-1/2")	150 (5-29/32")	55 (2-3/16")	0.32 (0.7 lbs)	0.32 (0.7 lbs)	1	10
DSI-3310-15-20I	DSI-3310-15-20E		215 (8-1/2")	200 (7-7/8")		0.39 (0.9 lbs)	0.40 (0.9 lbs)		
DSI-3310-15-30I	DSI-3310-15-30E		315 (12-3/8")	300 (11-13/16")		0.52 (1.1 lbs)	0.54 (1.2 lbs)		
DSI-3310-20-20I	DSI-3310-20-20E	20	220 (8-11/16")	200 (7-7/8")	65 (2-9/16")	0.16 (0.4 lbs)	0.18 (0.4 lbs)		
DSI-3310-20-25I	DSI-3310-20-25E		270 (10-5/8")	250 (9-27/32")		0.18 (0.4 lbs)	0.20 (0.4 lbs)		
DSI-3310-20-30I	DSI-3310-20-30E		320 (12-5/8")	300 (11-13/16")		0.20 (0.4 lbs)	0.23 (0.5 lbs)		
DSI-3310-30-25I	DSI-3310-30-25E	30	280 (11")	250 (9-27/32")	90 (3-9/16")	0.48 (1.1 lbs)	0.48 (1.1 lbs)		
DSI-3310-30-30I	DSI-3310-30-30E		330 (12")	300 (11-13/16")		0.52 (1.1 lbs)	0.52 (1.1 lbs)		
DSI-3310-30-35I	DSI-3310-30-35E		380 (14-15/16")	350 (13-25/32")		0.59 (1.3 lbs)	0.57 (1.3 lbs)		
DSI-3310-30-60I	DSI-3310-30-60E		630 (24-13/16")	600 (23-5/8")		0.95 (2.1 lbs)	0.95 (2.1 lbs)		

DOOR HANDLE

STAINLESS
304
STEEL

DSI-3330



- For use with DSI mounting kits (sold separately, See P.10).
- Please specify Interior/Exterior type when ordering:
 - Posts for Exterior handles are threaded to accept screws.
 - Posts for Interior handles have set screws for DSI mounting kits.
- Similar style to 16 and 27 series cabinet handles. (P.36)

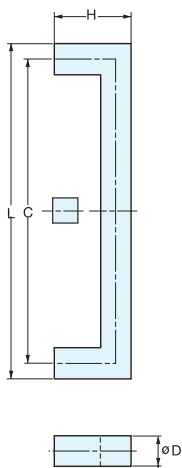
Material	Finish
304 Stainless Steel	Satin

Item No.		L	C	A	Weight (kg)		Box (pcs)	Carton (pcs)
Interior	Exterior				Interior	Exterior		
DSI-3330-30-30I	DSI-3330-30-30E	350	300 (11-13/16")	90 (3-9/16")	1.49 (3.3 lbs)	1.57 (3.5 lbs)	1	10
DSI-3330-30-50I	DSI-3330-30-50E	550	500 (19-11/16")		1.70 (3.7 lbs)	1.70 (3.7 lbs)		

DOOR HANDLE



DSI-4400



- For use with DSI mounting kits (sold separately, See P.10).
- Please specify Interior/Exterior type when ordering:
 - Posts for Exterior handles are threaded to accept screws.
 - Posts for Interior handles have set screws for DSI mounting kits.
- Similar style to KPH series cabinet handles. (P.45)

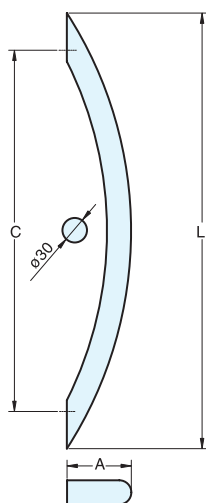
Material	Finish
304 Stainless Steel	Satin

Item No.		D	L	C	H	Weight (kg)		Box (pcs)	Carton (pcs)
Interior	Exterior					Interior	Exterior		
DSI-4400-15-15I	DSI-4400-15-15E	15	165 (6-1/2")	150 (5-29/32")	55 (2-3/16")	0.41 (0.9 lbs)	0.42 (0.9 lbs)	1	10
DSI-4400-15-20I	DSI-4400-15-20E		215 (8-1/2")	200 (7-7/8")		0.48 (1.1 lbs)	0.50 (1.1 lbs)		
DSI-4400-15-30I	DSI-4400-15-30E		315 (12-3/8")	300 (11-13/16")		0.67 (1.5 lbs)	0.68 (1.5 lbs)		
DSI-4400-20-20I	DSI-4400-20-20E	20	220 (8-11/16")	200 (7-7/8")	65 (2-9/16")	0.18 (0.4 lbs)	0.23 (0.5 lbs)		
DSI-4400-20-25I	DSI-4400-20-25E		270 (10-5/8")	250 (9-27/32")		0.22 (0.5 lbs)	0.24 (0.5 lbs)		
DSI-4400-20-30I	DSI-4400-20-30E		320 (12-5/8")	300 (11-13/16")		0.26 (0.6 lbs)	0.26 (0.6 lbs)		
DSI-4400-30-25I	DSI-4400-30-25E	30	280 (11")	250 (9-27/32")	90 (3-9/16")	0.56 (1.2 lbs)	0.59 (1.3 lbs)		
DSI-4400-30-30I	DSI-4400-30-30E		330 (12")	300 (11-13/16")		0.51 (1.1 lbs)	0.50 (1.1 lbs)		
DSI-4400-30-35I	DSI-4400-30-35E		380 (14-15/16")	350 (13-25/32")		0.71 (1.6 lbs)	0.57 (1.3 lbs)		
DSI-4400-30-60I	DSI-4400-30-60E		630 (24-13/16")	600 (23-5/8")		1.09 (2.4 lbs)	1.09 (2.4 lbs)		

DOOR HANDLE



DSI-1630



- For use with DSI mounting kits (sold separately, See P.10).
- Please specify Interior/Exterior type when ordering:
 - Posts for Exterior handles are threaded to accept screws.
 - Posts for Interior handles have set screws for DSI mounting kits.
- Similar style to 30 series cabinet handles. (P.38)



Material	Finish
304 Stainless Steel	Satin

Item No.		L	C	A	Weight (kg)	Box (pcs)	Carton (pcs)
Interior	Exterior						
DSI-1630-30-25I	DSI-1630-30-25E	314 (12-3/8")	250 (9-7/8")	66 (2-19/32")	0.8 (1.8 lbs)	1	10
DSI-1630-30-35I	DSI-1630-30-35E	430 (16-15/16")	350 (13-3/4")	74 (2-29/32")	1.2 (2.7 lbs)		
DSI-1630-30-45I	DSI-1630-30-45E	542 (21-5/16")	450 (17-3/4")	80 (3-5/32")	1.5 (3.3 lbs)		
DSI-1630-30-60I	DSI-1630-30-60E	721 (28-3/8")	600 (23-5/8")	79 (3-7/64")	1.8 (4.0 lbs)		

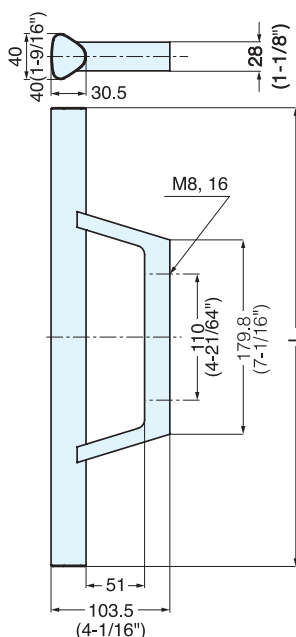
LARGE HANDLE (STRAIGHT DESIGN)



TBH



TBH-600SL



- Revolutionary design aesthetic combines purity of form with solidity of feel.
- Consists of a triangle-shaped bar and a bracket in the center.
- Rich individuality and excellent overall coordination.

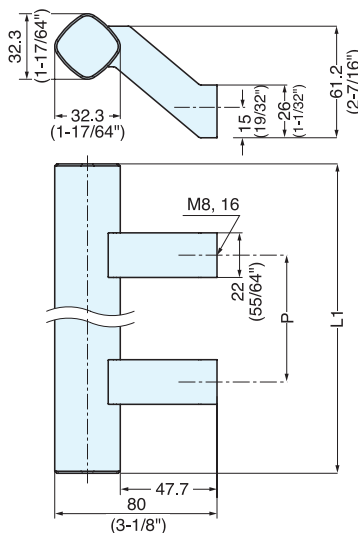
Item No.	Finish(Bar Handle)	L	Weight(g)
TBH-400SL	Silver	400 (15-3/4")	1300
TBH-400BL	Black		
TBH-600SL	Silver	600 (23-5/8")	1770
TBH-600BL	Black		

Part Name	Material	Finish
Bar Handle	Aluminum Alloy	Silver/Black
Bracket	Zinc Alloy	Black

LARGE HANDLE (OFF-SET DESIGN)



SBH



- A minimalist yet functional profile.
- Square handle fits perfectly in the hand.
- The unique design creates the impression of a floating handle.

Item No.	Finish	L ₁	P	Weight(g)
SBH-400SL	Silver	400 (15-3/4")	310 (12-13/64")	893
SBH-400BL	Black			
SBH-600SL	Silver	600 (23-5/8")	510 (20-5/64")	1270
SBH-600BL	Black			
SBH-800SL	Silver	800 (31-1/2")	710 (27-61/64")	1647
SBH-800BL	Black			

Part Name	Material	Finish/Color
Bar Handle	Aluminum Alloy	Silver/Black
Bracket	Zinc Alloy	Black

LARGE HANDLE



MDH

HANDLES

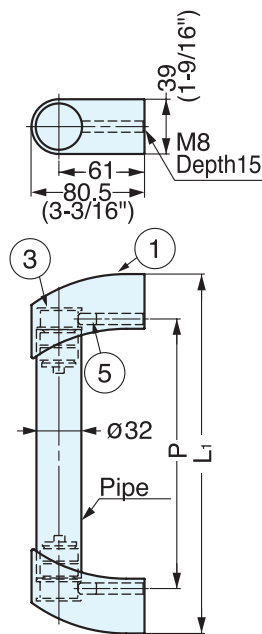
LARGE HANDLES

- Handle bars available in 304 stainless steel (304SS) or carbon fiber reinforced polymer (CFRP). Posts are zinc die cast with a chrome (CR) finish.
- Includes hexagonal M8 × 15 bolts.
- Assembly required.

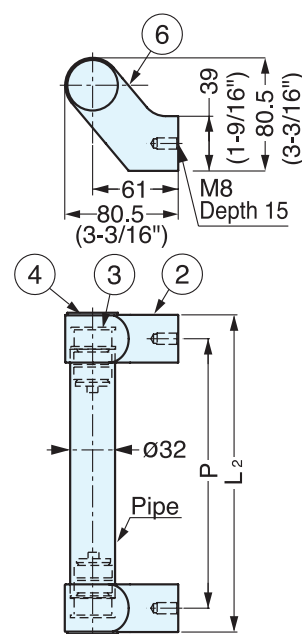


MDH-PS

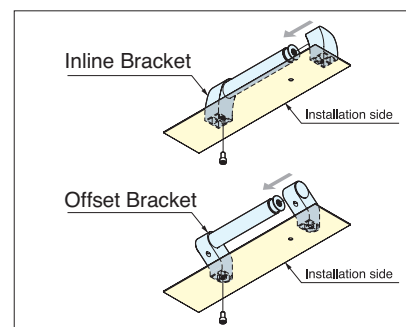
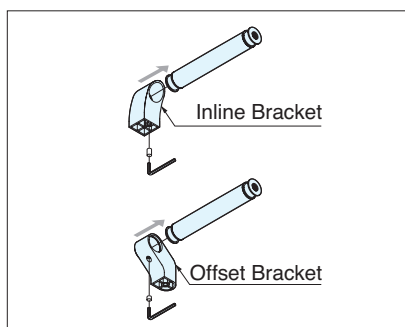
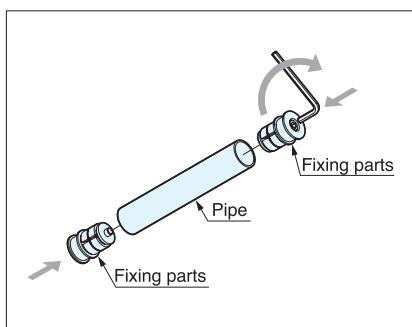
MDH-PC



INLINE



OFFSET



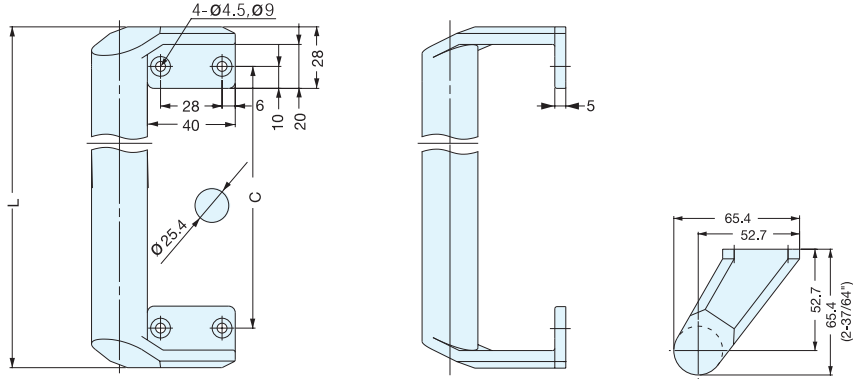
No.	Part Name	Material	Finish/Color
①	Bracket (Straight)	Zinc Alloy	Matte Chrome
②	Bracket (Offset)		
③	Fixing Parts		
④	Cover	Polyacetal	
⑤	HEX set screw M8x15	Stainless Steel	Black
⑥	HEX set screw M8x8		Plain

Item No.		Material	P (mm)	L ₁ (mm)	L ₂ (mm)	Weight (g)	
Inline Posts	Offset Posts					Inline	Offset
MDH-PS192-IH	MDH-PS192-OH	304 Stainless Steel	192 (7-9/16")	256	226	1386	1506
MDH-PS350-IH	MDH-PS350-OH		350 (13-25/32")	414	384	1729	1849
MDH-PS500-IH	MDH-PS500-OH		500 (19-11/16")	564	534	2052	2172
MDH-PS800-IH	MDH-PS800-OH		800 (31-1/2")	864	834	2702	2822
MDH-PS1200-IH	MDH-PS1200-OH		1200 (47-1/4")	1264	1234	3572	3692
MDH-PC192-IH	MDH-PC192-OH	CFRP	192 (7-9/16")	256	226	1072	1192
MDH-PC350-IH	MDH-PC350-OH		350 (13-25/32")	414	384	1134	1254
MDH-PC500-IH	MDH-PC500-OH		500 (19-11/16")	564	534	1193	1313
MDH-PC800-IH	MDH-PC800-OH		800 (31-1/2")	864	834	1311	1431
MDH-PC1200-IH	MDH-PC1200-OH		1200 (47-1/4")	1264	1234	1469	1589

LARGE HANDLE



MP-500, 750, 1000



- Ideal for harsh and high corrosive environments.
- Designed for machinery applications where a heavy duty handle is required.

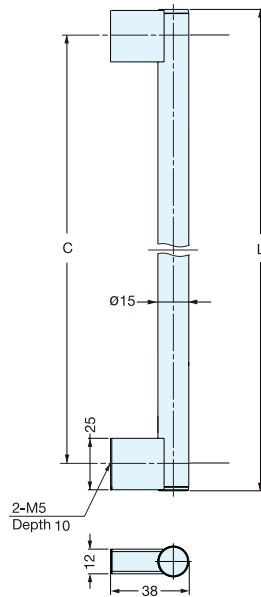
Item No.	L	C	Weight (g)	Box (pcs)	Carton (pcs)
MP-500	500	464 (18-17/64")	1000	2	20
MP-750	750	714 (28-7/64")	1300		16
MP-1000	1000	964 (37-61/64")	1600		12

Material	Finish
316 Stainless Steel	Mirror

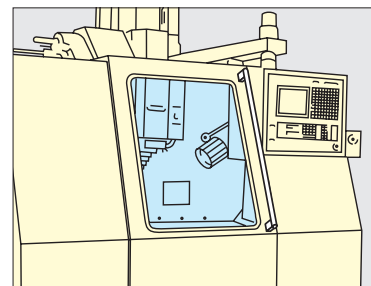
LARGE HANDLE



RH-760



- Low profile design.
- Designed for machinery applications where a heavy duty handle is required.
- Recommended screw size: M5



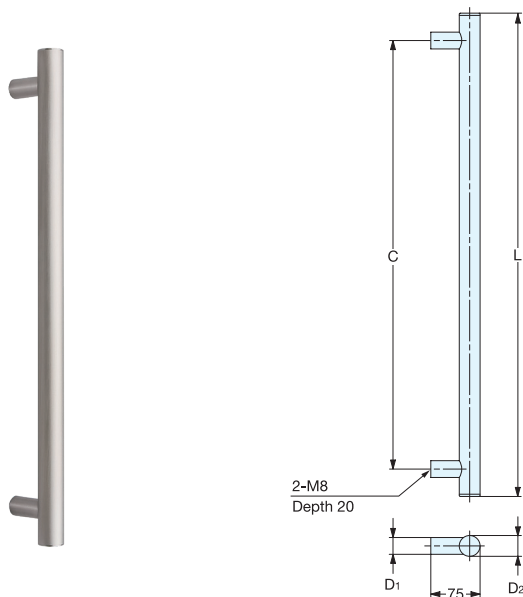
Item No.	L	C	Weight (g)	Box (pcs)	Carton (pcs)
RH-760	786	760 (29-59/64")	340	20	200

Material	Finish
304 Stainless Steel	Satin

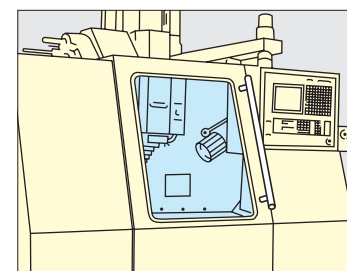
LARGE HANDLE



SSH



- Ideal in high corrosive environments and machinery applications.
- Designed for applications where a heavy duty handle is required.
- Recommended screw size: M8



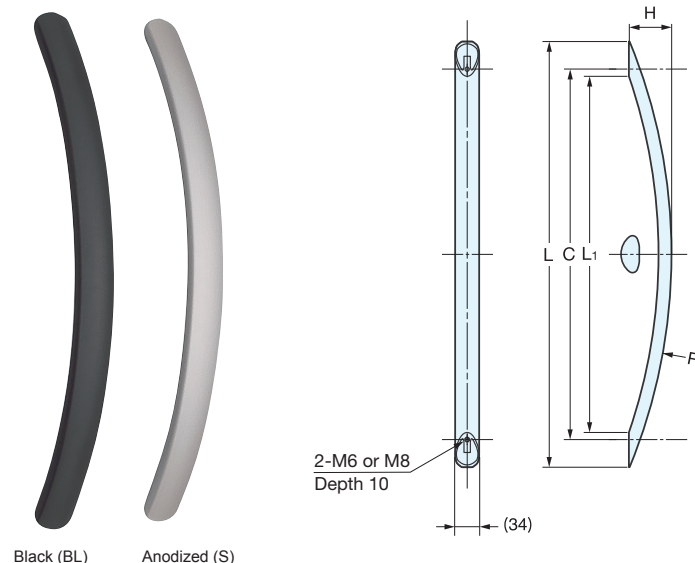
Item No.	L	C	D ₁	D ₂	Weight (g)	Box (pcs)	Carton (pcs)
SSH-2540	400	316 (12-7/16")	19	25	665	10	100
SSH-2560	600	516 (20-5/16")			750		
SSH-2580	800	716 (28-3/16")			840		
SSH-3240	400	316 (12-7/16")	25	32	1175	5	50
SSH-3260	600	516 (20-5/16")			1290		
SSH-3280	800	716 (28-3/16")			1400		

Material	Finish
304 Stainless Steel	Satin

ALUMINUM LARGE HANDLE



SOR



Black (BL) Anodized (S)

- Ideal for machinery applications where a large handle is required.
- Recommended screw size:
M6 (400 and 600)
M8 (800)

Material	Finish
Aluminum	Anodized (S) Black (BL)

Item No.	L	L ₁	C	H	R	Weight (g)	Box (pcs)	Carton (pcs)
SOR-400/S	SOR-400/BL	(390) (15-23/64")	(323)	335 (13-3/16")	(60) (2-23/64")	385	30	300
SOR-600/S	SOR-600/BL	(600) (23-5/8")	(502)	522 (20-35/64")		790	20	200
SOR-800/S	SOR-800/BL	(816) (32-1/8")	(686)	710 (27-61/64")		1440	15	150



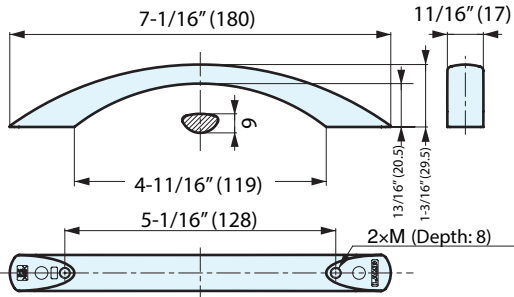
SRH

HANDLES

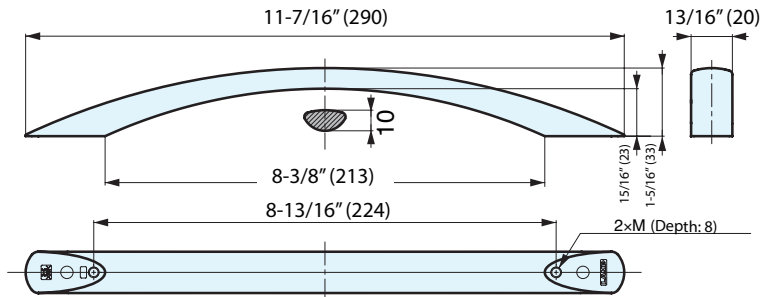
LARGE HANDLE

LARGE HANDLE

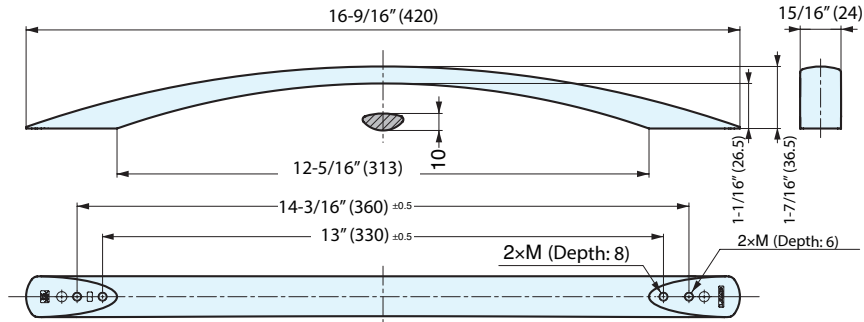
- Silver ion coated handle, ideal for medical and food equipment.
- Sleek, curved design with low profile.
- Available in three sizes and two colors to suit application requirements.



SRH-128



SRH-224



SRH-330

Material	Finish/Color
Aluminum	Anodized (S)/Black (BL)

Item No.	L	L ₁	C	H	Weight (g)	Box (pcs)	Carton (pcs)
SRH-128SL-M4	7-1/16" (180)	119	5-1/16" (128)	1-3/16" (29.5)	68	10	80
SRH-128BL-M4							
SRH-128SL-M5	SRH-128BL-M5						
SRH-224SL-M4	11-7/16" (290)	213	8-13/16" (224)	1-5/16" (33)	130		
SRH-224BL-M4							
SRH-224SL-M5	SRH-224BL-M5						
SRH-330SL-M4	16-9/16" (420)	313	14-3/16" (360)	1-7/16" (36.5)	233	10	40
SRH-330BL-M4							
SRH-330SL-M5	SRH-330BL-M5						

LARGE HANDLE

STAINLESS
304
STEEL

SLH

HANDLES

LARGE HANDLE

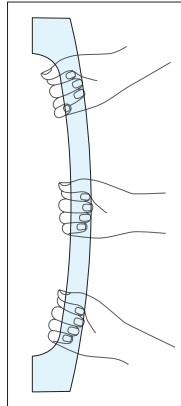
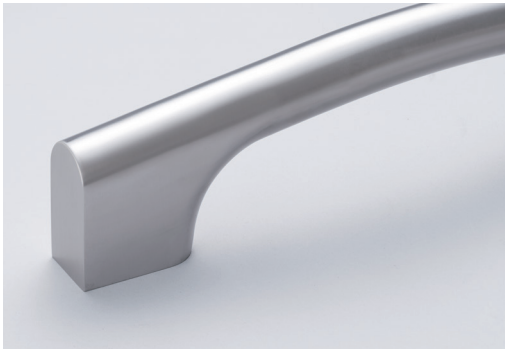
- Stainless steel for high corrosion resistance.
- Has smooth modern shape with a premium satin finish.
- Ergonomically designed to comfortably grab any part of the handle.



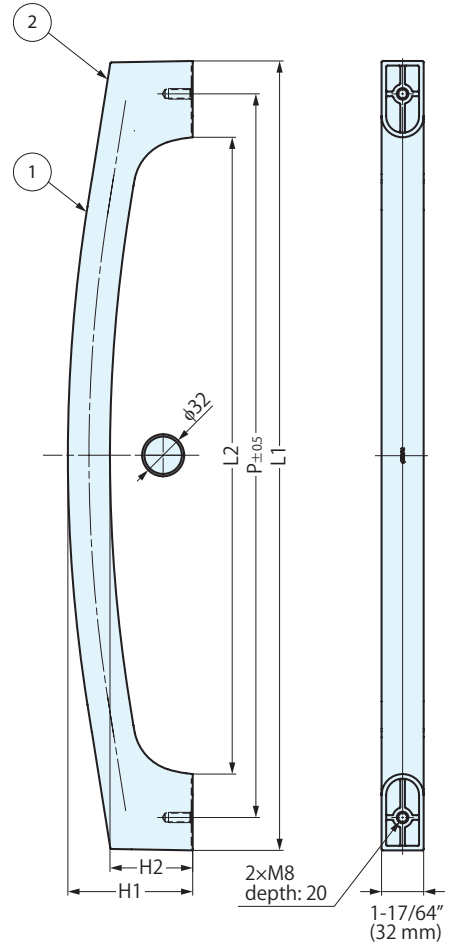
SLH-3240SH

SLH-3260SH

SLH-3280SH



Easy to hold any part of the handle.



No.	Part Name	Material	Finish
①	Bracket	Stainless Steel	Satin
②	Pipe	304 Stainless Steel	

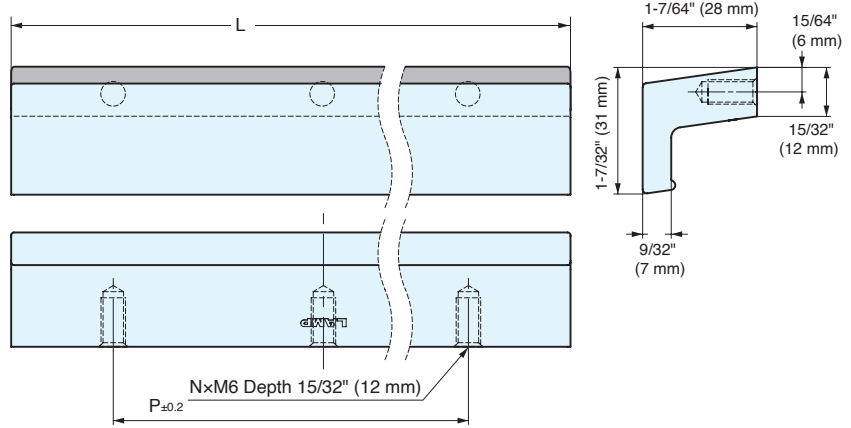
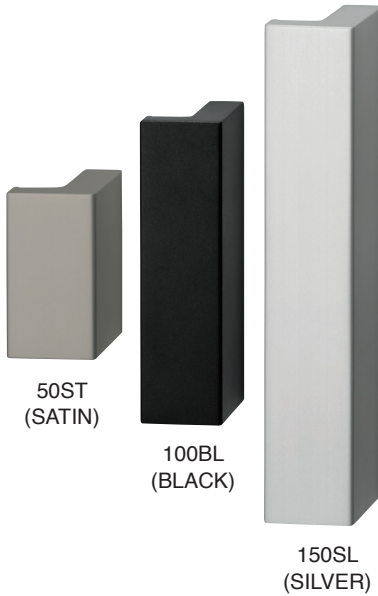
Item No.	L ₁	L ₂	P	H ₁	H ₂	Weight (g)	Box (pcs)	Carton (pcs)
SLH-3240SH	400 (15-3/4")	284 (11-3/16")	350 (13-25/32")	87 (3-27/64")	55 (2-11/64")	2030	5	10
SLH-3260SH	600 (23-5/8")	484 (19-1/16")	550 (21-21/32")	95 (3-47/64")	63 (2-31/64")	2290		
SLH-3280SH	800 (31-1/2")	684 (26-59/64")	750 (29-17/32")	102 (4-1/64")	70 (2-3/4")	2560		

LARGE HANDLE



ALH

- Aluminum casted and ergonomically designed.
- Corrosion Resistant.
- Angled design to reduce dust accumulation.
- Features an anti-slip design.
- Available in a variety of sizes and modern finishes.
- Ideal for medical, laboratory or industrial equipment where durability and aesthetics are required.



The anodized finish over a shot blasted surface produces a balance of *Toughness & Beauty* that can be experienced when people and machine connect.

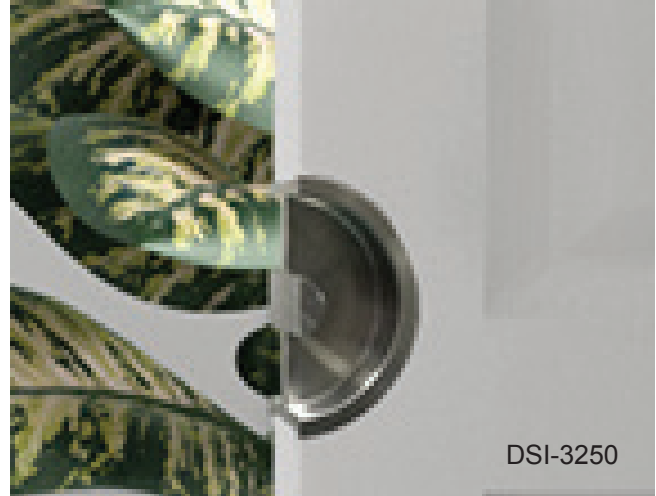


Item No.	Finish	Material	L	P	Load Capacity	Weight (g)	Box (pcs)	Carton (pcs)
ALH-50SL	Matte Silver Anodized	Aluminum Alloy	1-31/32" (50)	1-3/16" (30)	112 lbs (51 kg)	58	10	120
ALH-50BL	Matte Black Anodized							
ALH-50ST	Anodized Satin							
ALH-100SL	Matte Silver Anodized		3-15/16" (100)	2-23/64" (60)		118	10	80
ALH-100BL	Matte Black Anodized							
ALH-100ST	Anodized Satin							
ALH-150SL	Matte Silver Anodized		5-29/32" (150)	3-15/16" (100)		178	10	40
ALH-150BL	Matte Black Anodized							
ALH-150ST	Anodized Satin							
ALH-200SL	Matte Silver Anodized		7-7/8" (200)	2-61/64" (75)		237	6	36
ALH-200BL	Matte Black Anodized							
ALH-200ST	Anodized Satin							
ALH-1000SL	Matte Silver Anodized	39-3/8" (1000)	5-29/32" (150)	1191	6	12		
ALH-1000BL	Matte Black Anodized							
ALH-1000ST	Anodized Satin							



Sliding Door Handles

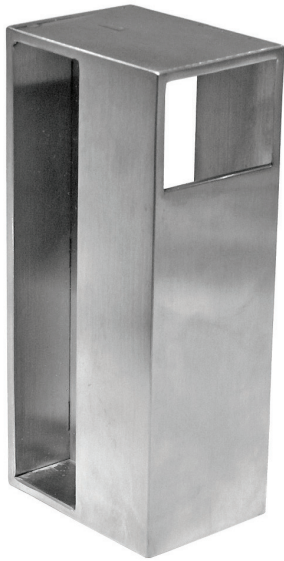
SLIDING DOOR HANDLE



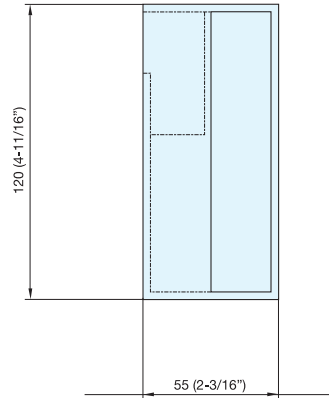
SLIDING DOOR HANDLE

STAINLESS
304
STEEL

DSI-4251



- Contemporary handle design that can be accessed from door front, back, or edge.
- Requires adhesive for installation (such as 2-part epoxy, not supplied.)



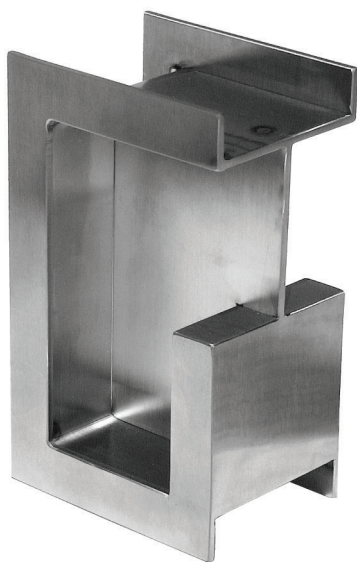
Item No.	A	Weight (g)	Box (pcs)	Carton (pcs)
DSI-4251-35	35.0 (1-3/8")	490 (1.08 lbs)	1	10
DSI-4251-38	38.0 (1-1/2")	515 (1.14 lbs)		
DSI-4251-40	40.0 (1-9/16")	530 (1.17 lbs)		
DSI-4251-43	43.0 (1-11/16")	550 (1.21 lbs)		
DSI-4251-45	44.5 (1-3/4")	570 (1.26 lbs)		
DSI-4251-50	50.0 (1-31/32")	590 (1.30 lbs)		

Material	Finish
304 Stainless Steel	Satin

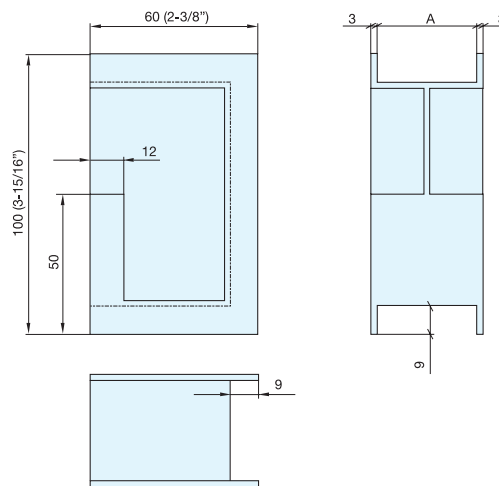
SLIDING DOOR HANDLE

STAINLESS
304
STEEL

DSI-4253



- Contemporary handle design that can be accessed from door front, back, or edge.
- Requires adhesive for installation (Such as 2-part epoxy, not supplied.)



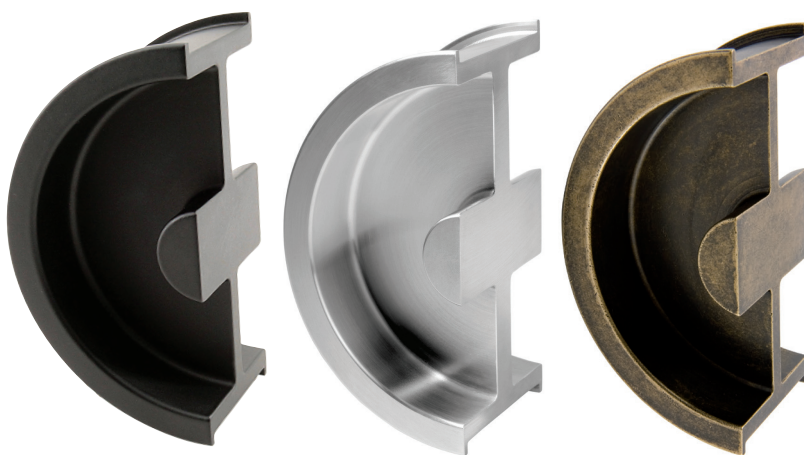
Item No.	A	Weight (g)	Box (pcs)	Carton (pcs)	Material	Finish
DSI-4253-35	35.0 (1-3/8")	495 (1.09 lbs)	1	10	304 Stainless Steel	Satin
DSI-4253-38	38.0 (1-1/2")	505 (1.11 lbs)				
DSI-4253-40	40.0 (1-9/16")	515 (1.14 lbs)				
DSI-4253-43	43.0 (1-11/16")	530 (1.17 lbs)				
DSI-4253-45	44.5 (1-3/4")	545 (1.20 lbs)				

SLIDING DOOR HANDLE

STAINLESS
304
STEEL

BRASS

DSI-3250

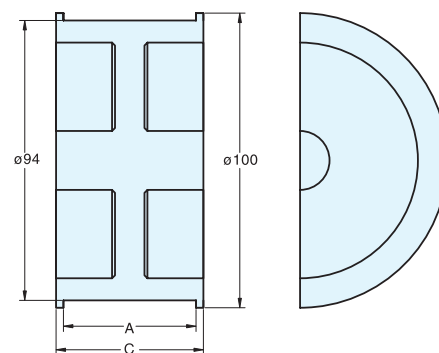


Matte Black

Satin

Antique Brass

- Contemporary handle design that can be accessed from door front, back, or edge.
- Requires adhesive for installation (Such as 2-part epoxy, not supplied.)

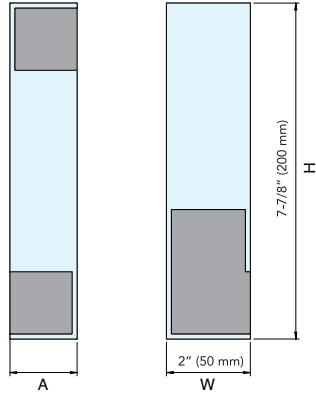


Item No.	C	A	Weight (g)	Box (pcs)	Carton (pcs)	Material	Finish
DSI-3250-12-1	17 (11/16")	12.7 (1/2")	280 (0.6 lbs)	1	10	304 Stainless Steel	Satin, Black (BL)
DSI-3250-35	39 (1-17/32")	35.0 (1-3/8")	440 (0.9 lbs)				
DSI-3250-35-AB							
DSI-3250-35-BL							
DSI-3250-45	49 (1-15/16")	45.0 (1-49/64")	550 (1.2 lbs)				
DSI-3250-45-AB							
DSI-3250-45-BL							
DSI-3250-50	54 (2-1/8")	50.0 (1-31/32")	670 (1.5 lbs)	Brass (AB model only)	Antique Brass (AB)		

SLIDING DOOR HANDLE

STAINLESS
304
STEEL

DSI-4257



- Contemporary handle design that can be accessed from door front, back, or edge.
- Requires adhesive for installation (such as 2-part epoxy, not supplied.)



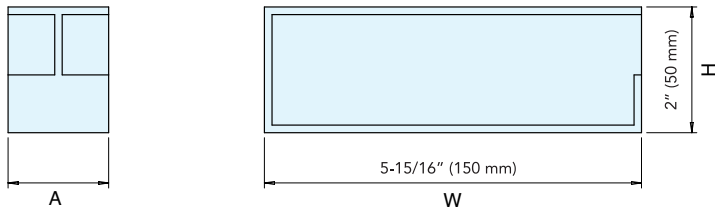
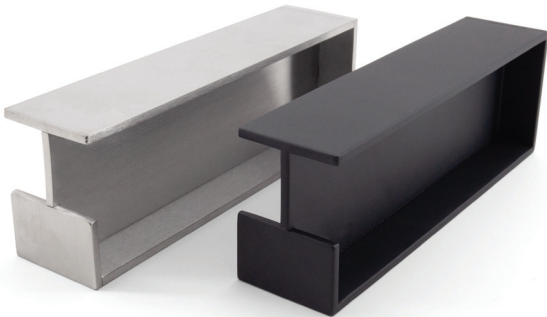
Item No.	W	H	A	Weight (g)	Box (pcs)	Carton (pcs)
DSI-4257-35	2" (50)	7-7/8" (200)	1-3/8" (35)	528	1	8
DSI-4257-45			1-3/4" (45)	625		

Material	Finish
304 Stainless Steel	Satin

SLIDING DOOR HANDLE

STAINLESS
304
STEEL

DSI-4258



- Contemporary handle design that can be accessed from door front, back, or edge.
- Requires adhesive for installation (such as 2-part epoxy, not supplied.)
- Unique, horizontal design for more natural movement.



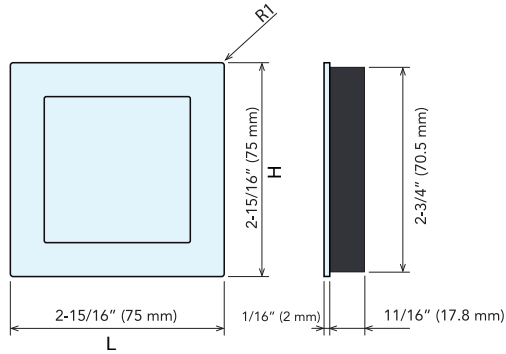
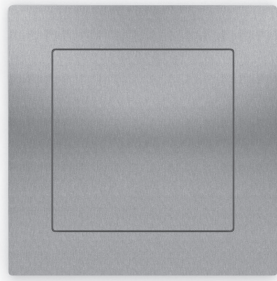
Item No.	W	H	A	Weight (g)	Box (pcs)	Carton (pcs)
DSI-4258-35	5-15/16" (150)	2" (50)	1-3/8" (35)	496	1	18
DSI-4258-35-BL			1-3/8" (35)	496		
DSI-4258-45			1-3/4" (45)	542		
DSI-4258-45-BL			1-3/4" (45)	542		

Material	Finish
304 Stainless Steel	Satin, Black (BL)

RECESSED PULL



DSI-4501



- Modern, unobtrusive design.
- 1/16" (2mm) projection, ideal for furniture or pocket doors.



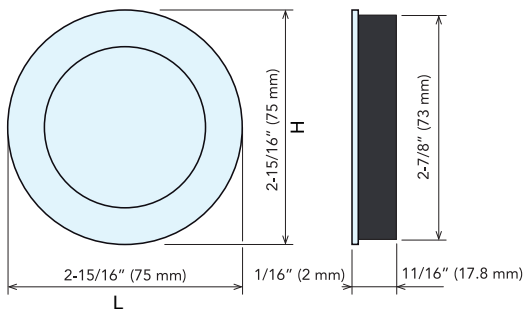
Item No.	L	H	D	Weight (g)	Box (pcs)	Carton (pcs)
DSI-4501-75	2-15/16" (75)	2-15/16" (75)	11/16" (17.8)	141	10	40

Part Name	Material	Finish
Faceplate, Ring	304 Stainless Steel	Satin
Cup	Plastic	Black
Spring	Steel	-

RECESSED PULL



DSI-4502



- Modern, unobtrusive design.
- 1/16" (2mm) projection, ideal for furniture or pocket doors.



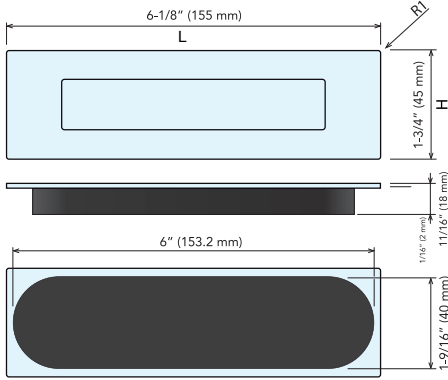
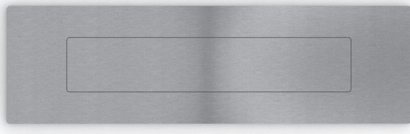
Item No.	L	H	D	Weight (g)	Box (pcs)	Carton (pcs)
DSI-4502-75	2-15/16" (75)	2-15/16" (75)	11/16" (17.8)	122	10	40

Part Name	Material	Finish
Faceplate, Ring	304 Stainless Steel	Satin
Cup	Plastic	Black
Spring	Steel	-

RECESSED PULL

STAINLESS
304
STEEL

DSI-4503



- Modern, unobtrusive design.
- 1/16" (2mm) projection, ideal for furniture or pocket doors.



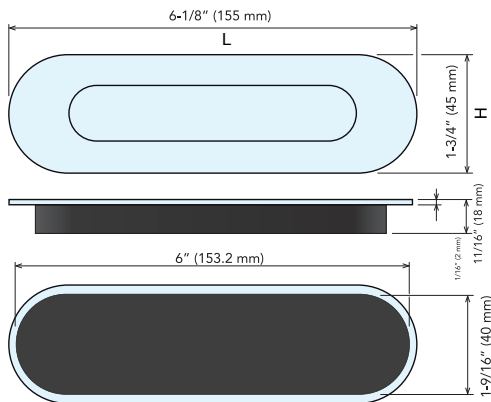
Item No.	L	H	D	Weight (g)	Box (pcs)	Carton (pcs)
DSI-4503-155	6-1/8" (155)	1-3/4" (45)	11/16" (18)	173	10	40

Part Name	Material	Finish
Faceplate, Ring	304 Stainless Steel	Satin
Cup	Plastic	Black
Spring	Steel	-

RECESSED PULL

STAINLESS
304
STEEL

DSI-4504



- Modern, unobtrusive design.
- 1/16" (2mm) projection, ideal for furniture or pocket doors.



Item No.	L	H	D	Weight (g)	Box (pcs)	Carton (pcs)
DSI-4504-155	6-1/8" (155)	1-3/4" (45)	11/16" (18)	170	10	40

Part Name	Material	Finish
Faceplate, Ring	304 Stainless Steel	Satin
Cup	Plastic	Black
Spring	Steel	-

SLIDING DOOR HANDLE



DSI-3020



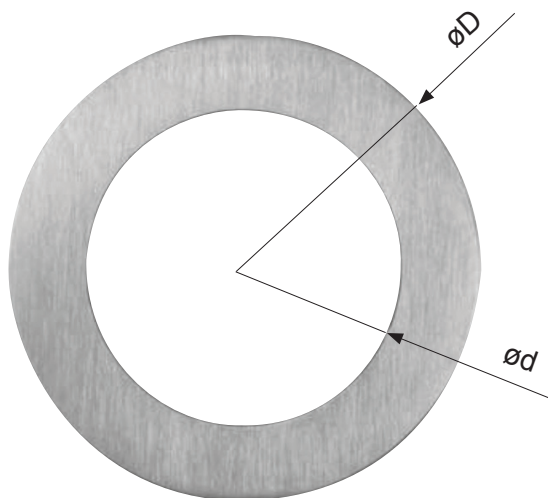
DSI-4020

SLIDING DOOR HANDLE



DSI-3010

- Surface-mount handle.
- Sold as a set. Each set includes 2 metal handles and 1 edge-mounted recessed pull (for use with wood doors).

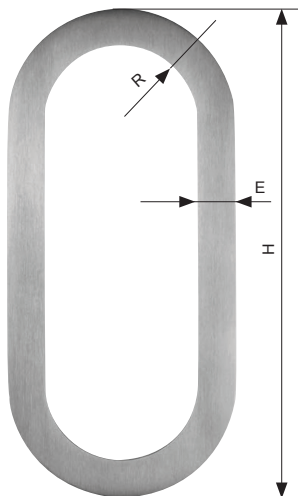


Item No.	D	d	Thickness (mm)	Weight (g)	Box (sets)	Carton (sets)
DSI-3010-40	40 (1-9/16")	24 (15/16")	6 (1/4")	80	1	10
DSI-3010-70	70 (2-3/4")	46 (1-13/16")		140		
DSI-3010-100	100 (3-15/16")	68 (2-11/16")		200		

Material	Finish
304 Stainless Steel	Satin

SLIDING DOOR HANDLE

DSI-3020



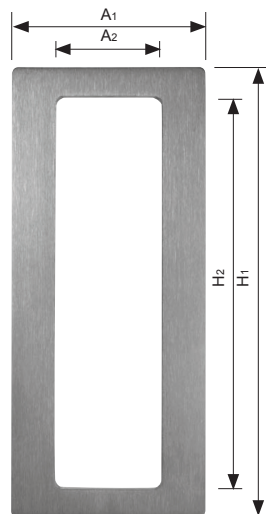
- Surface-mount handle.
- Sold as a set. Each set includes 2 metal handles and 1 edge-mounted recessed pull (for use with wood doors).

Material	Finish
304 Stainless Steel	Satin

Item No.	H	E	R	Thickness (mm)	Weight (g)	Box (sets)	Carton (sets)
DSI-3020-85	85 (3-3/8")	8	12	6 (1/4")	70	1	10
DSI-3020-150	150 (5-7/8")	12	23		125		
DSI-3020-300	300 (11-13/16")	16	24		250		

SLIDING DOOR HANDLE

DSI-4020



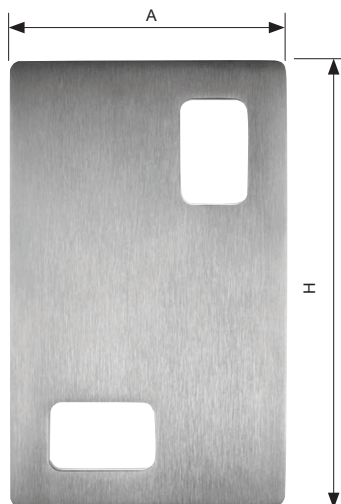
- Surface-mount handle.
- Sold as a set. Each set includes 2 metal handles and 1 edge-mounted recessed pull (for use with wood doors).

Material	Finish
304 Stainless Steel	Satin

Item No.	H ₁	H ₂	A ₁	A ₂	Thickness (mm)	Weight (g)	Box (sets)	Carton (sets)
DSI-4020-85	85 (3-3/8")	65 (2-9/16")	50 (2")	20 (13/16")	6 (1/4")	135	1	10
DSI-4020-150	150 (5-7/8")	130 (5-1/8")	65 (2-9/16")	35 (1-3/8")		240		
DSI-4020-300	300 (11-13/16")	280 (11")	80 (3-3/16")	50 (2")		480		

SLIDING DOOR HANDLE

DSI-4040



- Surface-mount handle.
- Sold as a set. Each set includes 2 metal handles and 1 edge-mounted recessed pull (for use with wood doors).

Material	Finish
304 Stainless Steel	Satin

Item No.	H	A	Thickness (mm)	Weight (g)	Box (sets)	Carton (sets)
DSI-4040-85	85 (3-3/8")	50 (2")	6 (1/4")	70	1	10
DSI-4040-150	150 (5-7/8")	92 (3-5/8")		125		
DSI-4040-300	300 (11-13/16")	185 (7-5/16")		250		



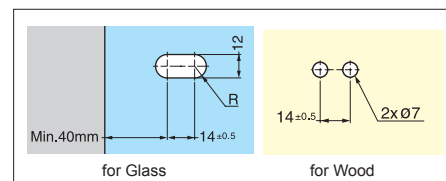
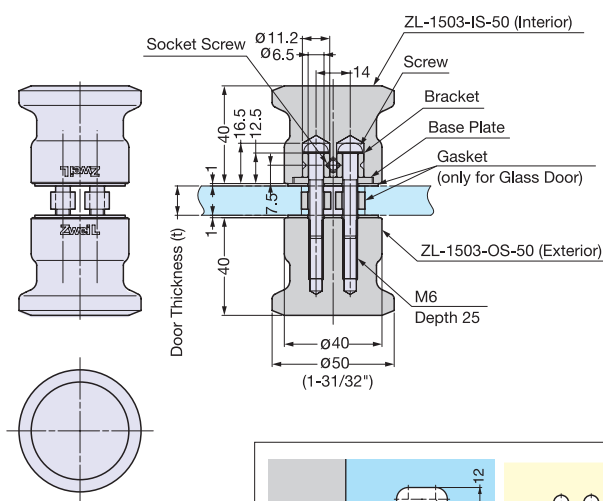
Zwei L Glass Door Knob



ZL-1503



- Door Thickness (t)
 - Wooden/Metal Frame Door: 36~48 mm (1-7/16"~1-7/8")
 - Glass Door: 6~12 mm (1/4"~1/2")



Item No.	Type	Material	Finish/Color	Weight (g)	Box (pcs)
ZL-1503-IS-50	Interior Knob	316 Stainless Steel	Zwei L	480	1
ZL-1503-OS-50	Exterior Knob			507	1
ZL-1503-WN-50*	Back-to-Back Knob			1000	1

*Back-to-Back type includes 2 knobs, screw set and allen key.

Cut out dimensions

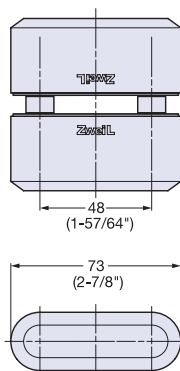
Zwei L Glass Door Pull



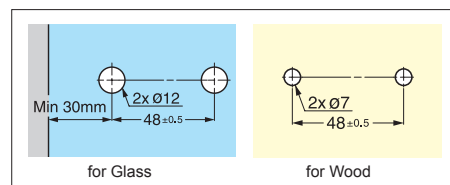
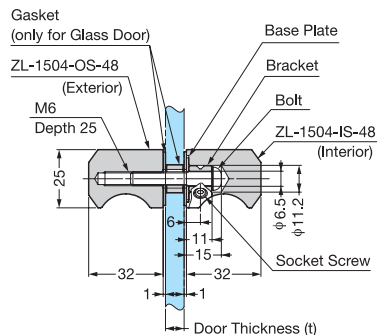
ZL-1504

HANDLES

Zwei L GLASS DOOR PULLS



- Door Thickness (t)
 - Wooden/Metal Frame Door: 36~48 mm (1-7/16"~1-7/8")
 - Glass Door: 6~12 mm (1/4"~1/2")
 - Hardware set for glass only included in back to back set.



Cut out dimensions

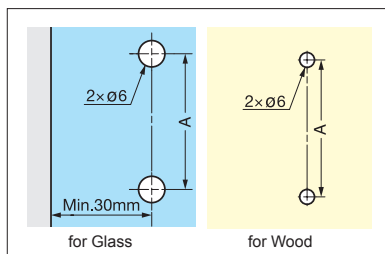
Item No.	Type	Material	Finish/Color	Weight (g)	Box (pcs)
ZL-1504-IS-48	Interior Pull	316 Stainless Steel	Zwei L	432	1
ZL-1504-OS-48	Exterior Pull			462	
ZL-1504-WN-48*	Back-to-Back Pull			989	

*Back-to-Back type includes 2 knobs, screw set and allen key.

Zwei L Glass Door Pull

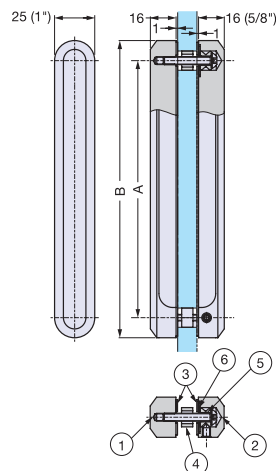


ZL-1505



Cut out dimensions

- Door Thickness (t)
 - Wooden/Metal Frame Door: 40~46 mm (1-9/16"~1-13/16")
 - Glass Door: 8~12 mm (5/16"~1/2")



Item No.	Type	A	B	Weight (g)	Box (pcs)
ZL-1505-IS-160	Interior Pull	160 (6-19/64")	185 (7-9/32")	563	1
ZL-1505-OS-160	Exterior Pull	160 (6-19/64")	185 (7-9/32")	580	
ZL-1505-WN-160*	Back-to-Back Pull	160 (6-19/64")	185 (7-9/32")	1177	

Item No.	Type	A	B	Weight (g)	Box (pcs)
ZL-1505-IS-320	Interior Pull	320 (12-19/32")	345 (13-37/64")	1023	1
ZL-1505-OS-320	Exterior Pull	320 (12-19/32")	345 (13-37/64")	1052	
ZL-1505-WN-320*	Back-to-Back Pull	320 (12-19/32")	345 (13-37/64")	2109	

*Back-to-Back type includes 2 knobs, screw set and allen key.

No.	Part Name	Material
①	Main Body	316 Stainless Steel
②		316 Stainless Steel
③	Gasket	Elastomer
④	Rubber Ring	Chloroprene Rubber
⑤	Bracket	316 Stainless Steel
⑥	Washer	316 Stainless Steel

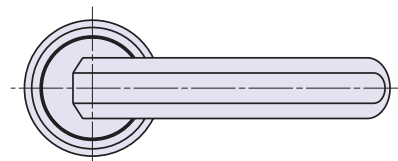
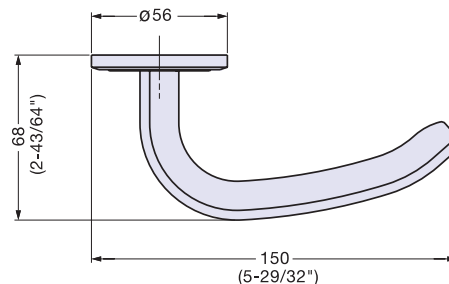
Zwei L Lever Handle

STAINLESS
316
STEEL

ZL-1101



- Non-handed.
- For use with mortise case locks, etc. (Not supplied).



Item No.	Material	Finish/Color	Weight (g)	Box (pcs)
ZL-1101	316 Stainless Steel	Zwei L	1205	1

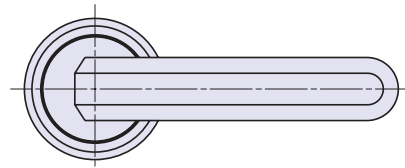
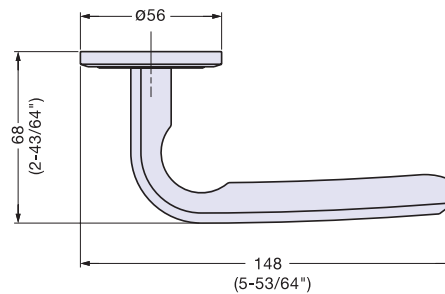
Zwei L Lever Handle

STAINLESS
316
STEEL

ZL-1102



- Non-handed.
- For use with mortise case locks, etc. (Not supplied).



Item No.	Material	Finish/Color	Weight (g)	Box (pcs)
ZL-1102	316 Stainless Steel	Zwei L	1133	1

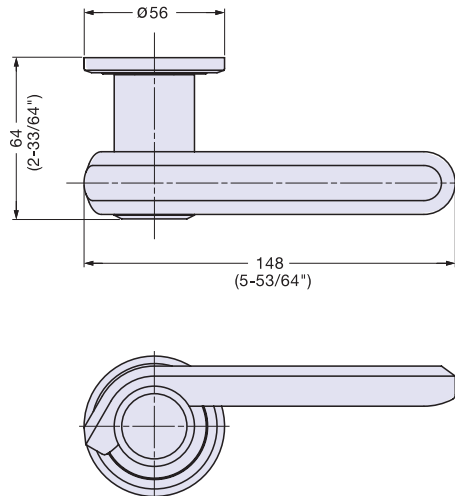
Zwei L Lever Handle



ZL-1103



- Non-handed.
- For use with mortise case locks, etc. (Not supplied).



Item No.	Material	Finish/Color	Weight (g)	Box (pcs)
ZL-1103	316 Stainless Steel	Zwei L	1751	1

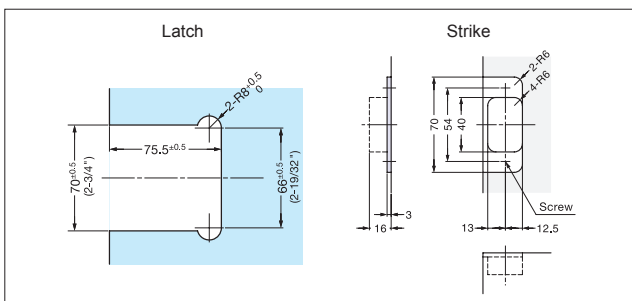
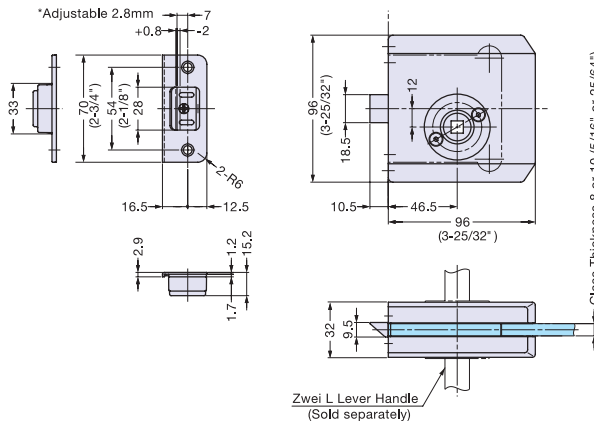
Zwei L Glass Door Latch



ZL-1601



- Lever handle not included.
- Can be used with ZL-1101, ZL-1102 and ZL-1103 lever handles.
- Includes strike.



ZL-1601-2 is shown.

Cut out Dimensions

Item No.	Material	Finish/Color	Handing	Weight (g)	Box (pcs)
ZL-1601-1	316 Stainless Steel	Zwei L	Right Hand Opening Away/Left Hand Opening Towards	970	1
ZL-1601-2			Left Hand Opening Away/Right Hand Opening Towards		

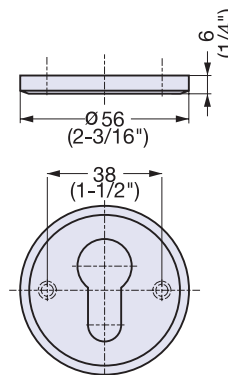
Zwei L Escutcheon

STAINLESS
316
STEEL

ZL-1202



- Ø56 (Material: 316 Stainless Steel).
- Please use ZL-1403 for thumbturn knob (P.27).



Item No.	Material	Finish/Color	Weight (g)	Box (pcs)
ZL-1202	316 Stainless Steel	Zwei L	150	1

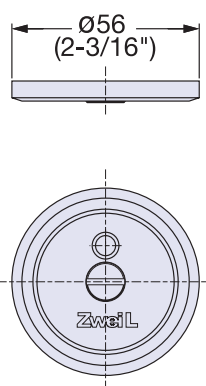
Zwei L Indicator

STAINLESS
316
STEEL

ZL-1301-INR



- Ø56 (Material: 316 Stainless Steel).



Item No.	Material	Finish/Color	Weight (g)	Box (pcs)
ZL-1301-INR	316 Stainless Steel	Zwei L	194	1

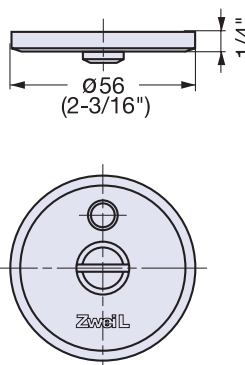
Zwei L Indicator

STAINLESS
316
STEEL

ZL-1302



- Ø56 (Materials: 316 Stainless Steel).
- For use with ZL-1402 (P.27).



Item No.	Material	Finish/Color	Weight (g)	Box (pcs)
ZL-1302	316 Stainless Steel	Zwei L	135	1

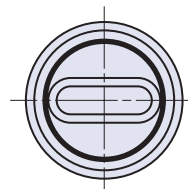
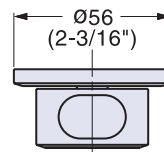
Zwei L Thumbturn

STAINLESS
316
STEEL

ZL-1401-SMR



- Ø56 (Material: 316 Stainless Steel).



Item No.	Material	Finish/Color	Weight (g)	Box (pcs)
ZL-1401-SMR	316 Stainless Steel	Zwei L	305	1

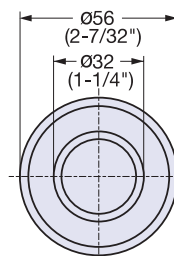
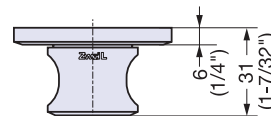
Zwei L Thumbturn

STAINLESS
316
STEEL

ZL-1402



- Ø56 (Material: 316 Stainless Steel).
- For use with ZL-1302 (P.26).
- Please use ZL-1403 for thumbturn knob.



Item No.	Material	Finish/Color	Weight (g)	Box (pcs)
ZL-1402	316 Stainless Steel	Zwei L	251	1

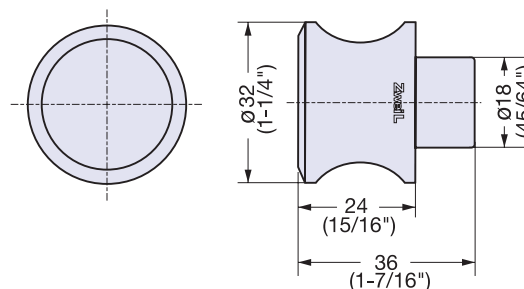
Zwei L Thumbturn Knob

STAINLESS
316
STEEL

ZL-1403



- Ø56 (Material: 316 Stainless Steel).
- For use with profile cylinder, etc. (Not supplied).
- Works with ZL-1202 (P.26).
- Does not work with indicators.



Item No.	Material	Finish/Color	Weight (g)	Box (pcs)
ZL-1403	316 Stainless Steel	Zwei L	198	1